

LUMILAND®

LUMILAND®



FURNITURE
LIGHTING
SPECIALIST

General catalogue 2024-2025

FURNITURE LIGHTING SPECIALIST



Marketing:

Addr.: Room 1401 Tower 2, Phase 1 of Excellence City, No. 128 Zhongkang Rd,
Futian District, Shenzhen, China, 518049.

Tel: +86 0755-25892286
Http://www.lumilandlighting.com
Email: sales@lumiland.cn

Factory:

Addr.: Floor 8-12, No. 6 Factory Building, Xinghe IMC Industrial Park, No. 333 Zhongkai Rd. 6th,
ZhongKai Hi-tech Industrial Zone Huizhou City, China

Tel: +86 0752-3865586

ABOUT US

Founded in 2004, Lumiland has been focusing on LED furniture lighting solution, and committed to provide cutting-edge design & technology and cost-effective solution through our R&D, supply chain and efficient production teams.

Certified with ISO 9001:2015, the factory covers 6,500+ square meters in Huizhou ZhongKai high-tech industrial park with 200+ employees and 6+ assembly lines of LED SMT, plastic injection and finished product assembly, to ensure production capacity and on-time delivery 3-5 weeks.

The product categories cover LED undercabinet light, LED wardrobe light, LED shelf light, LED reading light, LED linear profile light, UVC germicidal light, multi-function battery light, LED drivers, sensor switches and smart controlling system. Our R&D and marketing team work together to provide innovative products and solutions. OEM and ODM are welcomed, in most cases 3D prototypes of custom designs can be realized and submitted in 1-2 weeks.

We design and manufacture in compliance with CE/SAA/UL/CCC standards, and strictly conduct quality control and inspection through out the whole manufacturing process to ensure customer satisfaction.

LUMILAND®





PRODUCT OVERVIEW

SPECIAL LIGHT



SPOTLIGHT-RECTANGLE



SPOTLIGHT-ROUND



SPOTLIGHT-SQUARE



CCT LIGHT



OVER-CABINET LIGHT



SHELF LIGHT

20777



31038



31039



31045



20536



20542



READING LIGHT

27032,27032A



27030



27018TAC,27018A,27018B



27019TAC,27019A,27019B



27024A



27026TAC,27026A



27027TAC,27027A

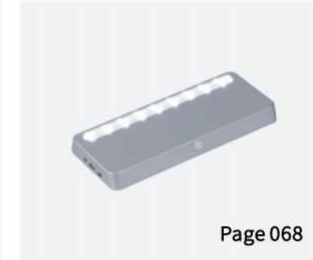


BATTERY LIGHT

20892V



20893



20894B



20898



20900



UVC STERILIZATION LIGHT

20903-UVC-5V



20924-UVC,20924B-UVC



LINEAR PROFILE LIGHT-SURFACE MOUNTED

31134



31035



31056



31137



LINEAR PROFILE LIGHT-SURFACE MOUNTED

31127



Page 084

20923M



Page 086

20916M,20916P



Page 088

20925A,20925B



Page 090

31121,31121M,31121D



Page 091

20906



Page 092

LINEAR PROFILE LIGHT- RECESSED MOUNTED

31132,31132K,31132M



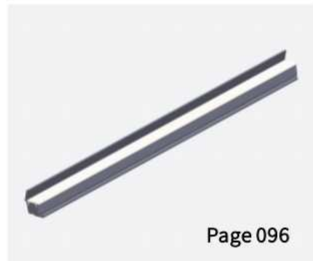
Page 094

31138,31138D,31138M,31138P,31138C



Page 095

31126



Page 096

31119A,31119C



Page 097

31117,31117P



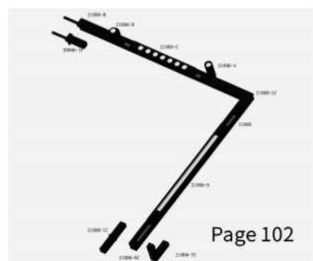
Page 098

21800



Page 100

21806



Page 102

FLEXIBLE STRIPS

L0308/L0410/L0612



Page 103

L01-2835-060/120/168



Page 104

LED DRIVER

LDV



Page 107

LDE-A



Page 108

OYH



Page 109

LDJ



Page 110

LDN



Page 111

LDL



Page 112

LOW VOLTAGE SENSOR

96691



Page 113

96692



Page 114

96659W,96659M,96659D



Page 115

96607B,96617B,96637B



Page 116

LOW VOLTAGE SENSOR

96608B,96608S,96608C



Page 117

96618B,96618S,96618C



Page 118

96638B,96648P,96677P



Page 119

96648D,96648D-B,96678D



Page 120

96661D,96663D,96663



Page 121

96652,96653



Page 122

LOW VOLTAGE SENSOR (DOUBLE DETECTOR)

96609B,96609S,96609C



Page 123

96619B,96619S,96619C



Page 124

96638CB2,96677P2



Page 125

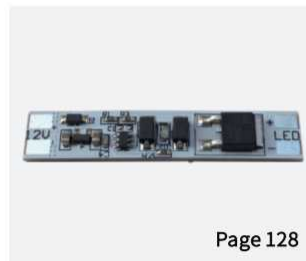
96647D,96678D2



Page 126

SENSOR PCB

31201D



Page 128

31021M



Page 128

96683MD



Page 128

96655P



Page 128

MAINS VOLTAGE SENSOR

96601B,96601S,96601C



Page 129

96602B,96602S,96602C



Page 130

96611B,96611S,96611C



Page 131

96612B,96612S,96612C



Page 132

96631



Page 133

96632



Page 133

RF WIRELESS SENSOR

96660,96660-8A



Page 135

96668D,96668D-8A



Page 136

96669,96669-8A



Page 137

96680,96680-8A



Page 138

96666PD,96666PD-8A



Page 139

96675P,96675P-8A



Page 140

96675,96675-8A



Page 141

96686,96686-8A



Page 142

96660C,96660C-8A



Page 144

96668CD,96668CD-8A



Page 145

96666CPD,96666CPD-8A



Page 146

96675CP,96675CP-8A



Page 147

967WR-8A



Page 148



20855/20855M

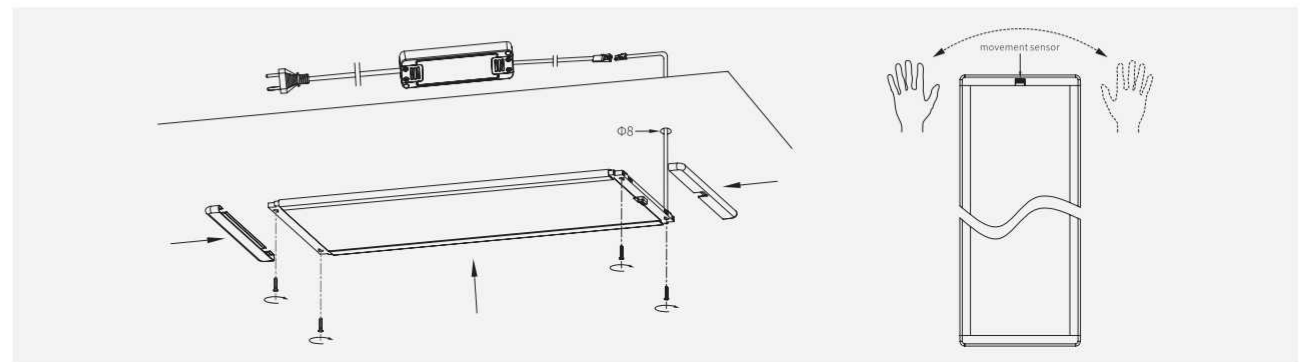
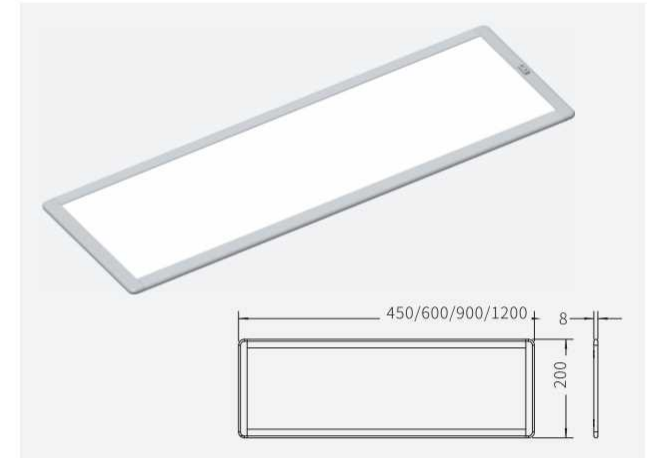
LED CABINET, WARDROBE LIGHT

Product Features

Ultra-thin flat panel design--only 8mm height
 Side glowing with light guide plate creates extraordinary light effect
 Built-in movement sensor for smart control(optional)
 Different length options

Application scenarios

Undercabinet in kitchen
 Background light source for worktop
 Wall cupboard



Item No.	20855M-450	20855M-600	20855M-900	20855M-1200
Operating voltage	12V			
LED type & quantity	78pcs 2835	102pcs 2835	156pcs 2835	210pcs 2835
Colour temperature	3000/4000/6000K			
Power consumption	12W	15W	21W	29W
Luminous flux	650-700lm	900-1000lm	1500-1600lm	1850-1950lm
Luminous efficiency	55lm/W	63lm/W	65lm/W	75lm/W
Colour rendering index	80			
Efficiency	G			
IP rating	IP20			
Sensor switch	Movement switch			
Material	Aluminum, PC			
Finish/Color	Silver grey			
Installation	Surface mounted with screw			
Dimension(mm)	L450×W200×H8mm	L600×W200×H8mm	L900×W200×H8mm	L1200×W200×H8mm
Supplied with	1500mm cable and plug, 4pcs screws for installation	1500mm cable and plug, 4pcs screws for installation	1500mm cable and plug, 8pcs screws for installation	1500mm cable and plug, 8pcs screws for installation



20854/20854M/20854C

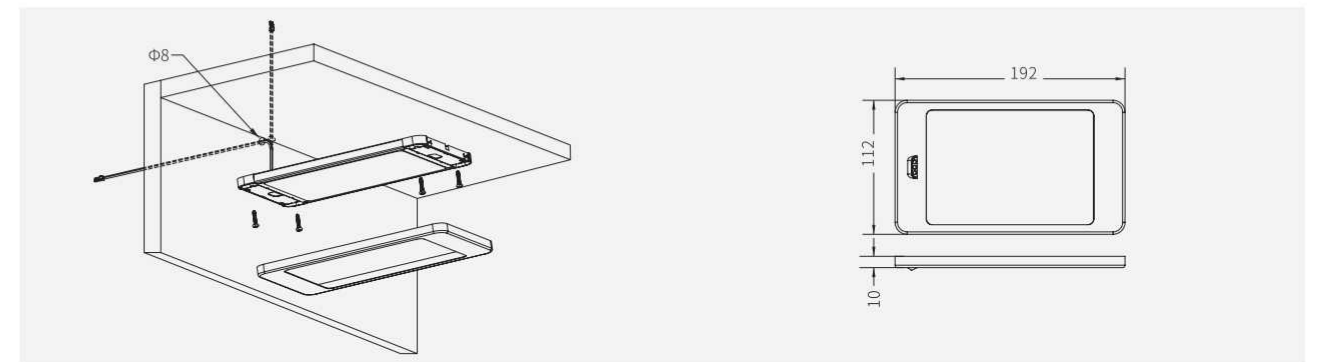
LED CABINET, WARDROBE LIGHT

Product Features

Flat panel design
Side glowing with LGP creates extraordinary light effect
Built-in movement sensor for smart control (optional)

Application scenarios

Undercabinet in kitchen



Item No.	20854	20854M	20854C
Operating voltage	12V		
LED type & quantity	40pcs 2835		42pcs 2835
Colour temperature	3000/4000/6000K		3000-6500K
Power consumption	6W		
Luminous flux	340lm		290lm
Luminous efficiency	56lm/W		48lm/W
Colour rendering index	80		
Efficiency	G		
IP rating	IP20		
Sensor switch	N/A	Movement sensor switch	CCT color changing
Material	Aluminum, PC		
Finish/Color	Silver grey		
Installation	Surface mounted with screw		
Dimension(mm)	L192×W112×H12.5mm		
Supplied with	1500mm cable and plug, 4pcs screws for installation		



20728/20728M/20728C

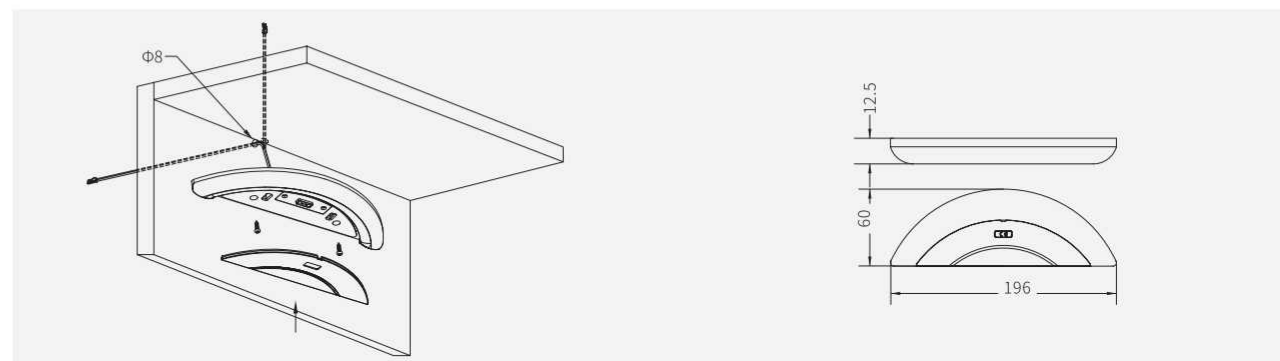
LED CABINET, WARDROBE LIGHT

Product Features

Elegant arc design of smoothly curving line
 Built-in movement sensor for smart control (optional)
 Simple surface installation with screw

Application scenarios

Undercabinet in kitchen



Item No.	20728	20728M	20728C
Operating voltage	12V		
LED type & quantity	28pcs 2835		56pcs 3014
Colour temperature	3000/4000/6000K		3000-6500K
Power consumption	3.5W		
Luminous flux	350-400lm		300lm
Luminous efficiency	110lm/W		85lm/W
Colour rendering index	80		
Efficiency	E		
IP rating	IP20		
Sensor switch	N/A	Movement sensor switch	CCT color changing
Material	PC		
Finish/Color	Silver grey		
Installation	Surface mounted with screw		
Dimension(mm)	L196×W60×H12.5mm		
Supplied with	1500mm cable and plug, 2pcs screws for installation		1500mm cable and plug



20891/20891D/20891C/20891DC

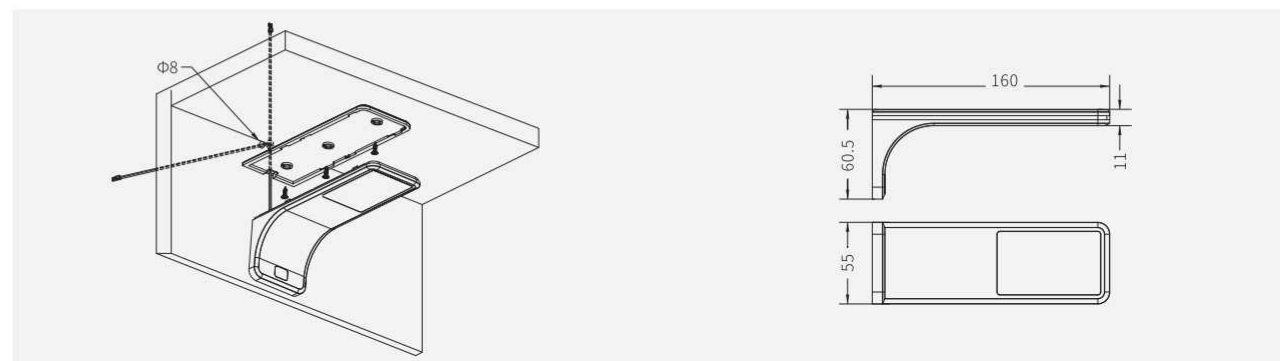
LED CABINET, WARDROBE LIGHT

Product Features

- L shape support design
- Built-in touch switch and dimmer for smart control (optional)
- Simple surface installation with screw

Application scenarios

Undercabinet in kitchen



Item No.	20891	20891D	20891C	20891DC
Operating voltage	12V			
LED type & quantity	36pcs 3014		72pcs 3014	
Colour temperature	3000/4000/6000K		3000-6500K	
Power consumption	3.5W			
Luminous flux	170lm			
Luminous efficiency	48lm/W			
Colour rendering index	80			
Efficiency	G			
IP rating	IP20			
Sensor switch	N/A	Touch switch and dimmer	CCT color changing	Touch switc & dimmer & CCT
Material	PC			
Finish/Color	Silver grey			
Installation	Surface mounted with screw			
Dimension(mm)	L160×W55×H60.5mm			
Supplied with	1500mm cable and plug, 3pcs screws for installation		1500mm cable and plug	



20943/20943M

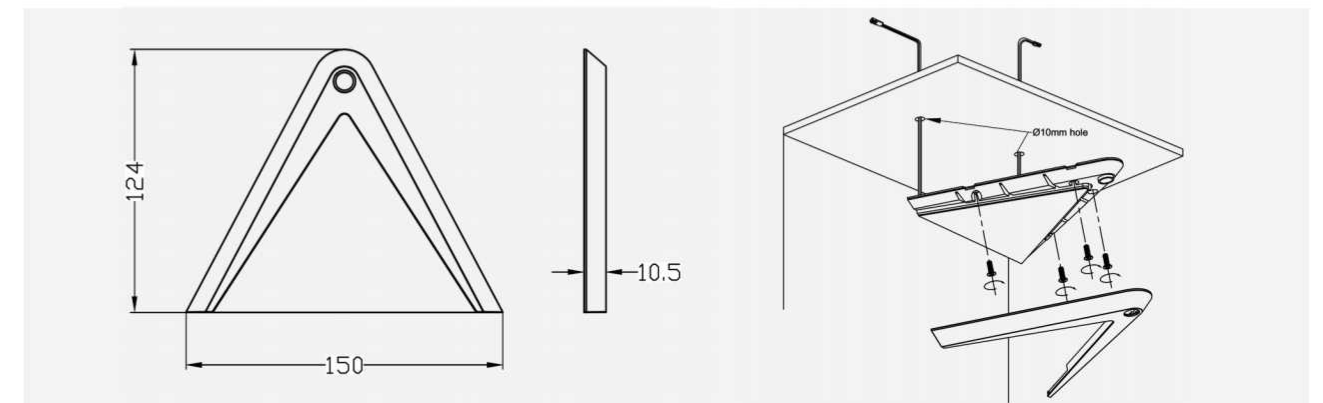
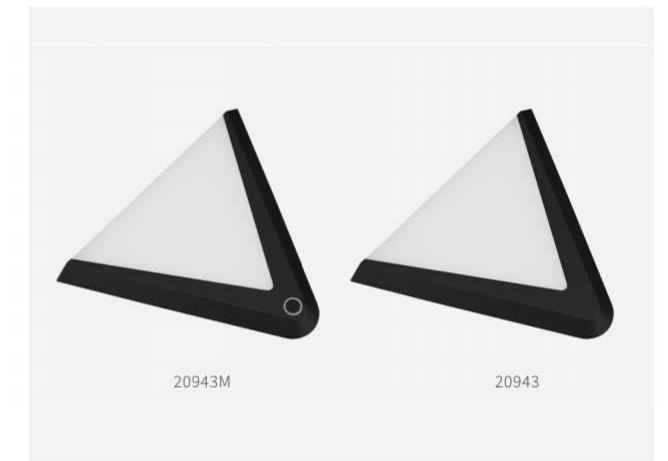
LED CABINET, WARDROBE LIGHT

Product Features

Classic triangle design
 Cost effective ABS housing
 Movement switch and dimmer for smart control
 Simple surface mounted

Application scenarios

Open space of undercabinet, cupboard
 Closet, wardrobe



Model	20943	20943M
Operating voltage	DC 12V	
LED type & quantity	105pcs 2835	
Color temperature	3000/4000/6500K	
Power consumption	3.5W	
Luminous flux	203lm	
Luminous efficiency	58lm/W	
Color rendering index	90	
Efficiency	G	
IP rating	IP20	
Sensor switch	N/A	Movement switch and dimmer
Material	ABS+PC	
Finish/Color	Silver grey/Black	
Installation	Surface mounted with screw	
Dimension L*W*H	L150xW124xH10.5mm	
Supplied with	1500mm cable and plug	



20945/20945M/20945MTC

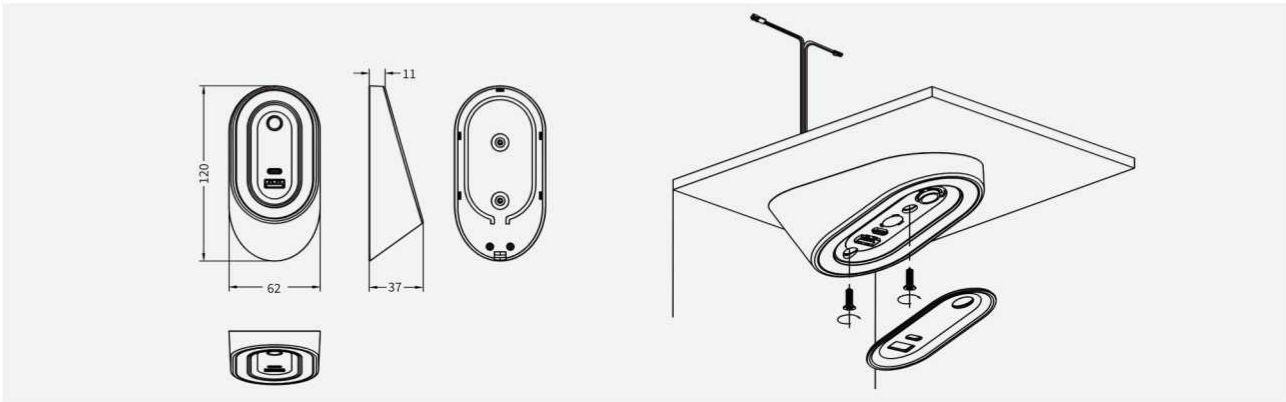
LED CABINET,BED LIGHT with USB

Product Features

- Multi function for illumination and mobile devices charging(USB-A+USB-C)
- Movement switch and dimmer for smart control
- Indicating light to identify sensor in darkness
- Simple surface mounted

Application scenarios

- Open space of undercabinet,cupboard
- Closet, wardrobe



Model	20945	20945M	20945MTC
Operating voltage	DC 12V		
LED type & quantity	54pcs 2835		
Color temperature	3000/4000/6500K		
Power consumption	2.5W		
Luminous flux	85lm		
Luminous efficiency	34lm/W		
Color rendering index	90		
Efficiency	G		
IP rating	IP20		
Sensor switch	N/A	Movement switch and dimmer	Movement switch and dimmer
Material	ABS+PC		
Finish/Color	Silver grey/Black		
Installation	Surface mounted with screw		
Dimension L*W*H	L120xW62xH37mm		
Supplied with	1500mm cable and plug, 2pcs screws for installation		



20879-190/20879C-190

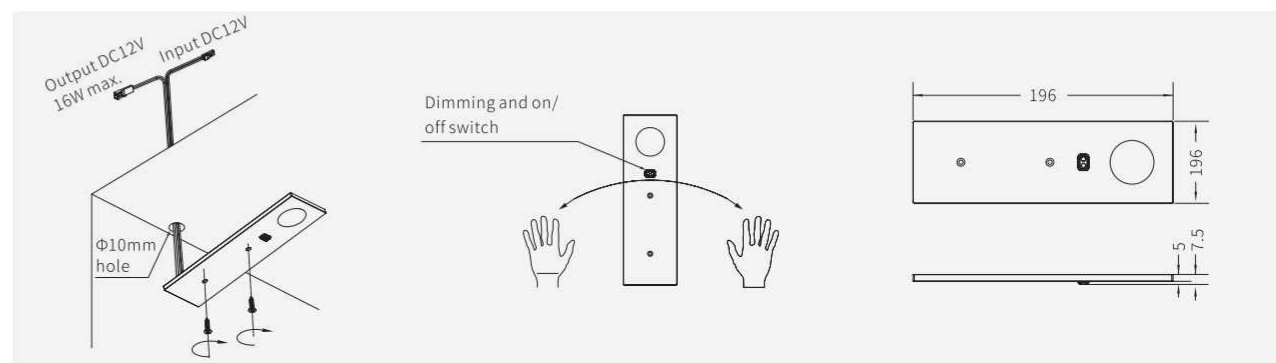
LED CABINET, WARDROBE LIGHT

Product Features

COB LED with excellent lighting performance
 All aluminum body for high-end furniture texture with height 5mm only
 Built-in movement sensor for smart control (optional)
 Simple surface installation with screw

Application scenarios

Undercabinet in kitchen



Item No.	20879-190	20879C-190
Operating voltage	12V	
LED type & quantity	1pcs COB	
Colour temperature	3000/4000/6000K	
Power consumption	3W	
Luminous flux	220-250lm	
Luminous efficiency	73lm/W	
Colour rendering index	80	
Efficiency	G	
IP rating	IP20	
Sensor switch	N/A	Movement switch and dimmer
Material	Aluminum, PC	
Finish/Color	Silver grey	
Installation	Surface mounted with screw	
Dimension(mm)	L190×W60×H5mm	
Supplied with	1500mm cable and plug, 2pcs screws for installation	

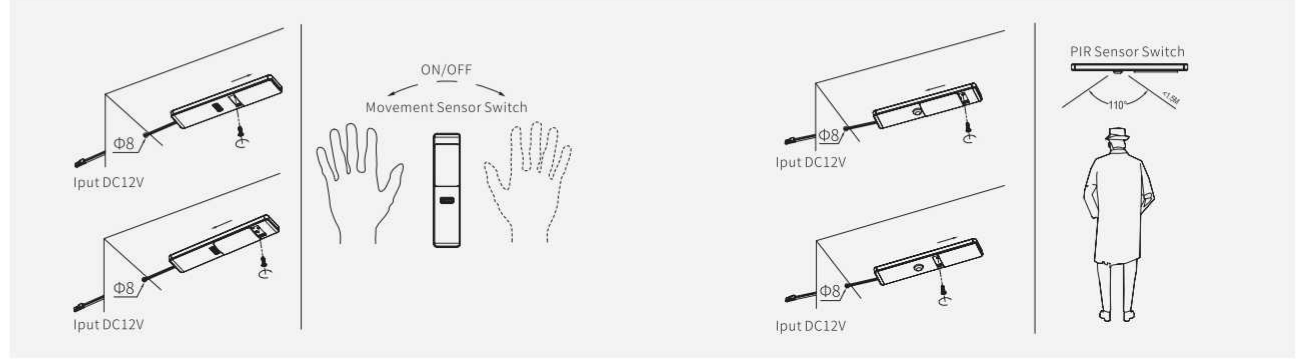
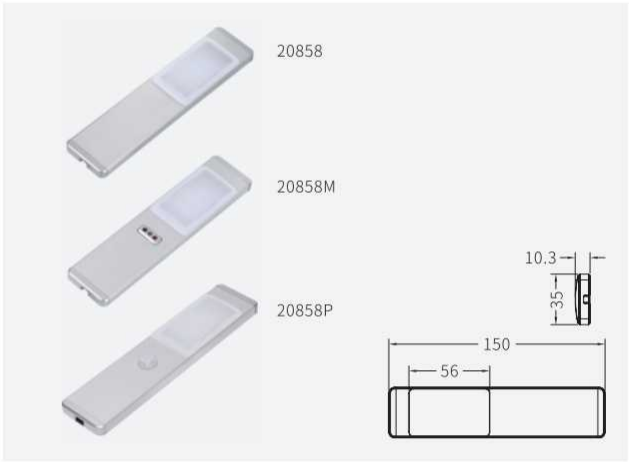


20858/20858P/20858M/20858C

LED CABINET, WARDROBE LIGHT

Product Features
 Compact size with high lumen performance
 All aluminum body for high-end furniture texture
 Optional movement and PIR sensor for smart control
 Simple surface installation with screw

Application scenarios
 Open space of wall cupboard, undercabinet
 Closet, wardrobe with door
 Cloakroom



Item No.	20858	20858M	20858P	20858C
Operating voltage	12V			
LED type & quantity	6pcs 5730			18pcs 3014
Colour temperature	3000/4000/6000K			3000-6500K
Power consumption	2.5W			
Luminous flux	180lm			140lm
Luminous efficiency	72lm/W			56lm/W
Colour rendering index	80			
Efficiency	G			
IP rating	IP20			
Sensor switch	N/A	Movement sensor	PIR sensor	CCT color changing
Material	Aluminum, PC			
Finish/Color	Silver grey			
Installation	Surface mounted with screw			
Dimension(mm)	L150×W35×H10.3mm			
Supplied with	1500mm cable and plug, 2pcs screws for installation			



20850/20850M/20850W

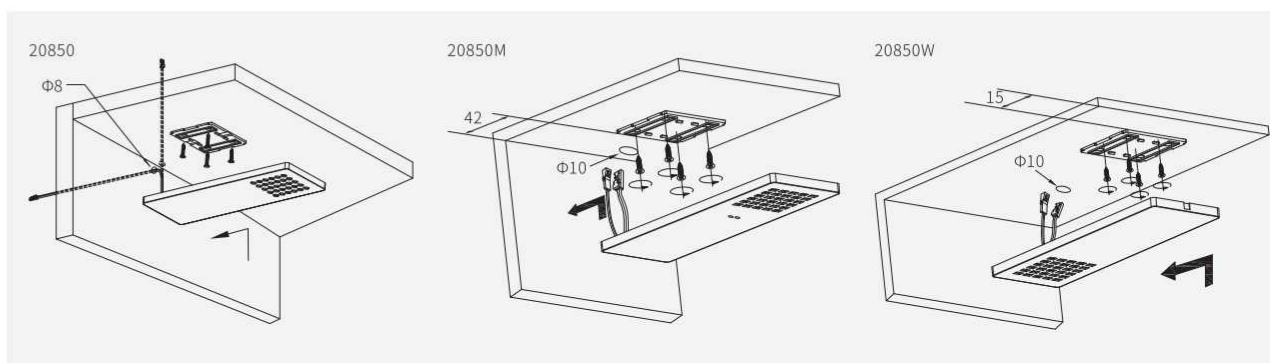
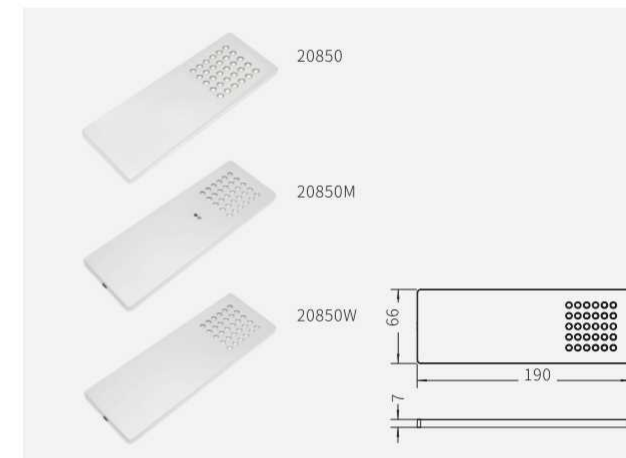
LED CABINET, WARDROBE LIGHT

Product Features

Cost-effective plastic housing with high lumen performance
Optional movement and door sensor for various application
Simple surface installation with screw

Application scenarios

Open space of wall cupboard, undercabinet
Closet, wardrobe with door



Item No.	20850	20850M	20850W
Operating voltage	12V		
LED type & quantity	30pcs 3014		
Colour temperature	3000/4000/6000K		
Power consumption	2.5W		
Luminous flux	170lm		
Luminous efficiency	68lm/W		
Colour rendering index	80		
Efficiency	G		
IP rating	IP20		
Sensor switch	N/A	Movement switch	Door switch
Material	PC		
Finish/Color	Silver grey		
Installation	Surface mounted with screw		
Dimension(mm)	L190×W66×H7mm		
Supplied with	1500mm cable and plug, 4pcs screws for installation		



20881/20881B/20881C/20881CB

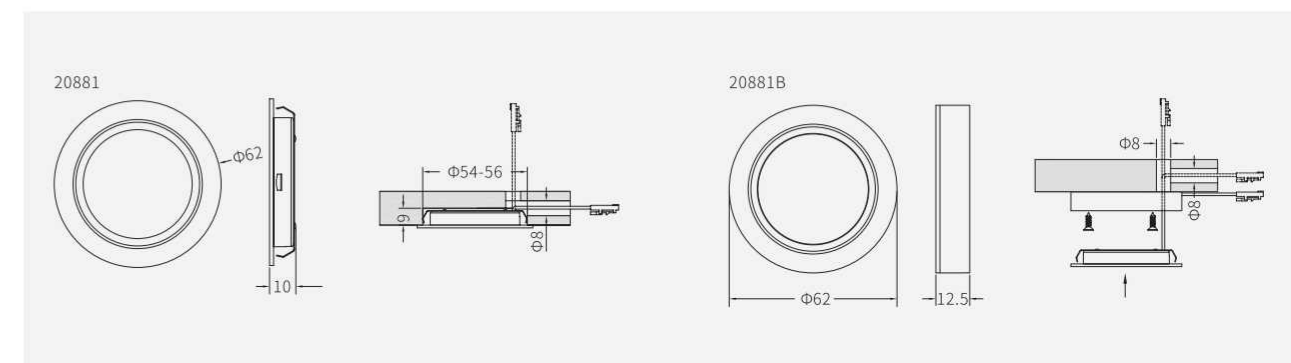
LED CABINET, WARDROBE LIGHT

Product Features

Classic round design
 COB LED with excellent lighting performance
 All aluminum body for high-end furniture texture
 Optional recess and surface installation for various application

Application scenarios

Display shelves, cabinets
 Undercabinets
 Ceiling lighting



Item No.	20881	20881B	20881C	20881CB
Operating voltage	12V			
LED type & quantity	1pcs COB		18pcs 2016	
Colour temperature	3000/4000/6000K		3000-6500K	
Power consumption	3W		2W	
Luminous flux	240lm		140lm	
Luminous efficiency	80lm/W		70lm/W	
Colour rendering index	80			
Efficiency	G			
IP rating	IP20			
Sensor switch	N/A		CCT color changing	
Material	Aluminum, PC			
Finish/Color	Silver grey		Silver grey, satin nickle	
Installation	Recess mounted, cutting hole dia.54-56mm	Surface mounted with screw	Recess mounted, cutting hole dia.54-56mm	Surface mounted with screw
Dimension(mm)	Φ62×H10mm			
Supplied with	1500mm cable and plug	1500mm cable and plug, 2pcs screws for installation	1500mm cable and plug	1500mm cable and plug, 2pcs screws for installation

20668

LED CABINET, WARDROBE SPOT LIGHT

Product Features

Classic round design
High performance spot 3.5W/250lm
Aluminum body

Application Scenarios

Display shelves, cabinets
Undercabinets



20668

20668B

20669R, 20669RB, 20669S, 20669SB

CCT & DIMMABLE CABINET, WARDROBE SPOT LIGHT

Product Features

12-24V compatible
Color temperature adjustable
3-step dimmer
Basic lamp body & optional brackets
High performance spot 3.5W/250lm
Aluminum body

Application Scenarios

Display shelves, cabinets
Undercabinets

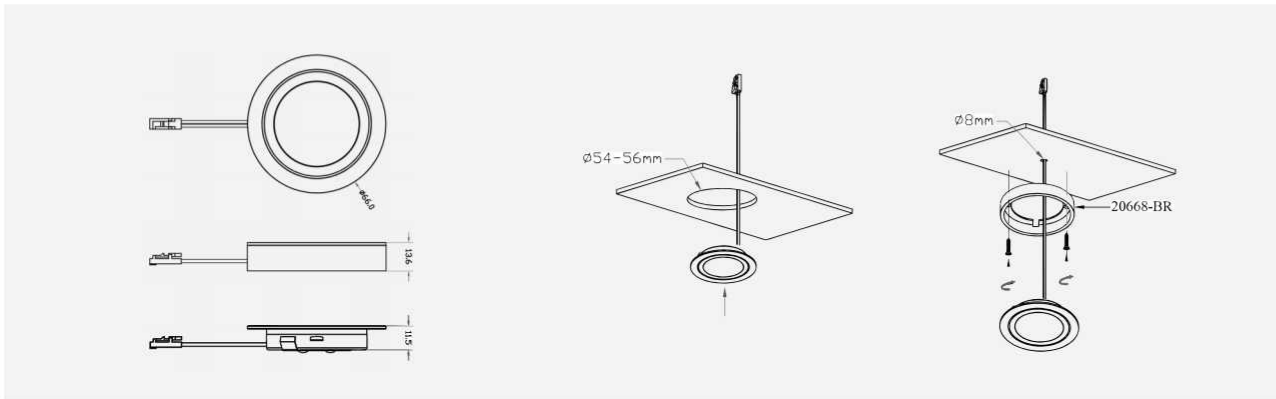


20669R

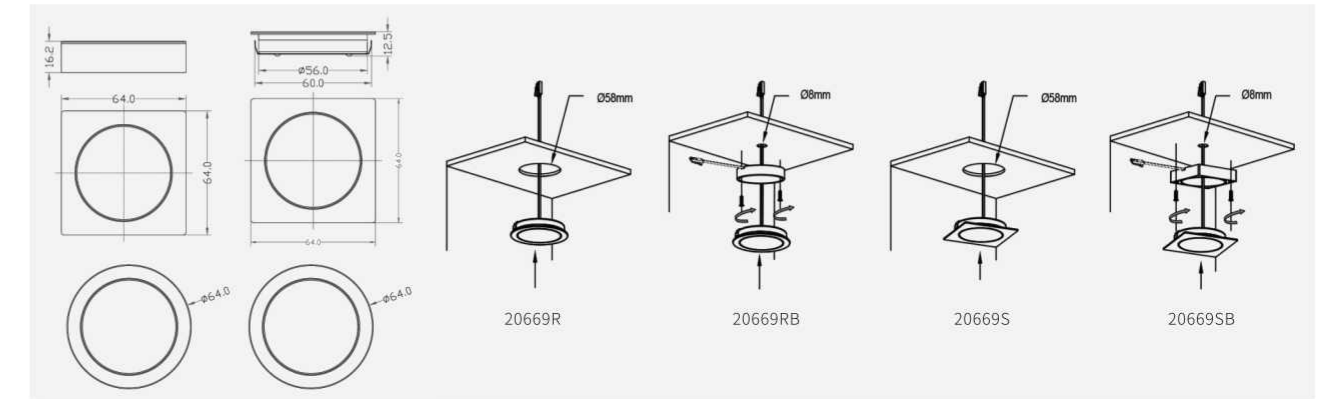
20669RB

20669S

20669SB



Item No.	20668	20668B
Operating voltage	12V	
LED type & quantity	24pcs 2835	
Color temperature	3000/4000/6000K	
Power consumption	3.5W	
Luminous flux	230-250lm	
Luminous efficiency	65lm/W	
Color rendering index	90	
Efficiency	G	
IP rating	IP20	
Sensor switch	N/A	
Material	Aluminum+PC	
Finish color	Silver grey, satin nickle	
Installation	Recess mounted, cutting hole 54-56mm	Surface mounted with screw
Dimension(mm)	Φ66xH11.5mm	Φ66xH13.6mm
Supplied with	1500mm cable and plug	



Item No.	20669R	20669RB	20669S	20669SB
Operating voltage	DC 12V-24V			
LED type & quantity	42pcs 3014			
Color temperature	3000/4000/5000K			
Power consumption	3.5W			
Luminous flux	230lm			
Luminous efficiency	65lm/W			
Color rendering index	90			
Efficiency	G			
IP rating	IP20			
Sensor switch	N/A			
Material	Aluminum+PC			
Finish color	Black, satin nickle			
Installation	Recess mounted	Surface mounted	Recess mounted	Surface mounted
Dimension(mm)	Φ64xH11.2mm	Φ64xH14.7mm	L64*W64xH11.2mm	L64*W64xH16.2mm
Supplied with	1500mm cable and plug			

20870

LED CABINET, WARDROBE LIGHT

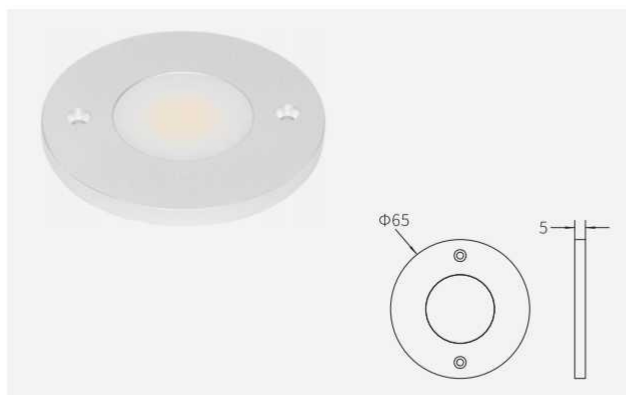


Product Features

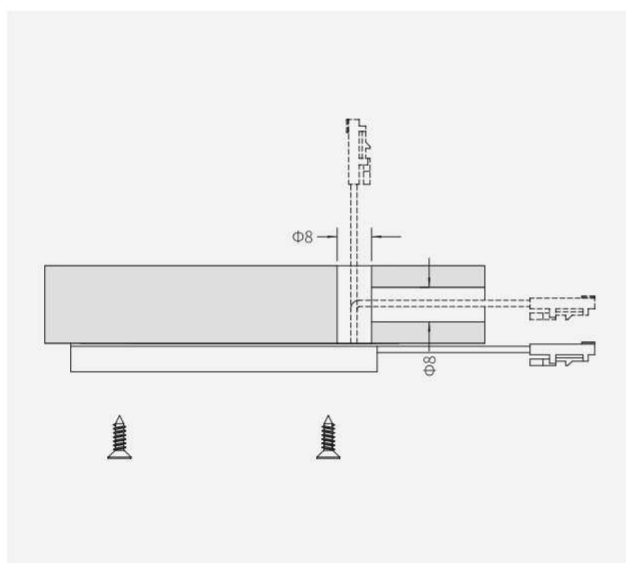
COB LED with excellent lighting performance
All aluminum body for high-end furniture texture
Simple surface installation with screw

Application scenarios

Display shelves, cabinets
Undercabinets



Item No.	20870
Operating voltage	12V
LED type & quantity	1pcs COB
Colour temperature	3000/4000/6000K
Power consumption	3W
Luminous flux	240lm
Luminous efficiency	80lm/W
Colour rendering index	80
Efficiency	G
IP rating	IP20
Sensor switch	N/A
Material	Aluminum, PC
Finish/Color	Silver grey
Installation	Surface mounted with screw
Dimension (mm)	Φ65×H5mm
Supplied with	1500mm cable and plug, 2pcs screws for installation



20878

LED CABINET, WARDROBE LIGHT



Product Features

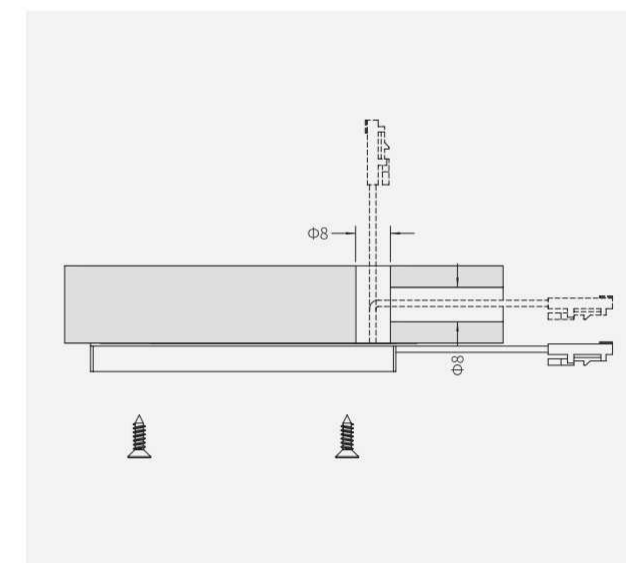
Compact size with high lumen performance
All aluminum body for high-end furniture texture
Simple surface installation with screw

Application scenarios

Display shelves, cabinets
Undercabinets



Item No.	20878
Operating voltage	12V
LED type & quantity	9pcs 5630
Colour temperature	3000/4000/6000K
Power consumption	4.2W
Luminous flux	270-280lm
Luminous efficiency	65lm/W
Colour rendering index	80
Efficiency	G
IP rating	IP20
Sensor switch	N/A
Material	Aluminum, PMMA
Finish/Color	Silver grey
Installation	Surface mounted with screw
Dimension (mm)	Φ80×H4mm
Supplied with	1500mm cable and plug, 2pcs screws for installation





20885/20886

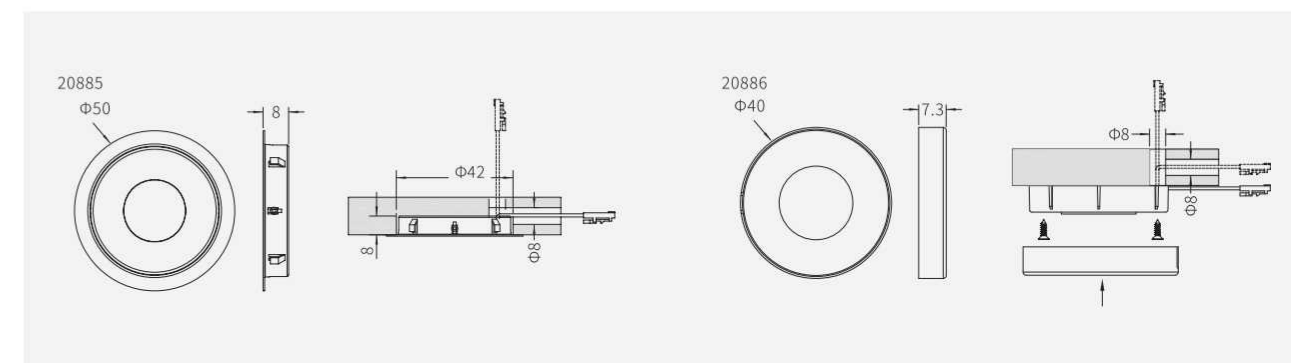
IP65 LED CABINET, WARDROBE LIGHT

Product Features

- IP rated 44 for bathroom application
- Compact size with COB LED 1W
- Stainless steel body for high-end furniture texture
- Optional recess and surface installation for various application
- Cutting dia. 42mm for recessed installation

Application scenarios

- Display shelves, cabinets in bathroom
- Undercabinets
- Bathroom ceiling lighting



Item No.	20885	20886
Operating voltage	12V	
LED type & quantity	1pcs COB	
Colour temperature	3000/4000/6000K	
Power consumption	1W	
Luminous flux	55-65lm	
Luminous efficiency	60lm/W	
Colour rendering index	80	
Efficiency	G	
IP rating	IP65	
Sensor switch	N/A	
Material	Stainless steel, PC	
Finish/Color	Satin Nickel	
Installation	Recessed mounted/cutout Φ42mm	Surface mounted with 2pcs screws
Dimension(mm)	Φ50×H8mm	Φ40×H7.3mm
Supplied with	1500mm cable and plug	

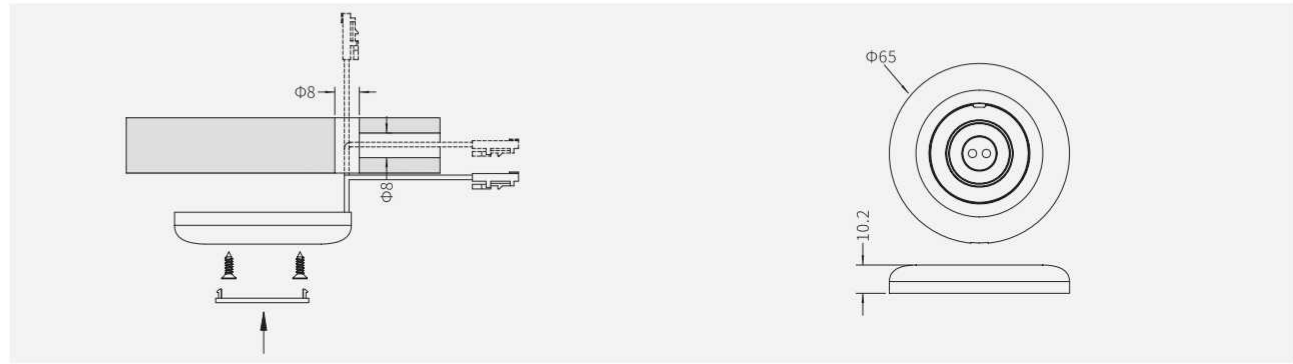


20724/20724D/20724M/20724P

LED CABINET, WARDROBE LIGHT

Product Features
 Elegant arc design of smoothly curving line
 Cost-effective plastic housing with high lumen performance
 Optional touch dimmer, movement sensor and PIR sensor for various application
 Simple surface installation with screw

Application scenarios
 Display shelves, cabinets
 Undercabinets
 Cloakroom



Item No.	20724D	20724M	20724P
Operating voltage	12V		
LED type & quantity	20pcs 2835	20pcs 2835	20pcs 2835
Colour temperature	3000/4000/6500K		
Power consumption	2W	2W	2W
Luminous flux	180-200lm	180-200lm	180-200lm
Luminous efficiency	90lm/W		
Colour rendering index	80		
Efficiency	F		
IP rating	IP20		
Sensor switch	Touch Dimmer	Movement Sensor	PIR Sensor
Material	PC		
Finish/Color	Silver grey		
Installation	Surface mounted with screw		
Dimension(mm)	Φ65×H10.2mm		
Supplied with	1500mm cable and plug, 2pcs screws for installation		

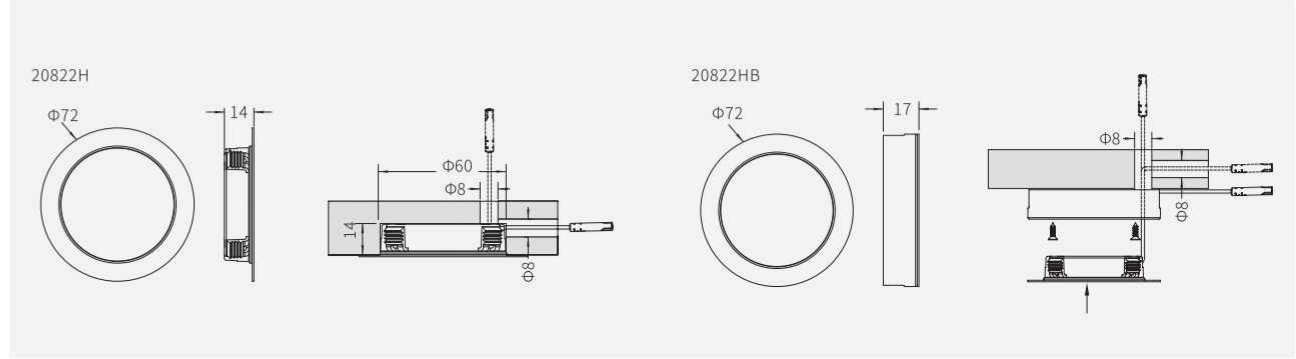


20822H/20822HB

MAINS VOLTAGE LED CABINET LIGHT

Product Features
 Mains voltage 200-240V working without requiring a driver
 Stainless steel body for high-end furniture texture
 Optional recess and surface installation for various application

Application scenarios
 Display shelves, cabinets
 Undercabinets
 Ceiling lighting



Item No.	20822H	20822HB
Operating voltage	220-240V AC	
LED type & quantity	24pcs 2835	
Colour temperature	3000/4000/6500K	
Power consumption	2.5W	
Luminous flux	170lm	
Luminous efficiency	68lm/W	
Colour rendering index	80	
Efficiency	G	
IP rating	IP20	
Sensor switch	N/A	
Material	Steel, PC	
Finish/Color	Satin nickel	
Installation	Recessed mounted/cutout Φ60x14mm	Surface mounted with 2pcs screws
Dimension(mm)	Φ72×H14mm	Φ72×H17mm
Supplied with	1500mm cable and plug	1500mm cable and plug, 2pcs screws for installation



20946

LED CABINET, WARDROBE SPOT LIGHT

Product Features

Super slim 6.8mm height with surface mounted
Economic ABS material
Side glowing with light guide plate to create extraordinary light effect

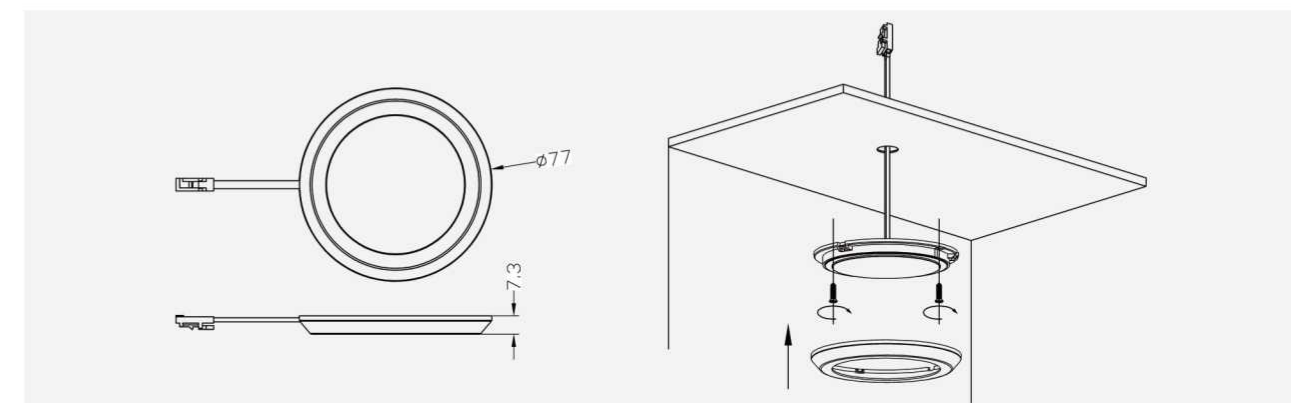
Application scenarios

Cabinet, closet, wardrobe



20946-BK

20946-SG



Model	20946
Operating voltage	DC 12V
LED type & quantity	28pcs 2835
Color temperature	3000/4000/6500K
Power consumption	1.8W
Luminous flux	108lm
Luminous efficiency	60lm/W
Color rendering index	90
Efficiency	G
IP rating	IP20
Sensor switch	N/A
Material	ABS+PC
Finish/Color	Silver grey/Black
Installation	Surface mounted with screw
Dimension L*W*H	Φ77xH7.3mm
Supplied with	1500mm cable and plug



20666

LED SPOT LIGHT

Product Features

20 degree adjustable illumination angle
Spot light for focusing

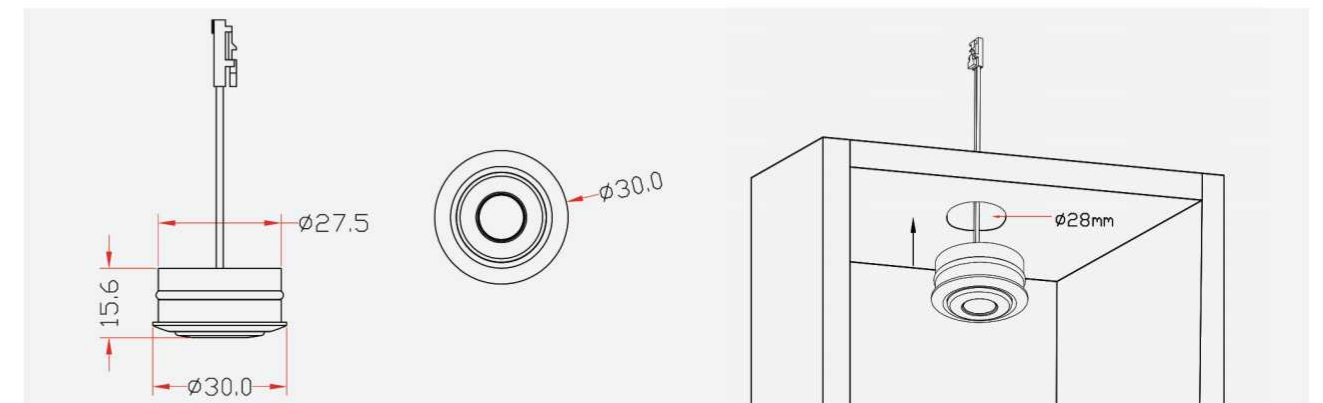
Application scenarios

Cabinet, Closet, Wardrobe
Display



20666-SG

20666-BK



Model	20666
Operating voltage	DC 12V
LED type & quantity	1pcs 3030
Color temperature	3000/4000/6000K
Power consumption	1.2W
Luminous flux	96lm
Luminous efficiency	80lm/W
Color rendering index	80
Efficiency	G
IP rating	IP20
Sensor switch	N/A
Material	Aluminum
Finish/Color	Silver grey, Black
Installation	Recess mounted, cutting hole dia.28mm
Dimension L*W*H	Φ30x15.6mm
Supplied with	1500mm cable and plug

20670-14,20670-20,20671-20,20671-28

REPLACEABLE MAGNETIC SPOT LIGHT

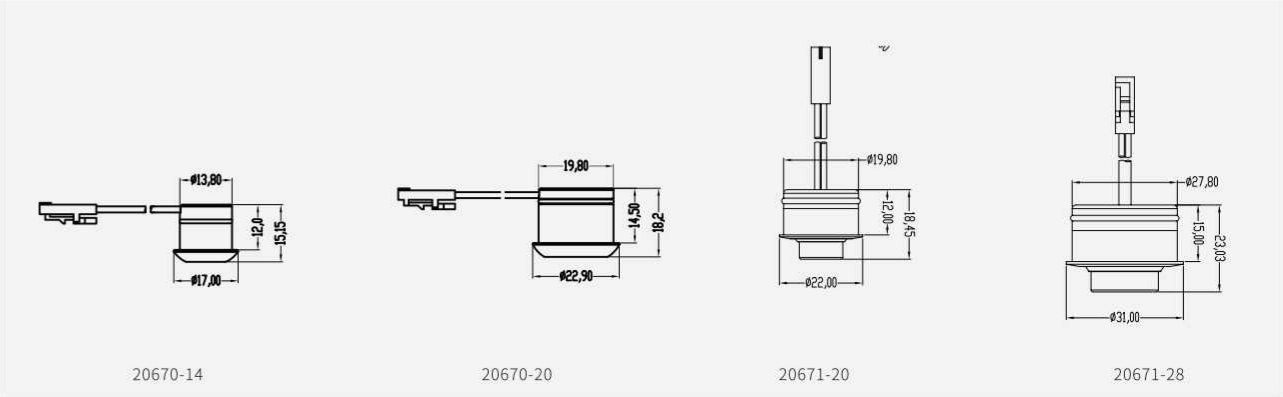


Product Features

- Magnetic installation
- Spot head replaceable
- Narrow angle 25degree for spot lighting
- Rotatable spot head(optional)

Application scenarios

- Cabinet,Closet, Wardrobe
- Display



Item No.	20670-14	20670-20	20671-20	20671-28
Operating voltage	DC 12V			
LED type & quantity	1pcs 3030			
Color temperature	3000/4000/6000K			
Power consumption	0.7W	1.2W	0.7W	1.2W
Luminous flux	50lm	90lm	60lm	100lm
Luminous efficiency	78lm/W	75lm/W	85lm/W	70lm/W
Color rendering index	80			
Efficiency	G			
IP rating	IP20			
Sensor switch	N/A			
Material	Metal+PC			
Finish color	Anthracite, black			
Installation	Recess mounted, cutting 14xH12mm	Recess mounted, cutting 20xH15mm	Recess mounted, cutting 20xH12mm	Recess mounted, cutting 28xH15mm
Dimension(mm)	17xH15mm	23xH19mm	22xH18.4mm	31xH23.5mm
Supplied with	1500mm cable and plug			

20879

LED CABINET, WARDROBE LIGHT

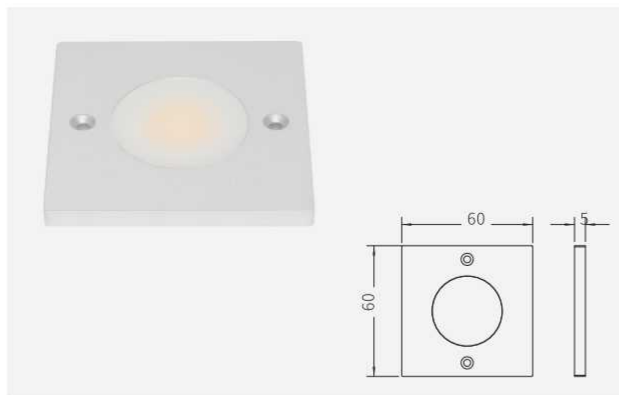


Product Features

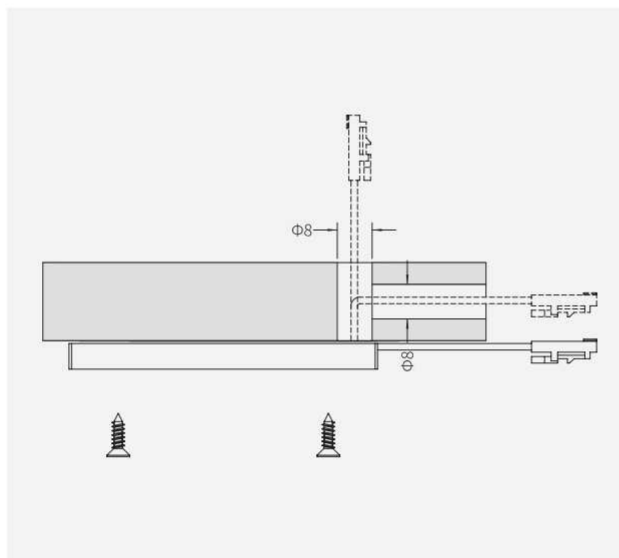
COB LED with excellent lighting performance
All aluminum body for high-end furniture texture
Simple surface installation with screw

Application scenarios

Display shelves, cabinets
Undercabinets
Ceiling lighting



Item No.	20879
Operating voltage	12V
LED type & quantity	1pcs COB
Colour temperature	3000/4000/6000K
Power consumption	3W
Luminous flux	240lm
Luminous efficiency	80lm/W
Colour rendering index	80
Efficiency	G
IP rating	IP20
Sensor switch	N/A
Material	Aluminum, PC
Finish/Color	Silver grey
Installation	Surface mounted
Dimension(mm)	L60×W60×H5mm
Supplied with	1500mm cable and plug, with 2pcs screws



20877/20877C

LED CABINET, WARDROBE LIGHT

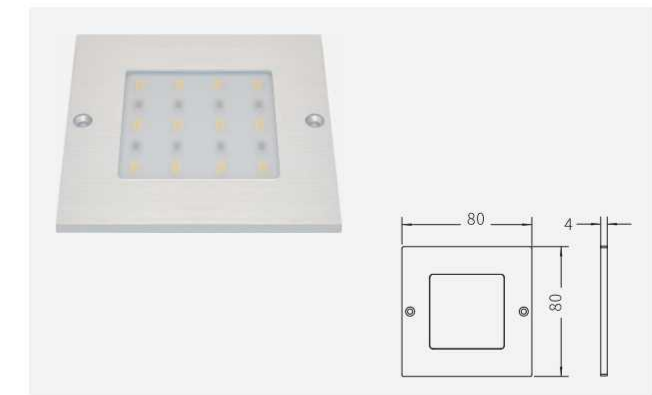


Product Features

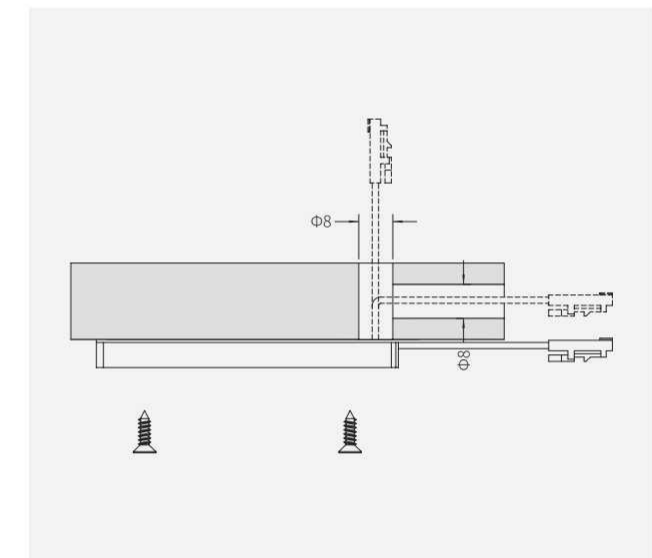
Compact size with high lumen performance
All aluminum body for high-end furniture texture
Simple surface installation with screw

Application scenarios

Display shelves, cabinets
Undercabinets
Ceiling lighting



Item No.	20877	20877C
Operating voltage	12V	
LED type & quantity	12pcs 5630	40pcs 3014
Colour temperature	3000/4000/6000K	3000-6500K
Power consumption	5W	3W
Luminous flux	350lm	270lm
Luminous efficiency	70lm/W	90lm/W
Colour rendering index	80	
Efficiency	G	E
IP rating	IP20	
Sensor switch	N/A	
Material	Aluminum, PMMA	Aluminum, PC
Finish/Color	Silver grey	
Installation	Surface mounted	
Dimension(mm)	L80×W80×H4mm	
Supplied with	1500mm cable and plug, with 2pcs screws	



20725

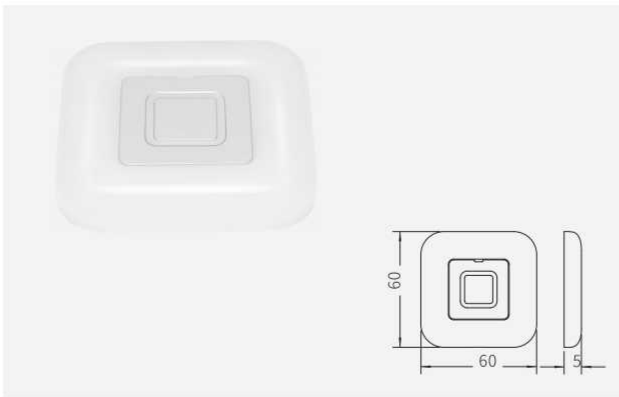
LED CABINET, WARDROBE LIGHT

CCT COLOR CHANGING LED CABINET LIGHT, WARDROBE LIGHT

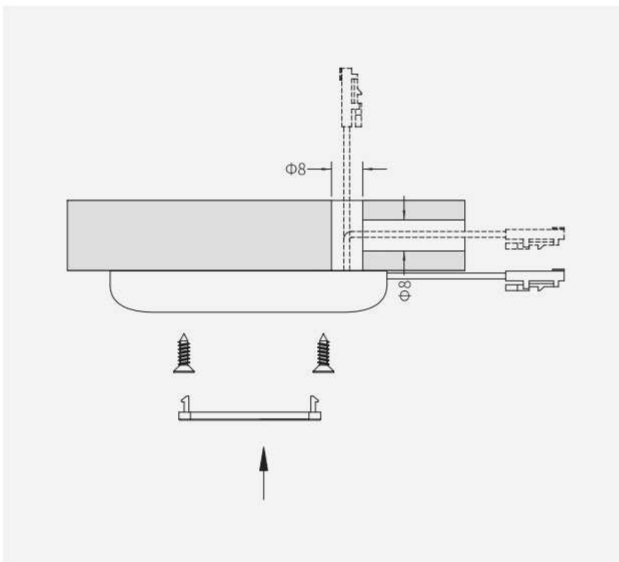


Product Features
Elegant arc design of smoothly curving line
Cost-effective plastic housing with high lumen performance
Simple surface installation with screw

Application scenarios
Display shelves, cabinets
Undercabinets
Ceiling lighting



Item No.	20725
Operating voltage	12V
LED type & quantity	28pcs 2835
Colour temperature	3000/4000/6500K
Power consumption	2.5W
Luminous flux	260lm
Luminous efficiency	104lm/W
Colour rendering index	80
Efficiency	E
IP rating	IP20
Sensor switch	N/A
Material	PC
Finish/Color	Silver grey
Installation	Surface mounted
Dimension(mm)	L60×W60×H9mm
Supplied with	1500mm cable and plug, with 2pcs screws



CCT COLOR CHANGING LED CABINET LIGHT, WARDROBE LIGHT

Product Features

Two group LED chip on PCB
 CCT color changing technology by controller
 Different color tones cater for different environment and atmosphere
 Optional designs for choice

Application scenarios

Display shelves, cabinets
 Undercabinets
 Wardrobes



Item No.	20854C	20728C	20891C	20891DC
Operating voltage	12V			
LED type & quantity	42pcs 2835	56pcs 3014	72pcs 3014	72pcs 3014
Colour temperature	3000-6500K			
Power consumption	6W	3.5W	3.5W	3.5W
Luminous flux	290lm	300lm	170lm	170lm
Luminous efficiency	48lm/W	85lm/W	48lm/W	48lm/W
Colour rendering index	80			
Efficiency	G	E	G	G
IP rating	IP20			
Sensor switch	CCT color changing	CCT color changing	CCT color changing	Touch switc & dimmer & CCT
Material	Aluminum, PC	PC	PC	PC
Finish/Color	Silver grey			
Installation	Surface mounted with screw			
Dimension(mm)	L192×W112×H12.5mm	L196×W60×H12.5mm	L160×W55×H60.5mm	L160×W55×H60.5mm
Supplied with	1500mm cable and plug, 4pcs screws for installation	1500mm cable and plug	1500mm cable and plug	1500mm cable and plug
See details	See details in Page003	See details in Page005	See details in Page007	See details in Page007

CCT COLOR CHANGING LED CABINET LIGHT, WARDROBE LIGHT

Product Features

Two group LED chip on PCB
 CCT color changing technology by controller
 Different color tones cater for different environment and atmosphere
 Optional designs for choice

Application scenarios

Display shelves, cabinets
 Undercabinets
 Wardrobes



Item No.	20881C	20881CB	20858C	20877C
Operating voltage	12V			
LED type & quantity	18pcs 2016	18pcs 2016	18pcs 3014	40pcs 3014
Colour temperature	3000-6500K			
Power consumption	2W	2W	2.5W	3W
Luminous flux	140lm	140lm	140lm	270lm
Luminous efficiency	70lm/W	70lm/W	56lm/W	90lm/W
Colour rendering index	80			
Efficiency	G	G	G	E
IP rating	IP20			
Sensor switch	CCT color changing	CCT color changing	CCT color changing	N/A
Material	Aluminum, PC			
Finish/Color	Silver grey, satin nickle	Silver grey, satin nickle	Silver grey	Silver grey
Installation	Recess mounted, cutting hole dia.54-56mm	Surface mounted with screw	Surface mounted with screw	Surface mounted
Dimension(mm)	Φ51×H10mm	Φ62×H12.5mm	L150×W35×H10.3mm	L80×W80×H4mm
Supplied with	1500mm cable and plug	1500mm cable and plug, 2pcs screws for installation	1500mm cable and plug, 2pcs screws for installation	1500mm cable and plug, with 2pcs screws
See details	See details in Page015	See details in Page015	See details in Page011	See details in Page026

21120C

LED OVER CABINET LIGHT

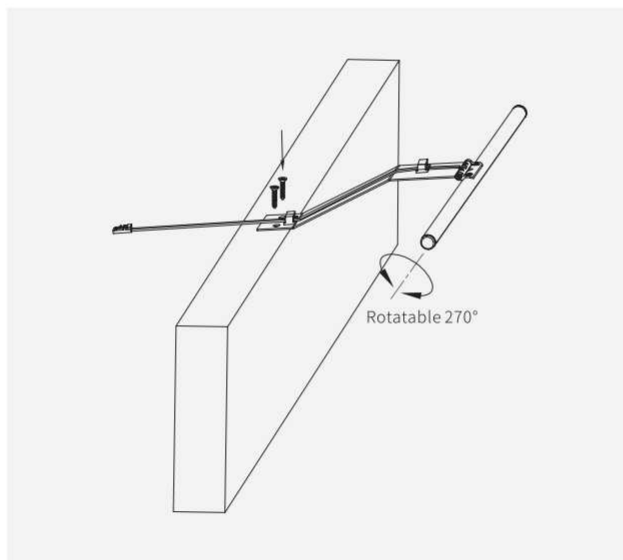
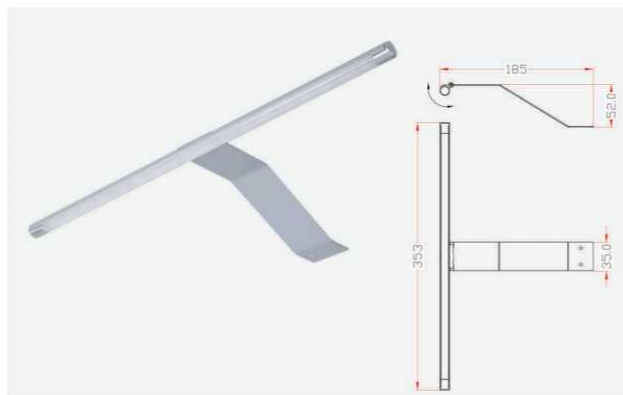


Product Features

Slim tube design
Aluminum body for high-end furniture texture
Simple surface installation with screw

Application scenarios

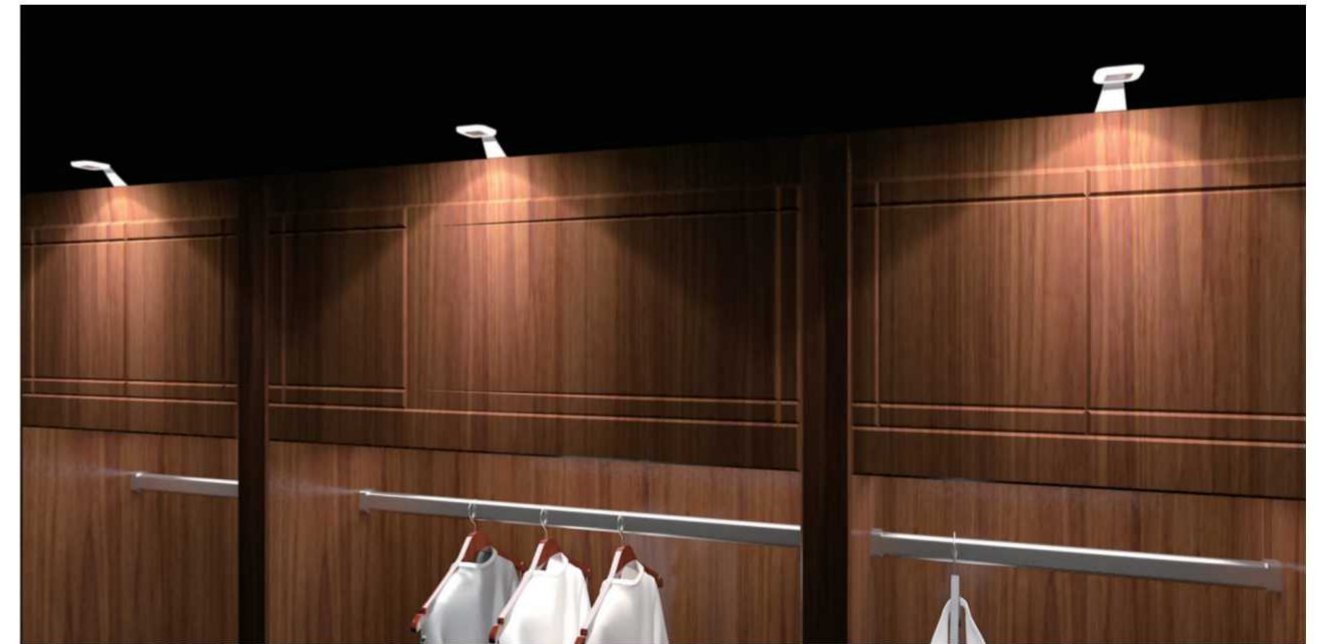
On top of cabinets, wardrobes
Above mirrors
Picture light, display light in gallery
Cloakroom



Item No.	21120C
Operating voltage	12V
LED type & quantity	64pcs 2835
Colour temperature	3000/4000/6000K
Power consumption	4.5W
Luminous flux	330lm
Luminous efficiency	74lm/W
Colour rendering index	80
Efficiency	G
IP rating	IP20
Sensor switch	N/A
Material	Aluminum,PC
Finish/Color	Silver grey
Installation	Surface mounted
Dimension(mm)	L353 X W185 X H52mm
Supplied with	1500mm cable and plug, with 2pcs screws

21144

LED OVER CABINET LIGHT

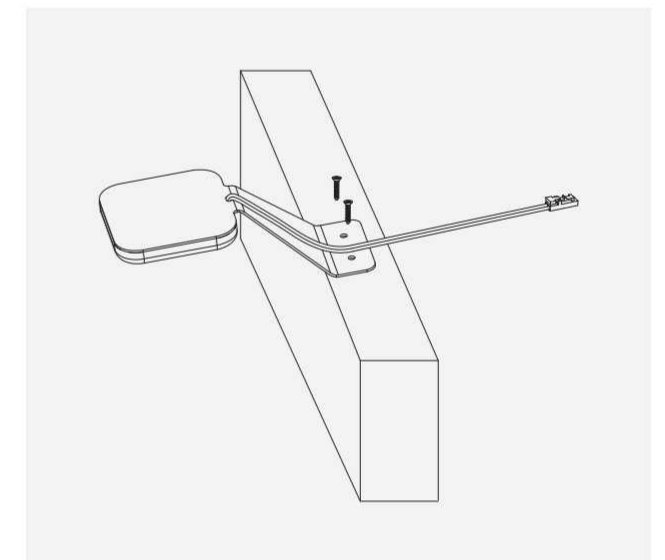
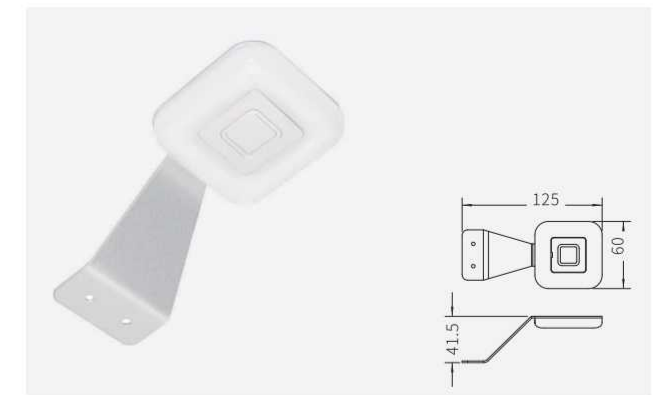


Product Features

Elegant arc design of smoothly curving line
Cost-effective plastic housing with high lumen performance
Simple surface installation with screw

Application scenarios

On top of cabinets, wardrobes
Above mirrors
Picture light, display light in gallery
Cloakroom



Item No.	21144
Operating voltage	12V
LED type & quantity	28pcs 2835
Colour temperature	3000/4000/6500K
Power consumption	2.5W
Luminous flux	260lm
Luminous efficiency	104lm/W
Colour rendering index	80
Efficiency	E
IP rating	IP20
Sensor switch	N/A
Material	PC
Finish/Color	Silver grey
Installation	Surface mounted
Dimension(mm)	L60 X W125 X H41.5mm
Supplied with	1500mm cable and plug, with 2pcs screws



20777

LED SHELF & CLIP LIGHT



Product Features

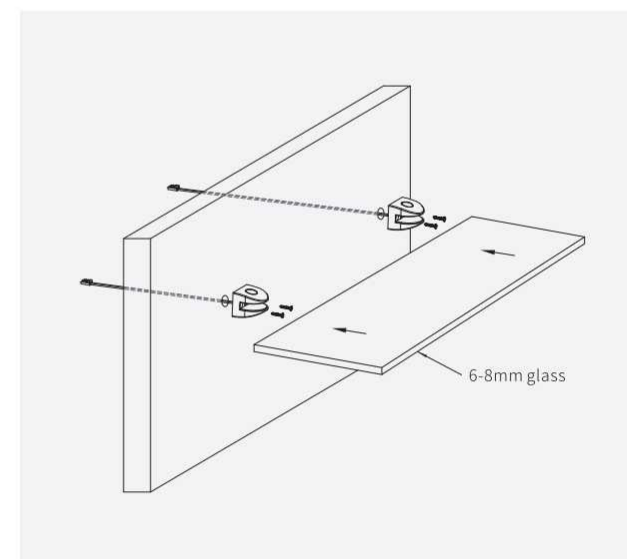
Clip on glass shelf with extra support
 Lighting up/down/middle through glass
 Aluminum body for high-end furniture texture
 Silicon spacer adjustment to fit glass height 6-8mm

Application scenarios

Glass shelves in kitchen, living room, bedroom
 Display shelves in commercial space



Item No.	20777-03
Operating voltage	12V
LED type & quantity	3pcs 3030
Colour temperature	3000/4000/6500K
Power consumption	1.5W
Luminous flux	80lm
Luminous efficiency	53lm/W
Colour rendering index	80
Efficiency	G
IP rating	IP20
Sensor switch	N/A
Material	Aluminum
Finish/Color	Silver grey, chrome
Installation	Surface mounted
Dimension(mm)	L35.5×W38×H30mm
Supplied with	1500mm cable and plug, with 2pcs screws



31038

LED SOLDER-FREE SHELF & CLIP LIGHT

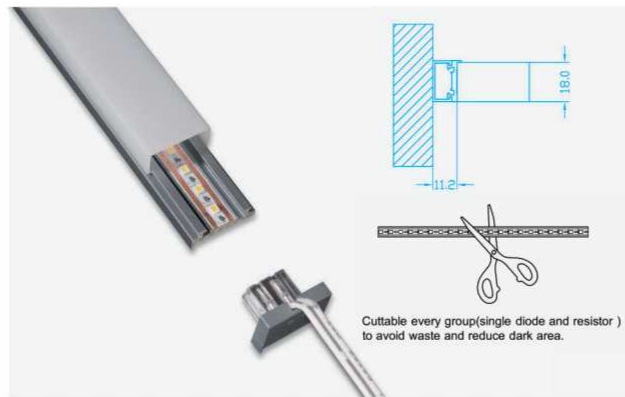


Product Features

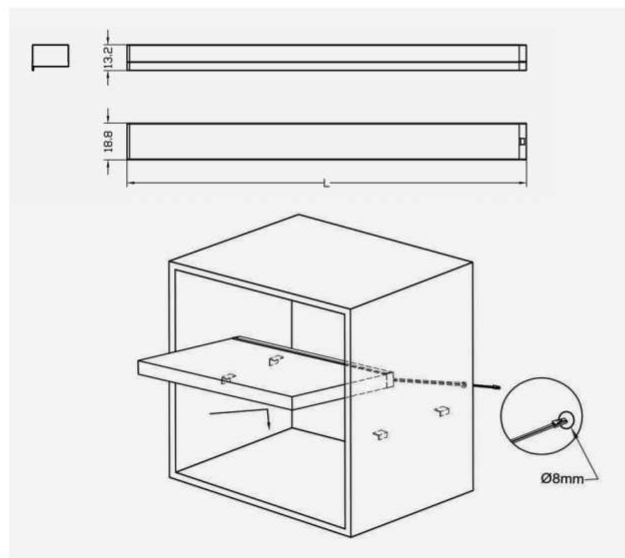
Fast plug-in connector free of wires welding
 Clip on 18-25mm MDF
 Length Customized
 Every single LED chip cuttable to minimize dark area

Product Features

Display shelf
 Storage rack
 Display cabinet



Model	31038	31038C
Operating voltage	DC 12V	
LED type & quantity	150pcs 2025	
Color temperature	3000K/4000K/6000K	3000K-6000K
Power consumption	7.5W/M	
Luminous flux	510lm/M	
Luminous efficiency	68lm/W	
Color rendering index	90	
Efficiency	G	
IP rating	IP20	
Sensor switch	N/A	
Material	Aluminum+PC	
Finish/Color	Iron grey	
Installation	Surface mounted	
Dimension L*W*H	L*W18.8*H13.2mm	
Supplied with	1500mm cable and plug	



31039

LED SOLDER-FREE SHELF & CLIP LIGHT

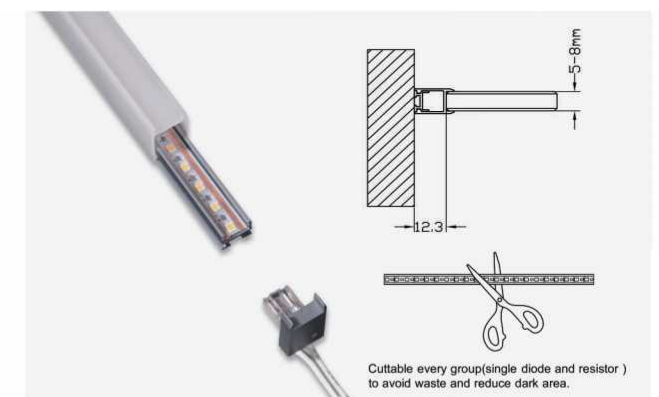


Product Features

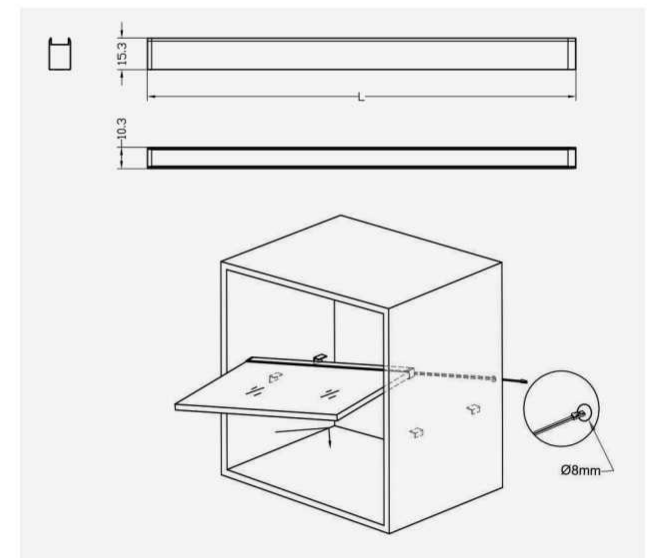
Fast plug-in connector free of wires welding
 Clip on 5-8mm glass
 Length Customized
 Every single LED chip cuttable to minimize dark area

Product Features

Display shelf
 Storage rack
 Display cabinet



Model	31039	31039C
Operating voltage	DC 12V	
LED type & quantity	150pcs 2025	
Color temperature	3000/4000/6500K	3000K-6000K
Power consumption	7.5W/M	
Luminous flux	480lm/M	
Luminous efficiency	64lm/W	
Color rendering index	90	
Efficiency	G	
IP rating	IP20	
Sensor switch	N/A	
Material	Aluminum+PC	
Finish/Color	Iron grey	
Installation	Surface mounted	
Dimension L*W*H	L*W10.3*H15.3mm	
Supplied with	1500mm cable and plug	



31045

LED SHELF & CLIP LIGHT

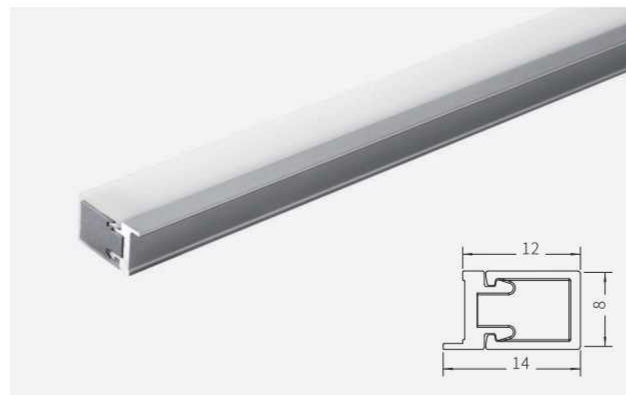


Product Features

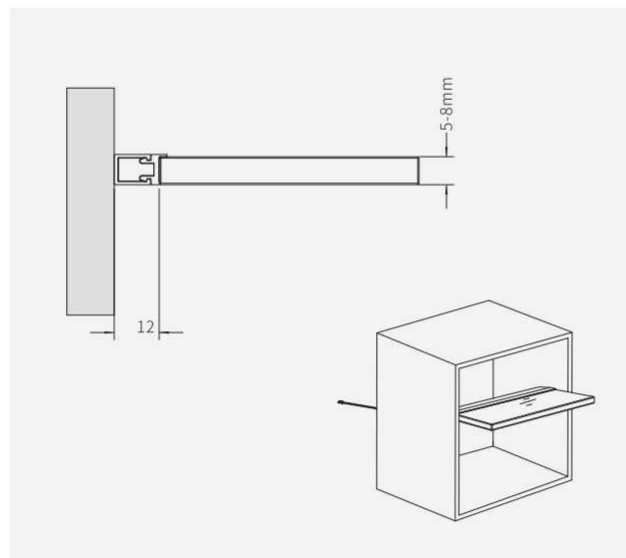
Minimalism in profile design
 Postposition clip profile with up/down/middle lighting
 Direction for shelf illumination
 Clip on 5-8mm glass
 Length Customized

Application scenarios

Display shelf
 Storage rack
 Display cabinet



Item No.	31045-1000-165
Operating voltage	12V
LED type & quantity	165pcs 2216
Colour temperature	3000/4000/6500K
Power consumption	8W
Luminous flux	350lm/M
Luminous efficiency	44lm/W
Colour rendering index	90
Efficiency	G
IP rating	IP20
Sensor switch	N/A
Material	Aluminum,PC
Finish/Color	Iron grey
Installation	Surface mounted with screw
Dimension(mm)	L1000×W14×H8mm
Supplied with	1500mm cable and plug



20536

LED SHELF & CLIP LIGHT

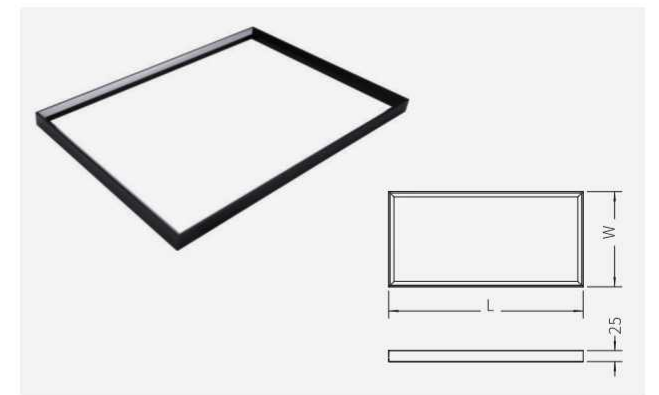


Product Features

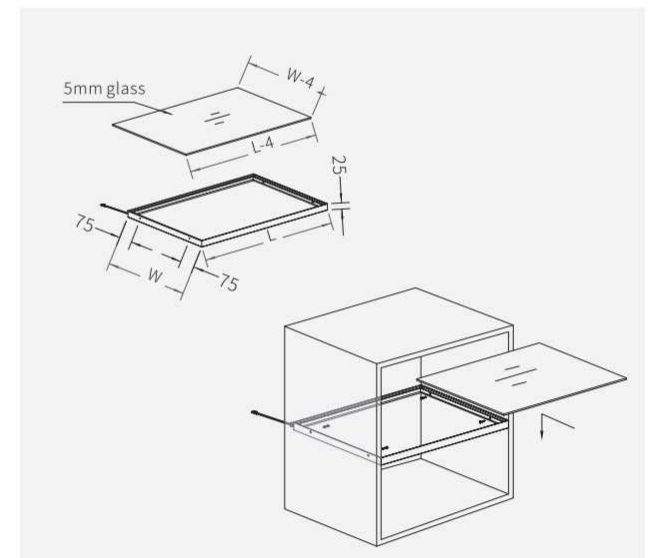
Illuminated frame of 5mm glass shelves
 High quality aluminum body with anodized surface
 Size Customized

Application scenarios

Display shelf
 Storage rack
 Display cabinet



Item No.	20536
Operating voltage	12V
LED type & quantity	168pcs 2835
Colour temperature	3000/4000/6500K
Power consumption	12W
Luminous flux	720lm/M
Luminous efficiency	60lm/W
Colour rendering index	90
Efficiency	G
IP rating	IP20
Sensor switch	N/A
Material	Aluminum,PC
Finish/Color	Moka
Installation	Surface mounted with screw
Dimension(mm)	L1000×W13×H18.6mm
Supplied with	1500mm cable and plug



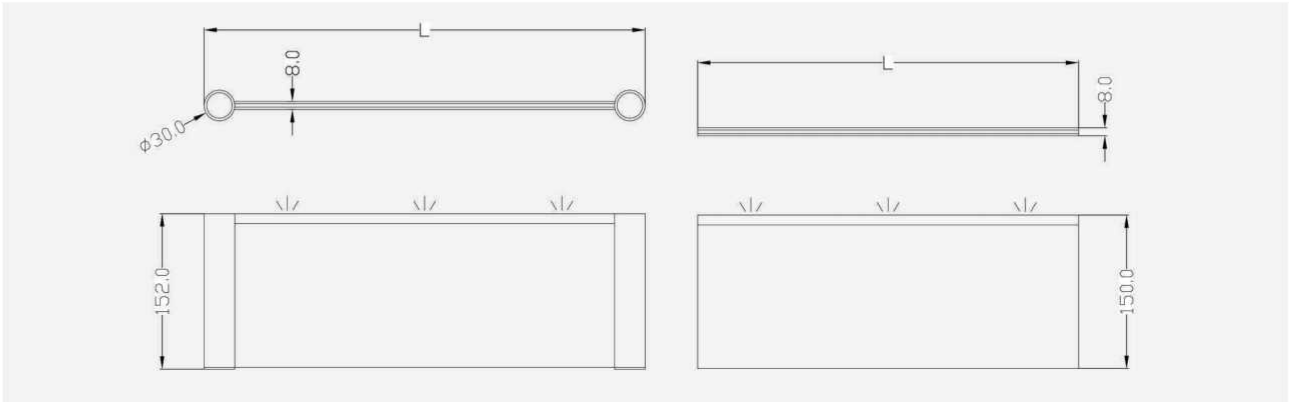


20542

DIY SHELF DISPLAY LIGHT

Product Features
 DIY your own shape and combination with different angle connectors
 Aluminum profile length customized
 Weight loading 10KGS/Meter

Application scenarios
 Wall decoration
 Display shelf



Model	20542	20542C
Operating voltage	DC 12V	
LED type & quantity	168pcs 2216 LED/M	
Color temperature	3000/4000K/6000K	3000K-6000K
Power consumption	8W/M	
Luminous flux	160lm/M	
Luminous efficiency	20lm/w	
Color rendering index	90	
Efficiency	G	
IP rating	IP20	
Sensor switch	N/A	
Material	Aluminum+PC	
Finish/Color	Starry grey	
Installation	Surface mounted with screw	
Dimension L*W*H	L1000*W150*H8mm	
Supplied with	190mm cable and plug on both ends	

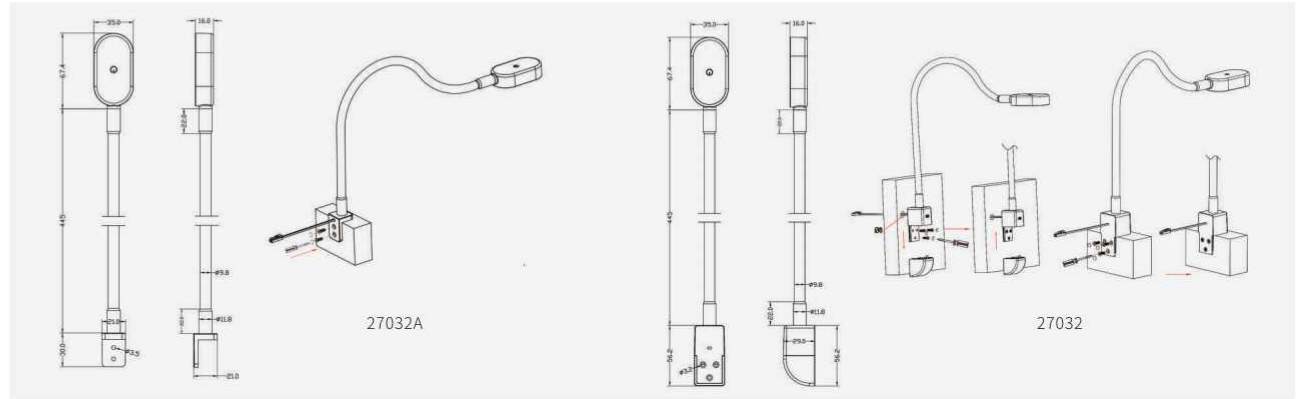


27032,27032A

LED READING LIGHT

Product Features
 Flexible arm to a designed position for comfortable reading
 Soft light and stepless touch dimmer on lamp head
 USB port(type C)to charge cellphone and other electronic devices(optional)
 Different installation

Application Scenarios
 Bed head
 Desk
 Sofa



Item No.	27032	27032A
Operating voltage	12V	
LED type & quantity	12pcs 2835	
Color temperature	3000/4000/6500K	
Power consumption	1.8W	
Luminous flux	80lm	
Luminous efficiency	45lm/W	
Color rendering index	80	
Efficiency	G	
IP rating	IP20	
Sensor switch	touch switch & dimmer	N/A
Material	Metal+PC	
Finish color	Black,white	
Installation	Surface mounted with screws	
Dimension(mm)	Head L67.4*W35*H16, flex arm 445mm, base L56.2*W*H29 mm	Head L67.4*W35*H16, flex arm 445mm, base L30*W21*H21 mm
Supplied with	1500mm cable and plug	



27030

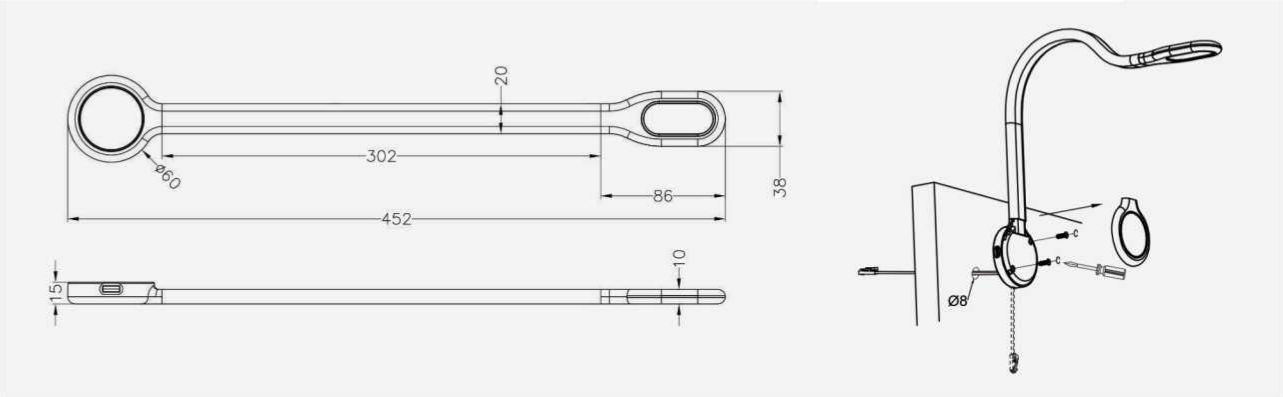
LED READING LIGHT

Product Features

- Flexible arm to a designed position for comfortable reading
- Designed with ambient circle lighting
- Soft light and stepless touch dimmer on lamp head
- USB port(type C) to charge cellphone and other electronic devices
- Simple surface installation with screw to wooden board

Application Scenarios

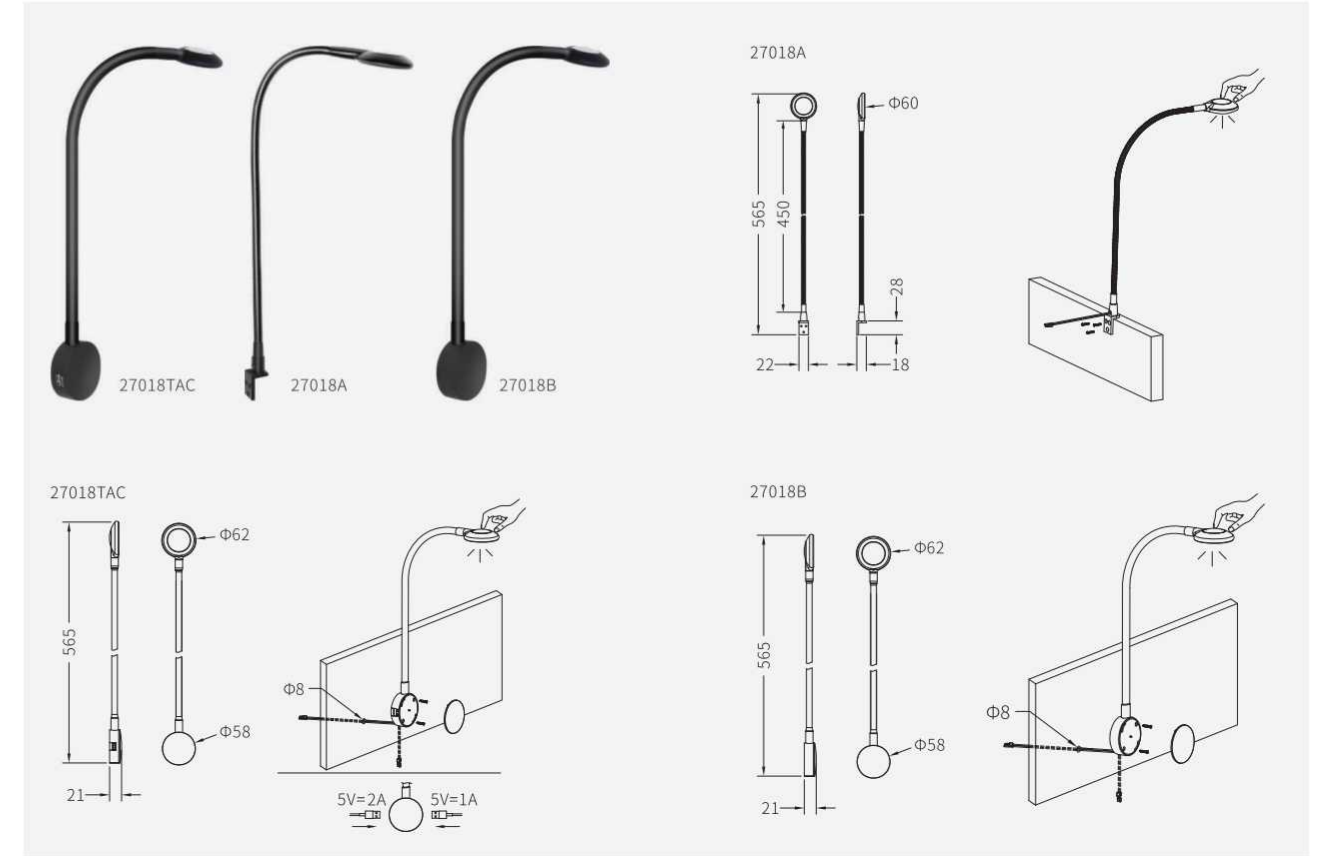
- Bed head
- Desk
- Sofa



Item No.	27030
Operating voltage	AC10-30V
LED type & quantity	24pcs 2835
Color temperature	3000/4000/6500K
Power consumption	2.4W
Luminous flux	91lm
Luminous efficiency	38lm/W
Color rendering index	90
Efficiency	G
IP rating	IP20
Sensor switch	touch switch & dimmer
Material	Metal+PC
Finish color	Black,white
Installation	Surface mounted with screws
Dimension(mm)	Head L86*W38*H10, flex arm 450mm, base dia.60*H15mm
Supplied with	1500mm cable and plug

27018TAC/27018A/27018B

LED READING LIGHT



Product Features

- Flexible arm to a desired position for comfortable reading
- Soft light and stepless touch dimmer
- 2 USB ports(type A+ type C) to charge cellphone and other electronic devices for convenience(optional)
- Simple surface installation with screw to wooden board

Application scenarios

- Bed head
- Desk
- Sofa

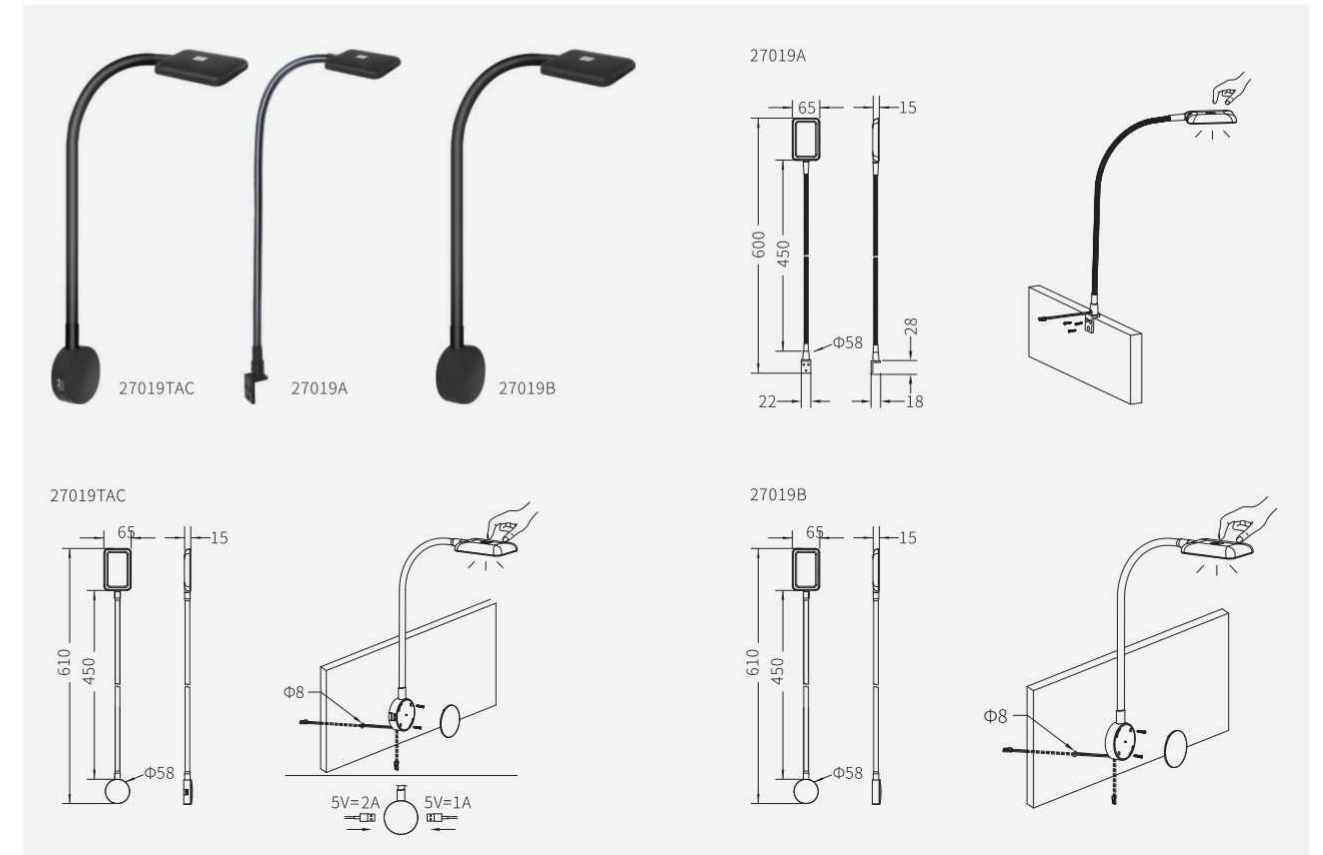


Patented Product

Item No.	27018TAC	27018A	27018B
Operating voltage	12V		
LED type & quantity	16pcs 2835		
Colour temperature	3000/4000/6500K		
Power consumption	2.1W		
Luminous flux	120lm(white finish),100lm(black finish)		
Luminous efficiency	57lm/W(white finish),47lm/W(black finish)		
Colour rendering index	80		
Efficiency	G		
IP rating	IP20		
Sensor switch	Stepless touch dimmer		
Material	Metal+PC		
Finish/Color	White, black		
Installation	Surface mounted with screw		
Dimension(mm)	L565×Φ62×H16.5mm, arm length 450mm		
Supplied with	1500mm cable and plug, 2pcs screws		

27019TAC/27019A/27019B

LED READING LIGHT



Item No.	27019TAC	27019A	27019B
Operating voltage	12V		
LED type & quantity	24pcs 2835		
Colour temperature	3000/4000/6500K		
Power consumption	5W		
Luminous flux	400lm(white finish),360lm(black finish)		
Luminous efficiency	80lm/W(white finish),72lm/W(black finish)		
Colour rendering index	80		
Efficiency	G		
IP rating	IP20		
Sensor switch	Stepless touch dimmer on lamp head		
Material	Metal+PC		
Finish/Color	White, black		
Installation	Surface mounted with screw		
Dimension(mm)	L610×Φ65×H15mm, arm length 450mm		
Supplied with	1500mm cable and plug, 2pcs screws		

Product Features

- Flexible arm to a desired position for comfortable reading
- Soft light and stepless touch dimmer
- 2 USB ports(type A+ type C) to charge cellphone and other electronic devices for convenience(optional)
- Simple surface installation with screw to wooden board

Application scenarios

- Bed head
- Desk
- Sofa

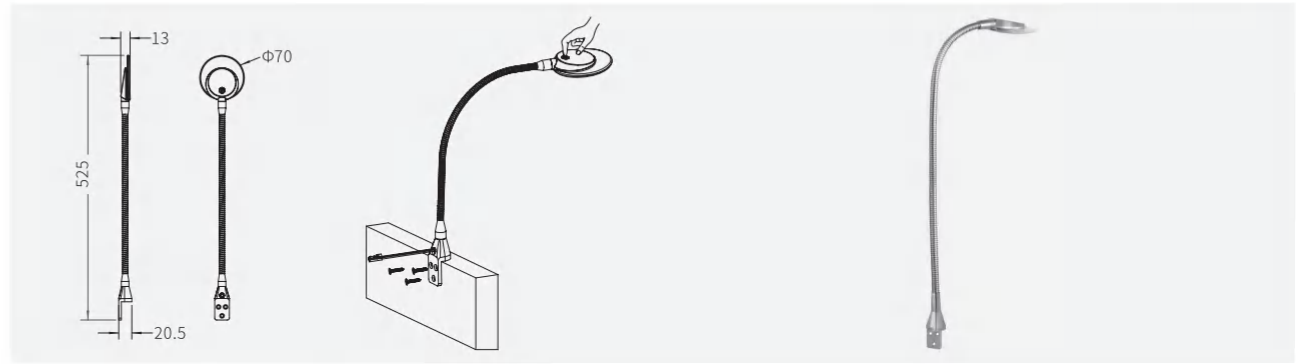


27024A

LED READING LIGHT

Product Features
 Goose neck flexible arm to a desired position for comfortable reading
 3-step touch switch on the lamp head
 Simple surface installation with screw to wooden board

Application scenarios
 Bed head
 Desk
 Sofa



Item No.	27024A
Operating voltage	12V
LED type & quantity	12pcs 3014+1pcs 5050
Colour temperature	3000/4000/6500K
Power consumption	1.5W
Luminous flux	75lm
Luminous efficiency	50lm/W
Colour rendering index	80
Efficiency	G
IP rating	IP20
Sensor switch	3-step touch switch on the lamp head
Material	Metal+PC
Finish/Color	Silver grey, chrome
Installation	Surface mounted with screw
Dimension(mm)	L525×Φ70×H13mm, arm length 400mm
Supplied with	1500mm cable and plug, 2pcs screws

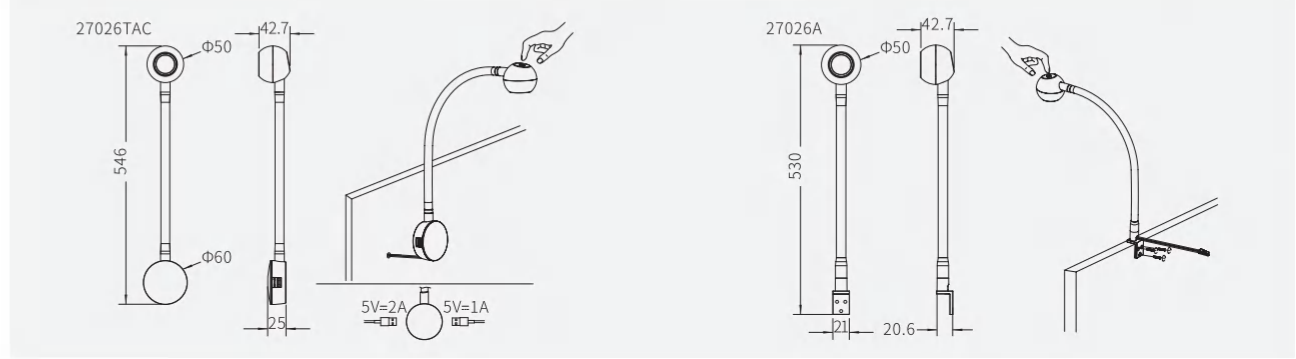


27026TAC/27026A

LED READING LIGHT

Product Features
 Flexible arm to a desired position for comfortable reading
 Soft light and stepless touch dimmer
 2 USB ports(type A+ type C) to charge cellphone and other electronic devices for convenience(optional)
 Simple surface installation with screw to wooden board

Application scenarios
 Bed head
 Desk
 Sofa



Item No.	27026TAC	27026A
Operating voltage	10-30V	12V
LED type & quantity	4pcs 2835	
Colour temperature	3000/4000/6500K	
Power consumption	1.9W	1.5W
Luminous flux	90lm	
Luminous efficiency	47lm/W	60lm/W
Colour rendering index	80	
Efficiency	G	
IP rating	IP20	
Sensor switch	Stepless touch dimmer on lamp head	
Material	Metal+PC	
Finish/Color	White, black	
Installation	Surface mounted with screw	
Dimension(mm)	L546×Φ60×H42.7mm, arm length 457mm	L530×Φ50×H42.7mm, arm length 457mm
Supplied with	1500mm cable and plug, 3pcs screws	



27027TAC/27027A

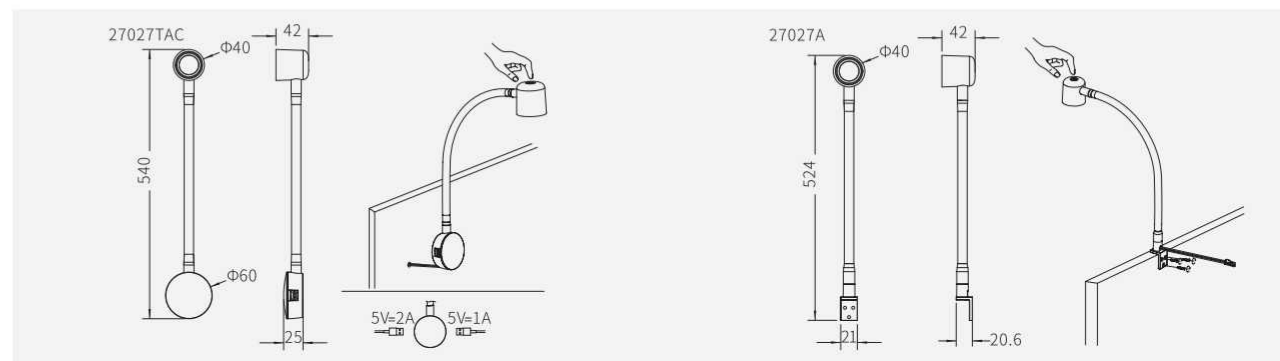
LED READING LIGHT

Product Features

- Flexible arm to a desired position for comfortable reading
- Soft light and stepless touch dimmer
- 2 USB ports(type A+ type C) to charge cellphone and other electronic devices for convenience(optional)
- Simple surface installation with screw to wooden board

Application scenarios

- Bed head
- Desk
- Sofa



Item No.	27027TAC	27027A
Operating voltage	10-30V	12V
LED type & quantity	4pcs 2835	
Colour temperature	3000/4000/6500K	
Power consumption	1.9W	1.5W
Luminous flux	90lm	
Luminous efficiency	47lm/W	60lm/W
Colour rendering index	80	
Efficiency	G	
IP rating	IP20	
Sensor switch	Stepless touch dimmer on lamp head	
Material	Metal+PC	
Finish/Color	White, black	
Installation	Surface mounted with screw	
Dimension(mm)	L540×Φ60×H42mm, arm length 457mm	L524×Φ40×H42mm, arm length 457mm
Supplied with	1500mm cable and plug, 3pcs screws	

20892V

LED MULTI-FUNCTION BATTERY LIGHT

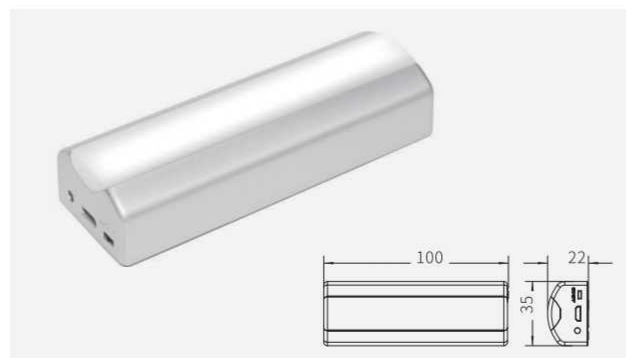


Product Features

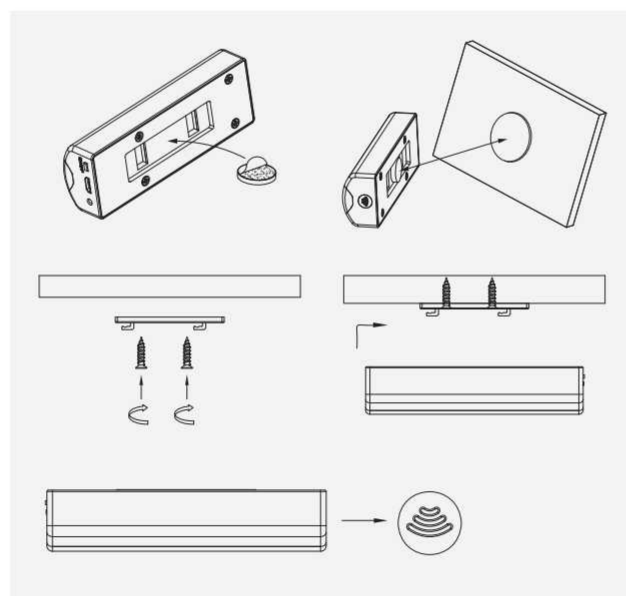
Wireless battery light with ease and convenience in multi-function application
850mAh high performance lithium battery for constant use 3.5H with simple USB charging 3H
Vibration sensor with time delay 12-15S
Simple surface installation with magnet piece or plastic bracket

Application scenarios

Drawer



Item No.	20892V
Operating voltage	5VDC
LED type & quantity	10pcs 2835
Colour temperature	3000/4000/6500K
Power consumption	1W
Luminous flux	70-80lm
Luminous efficiency	70-80lm/W
Colour rendering index	80
Efficiency	F
IP rating	IP20
Sensor switch	Vibration switch
Material	PC
Finish/Color	Silver grey
Installation	Surface mounted by magnet piece or plastic bracket
Dimension(mm)	L100×35×H22mm
Supplied with	1pc magnet piece, 1pc 3M tape, 2pcs screws, 1pc plastic bracket
Battery	Lithium rechargeable 850mAh



20893

LED MULTI-FUNCTION BATTERY LIGHT

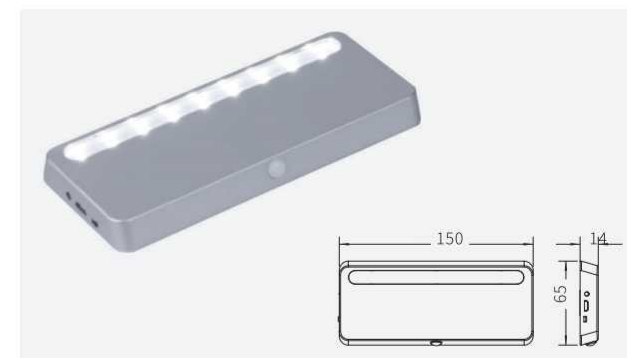


Product Features

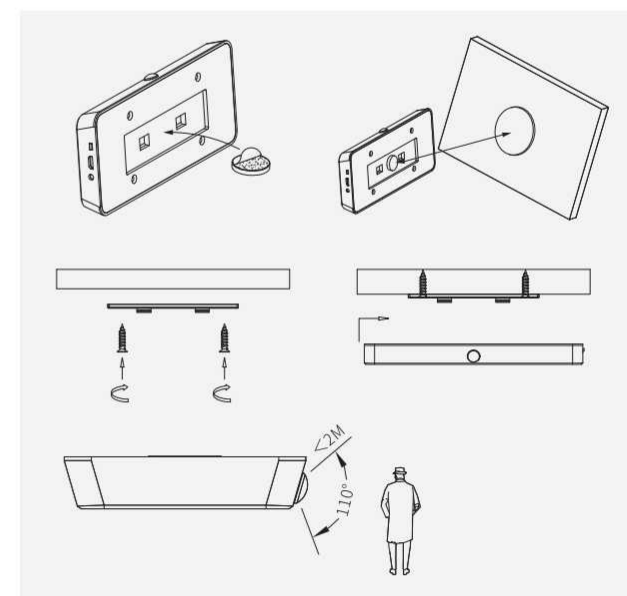
Wireless battery light with ease and convenience in multi-function application
850mAh high performance lithium battery for constant use 3.5H with simple USB charging 3H
PIR sensor with detection range 1-3M, time delay 12-15S
Simple surface installation with magnet piece or plastic bracket

Application scenarios

Drawer
Open space of wall cupboard, undercabinet
Closet, wardrobe with door
Cloakroom



Item No.	20893
Operating voltage	5VDC
LED type & quantity	9pcs 2835
Colour temperature	3000/4000/6500K
Power consumption	1W
Luminous flux	80-90lm
Luminous efficiency	80-90lm/W
Colour rendering index	80
Efficiency	F
IP rating	IP20
Sensor switch	PIR sensor switch
Material	PC
Finish/Color	Silver grey
Installation	Surface mounted by magnet piece or plastic bracket
Dimension(mm)	L150×65×H14mm
Supplied with	1pc magnet piece, 1pc 3M tape, 2pcs screws, 1pc plastic bracket
Battery	Lithium rechargeable 850mAh



20894B

LED MULTI-FUNCTION BATTERY LIGHT

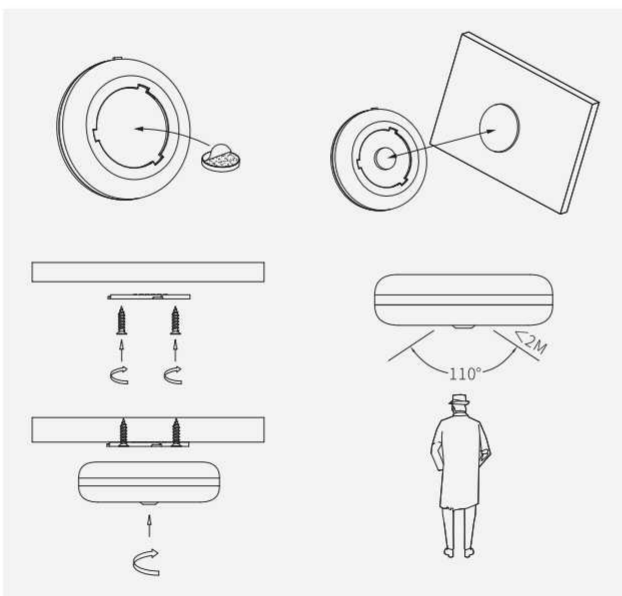


Product Features
 Wireless battery light with ease and convenience in multi-function application
 500mAh high performance lithium battery for constant use 3H
 with type-C USB full charging 1H
 PIR sensor with detection range 1-3M, time delay 12-15S
 Simple surface installation with magnet piece

Application scenarios
 Drawer
 Open space of wall cupboard, undercabinet
 Closet, wardrobe with door
 Cloakroom



Item No.	20894B
Operating voltage	5VDC
LED type & quantity	20pcs 2835
Colour temperature	3000/4000/6500K
Power consumption	0.5W
Luminous flux	58lm
Luminous efficiency	110lm/W
Colour rendering index	90
Efficiency	F
IP rating	IP20
Sensor switch	PIR sensor switch
Material	PC
Finish/Color	Silver grey
Installation	Surface mounted by magnet piece or plastic bracket
Dimension(mm)	H20mm
Supplied with	1pc magnet piece, 1pc 3M tape, 2pcs screws, 1pc plastic bracket
Battery	Lithium rechargeable 850mAh



20898

LED MULTI-FUNCTION BATTERY LIGHT

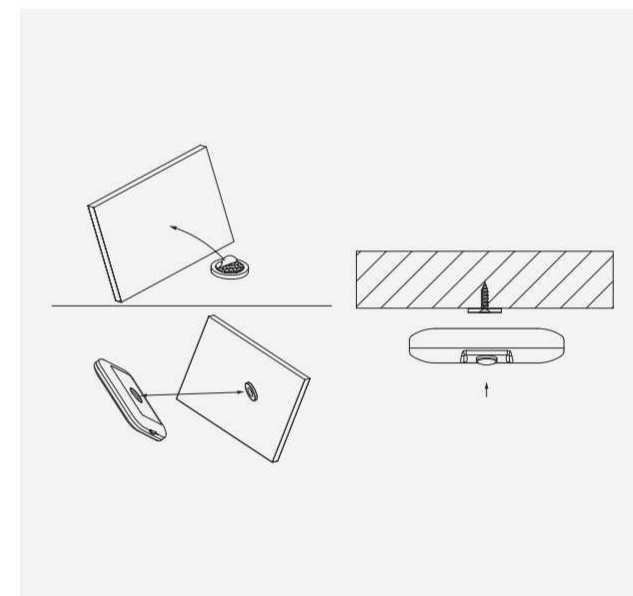


Product Features
 Wireless battery light with ease and convenience in multi-function application
 500mAh high performance lithium battery
 PIR sensor with detection range 1-3M, time delay 12-15S
 Simple surface installation with magnet piece

Application scenarios
 Drawer
 Open space of wall cupboard, undercabinet
 Closet, wardrobe with door
 Cloakroom



Item No.	20898
Operating voltage	5VDC
LED type & quantity	9pcs 3014
Colour temperature	3000/4000/6500K
Power consumption	0.5W
Luminous flux	30lm
Luminous efficiency	60lm/W
Colour rendering index	80
Efficiency	G
IP rating	IP20
Sensor switch	PIR sensor switch
Material	PC
Finish/Color	White/silver grey/ champagne
Installation	Surface mounted by magnet piece
Dimension(mm)	L80×65×H15mm
Supplied with	1pc magnet piece, 1pc 3M tape, 2pcs screws, 1pc plastic bracket
Battery	Lithium rechargeable 500mAh





20900

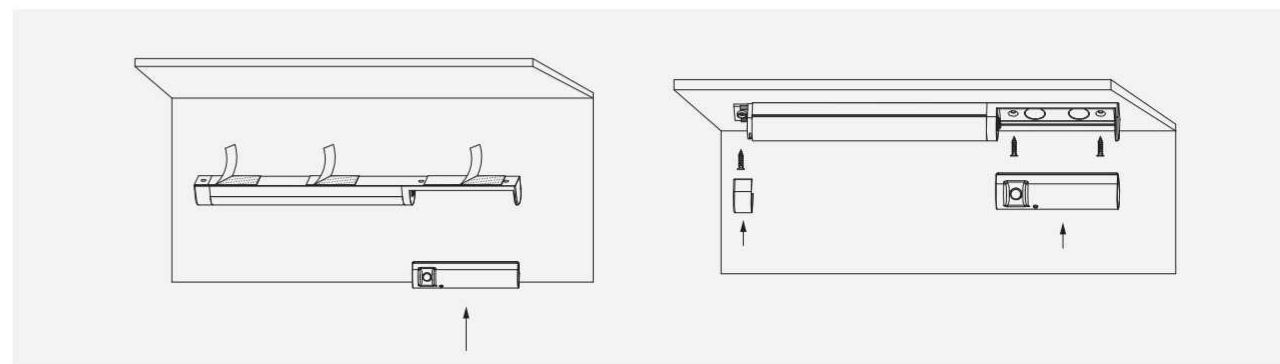
LED MULTI-FUNCTION BATTERY LIGHT

Product Features

- Wireless battery light with ease and convenience in multi-function application
- 2200mAh high performance rechargeable lithium battery pack
- PIR sensor with detection range 1-3M, time delay 30S
- Simple surface installation with magnet piece, 3M tape or screws

Application scenarios

- Display shelves
- Wall cupboard, undercabinet
- Cloakroom



Item No.	20900-400	20900-500	20900-600	20900-800
Operating voltage	5VDC			
LED type & quantity	26pcs 2835	36pcs 2835	46pcs 2835	66pcs 2835
Colour temperature	3000/4000/6500K			
Power consumption	0.65W	0.9W	1.15W	1.65W
Luminous flux	70lm	80lm	102lm	145lm
Luminous efficiency	88lm/W			
Colour rendering index	80			
Efficiency	F			
IP rating	IP20			
Sensor switch	PIR sensor switch			
Material	PC			
Finish/Color	Silver grey			
Installation	Surface installation with magnetic piece, or 3M tape screws			
Dimension(mm)	L400×W24×H26mm	L500×W24×H26mm	L600×W24×H26mm	L800×W24×H26mm
Supplied with	1pc magnet piece, 1pc 3M tape, 3pcs screws			
Battery	Lithium rechargeable 2200mAh			

20903-UVC-5V

LED UVC STERILIZATION LIGHT



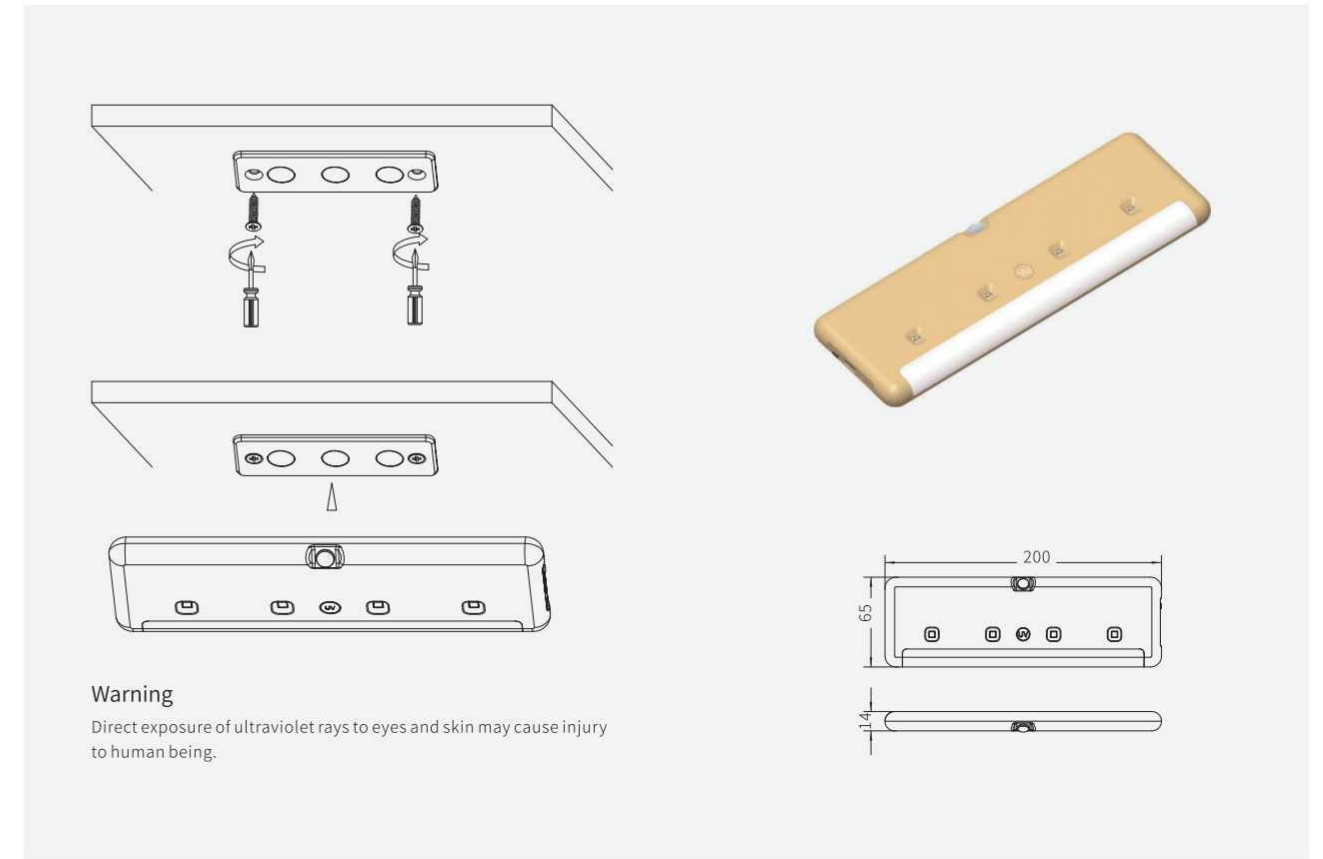
Product Features

- Ultraviolet 275nm, high performance UVC led technology
- UVC wave band to destroy DNA & RNA of microorganisms for professional sterilization
- Wireless battery light with ease and convenience, 1600mAh rechargeable lithium battery
- Safe UVC sterilization light mode with PIR sensor switch to avoid hurt to human being
- 30min.timing setting for UVC sterilization light mode
- Simple surface installation with magnet bracket

Application scenarios

- Kitchen drawer
- Cabinet, closet, wardrobe
- Cloakroom

New product



Item No.	20903-UVC-5V-CP
Operating voltage	5VDC
LED type & quantity	20pcs2835 LED 1W+4pcsUVC 270-280nm
Colour temperature	3000K/4000K/6500K
Power consumption	LED1W+UVC1W
Luminous flux	100lm
Luminous efficiency	100lm/W
Colour rendering index	>80
Efficiency	F
IP rating	IP20
Sensor switch	PIR sensor switch
Material	PC
Finish/Color	Champagne
Installation	Surface mounted with screw or 3M tape
Dimension(mm)	L200×W65×H14mm
Weight(kgs)	0.18kgs
Supplied with	2pcs screws+1pc USB charging cable
Battery	Lithium rechargeable 1600mAh



20924-UVC/20924B-UVC

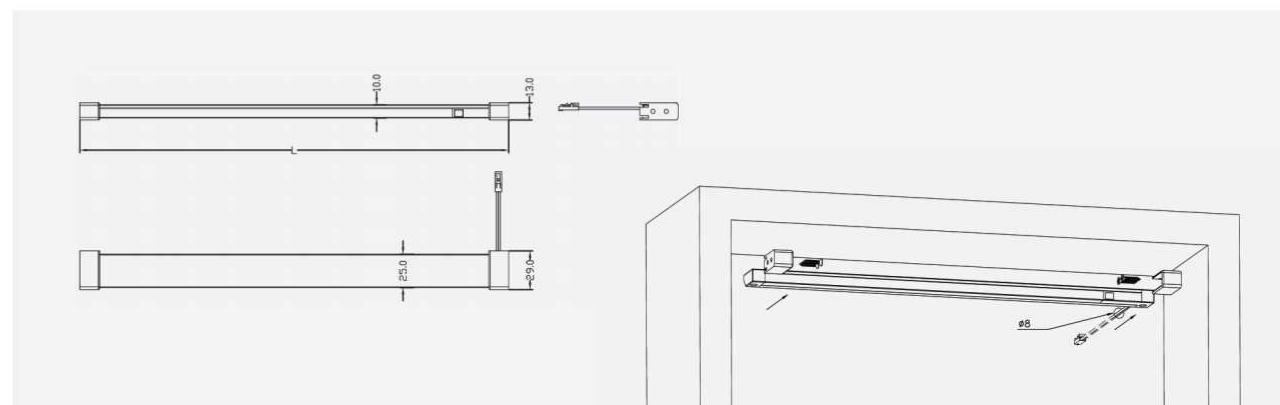
LED UVC STERILIZATION LIGHT WITH DOOR SENSOR

Product Features

Door sensor switch for smart control,
open to activate illumination, closed to activate sterilization
Sterilization light time setting 10 min.
Aluminum profile length customized

Application scenarios

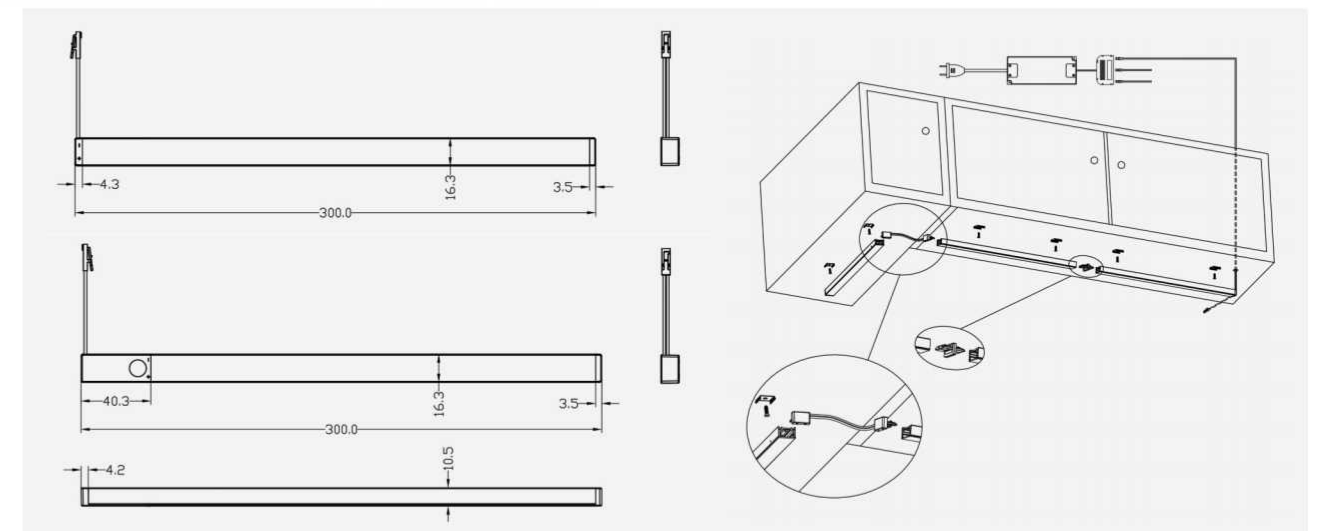
Drawer
Closet, wardrobe with sliding door



Model	20924-UVC	20924B-UVC
Operating voltage	DC 12V	
LED type & quantity	168pcs 2835 /M+UVC 270-280nm 4W/M	
Color temperature	3000K/4000K/6000K	
Power consumption	7.5W/M	
Luminous flux	337lm/M	
Luminous efficiency	45lm/W	
Color rendering index	90	
Efficiency	G	
IP rating	IP20	
Sensor switch	Door sensor	Double door sensor
Material	Aluminum+PC	
Finish/Color	Iron grey	
Installation	Surface mounted with bracket and screw	
Dimension L*W*H	L1000*W25*H10	
Supplied with	1500mm cable and plug	

31134, 31134D, 31134M, 31134P, 31134C

Surface Mounted Solder-free Linear Profile Light with optional sensor



Item No.	31134	31134D	31134M	31134P	31134C
Operating voltage	DC 12V/24V				
LED type & quantity	150pcs 2025 LED/M				
Color temperature	3000/4000/6000K				3000-6000K
Power consumption	7.5W/M				
Luminous flux	337lm/M				
Luminous efficiency	45lm/W				
Color rendering index	90				
Efficiency	G				
IP rating	IP20				
Sensor switch	N/A	touch switch & dimmer	movement switch & dimmer	PIR switch	N/A
Material	Aluminum+PC				
Finish/Color	Anthracite				
Installation	Surface mounted with screw				
Dimension L*W*H	L3000*W16.3*H10.5mm				
Supplied with	1500mm cable and plug				

Product Features

- Plug & play fast connection free of wire welding, with optional sensor control for different application
- Surface mounting W16.3*H10.5mm for easy DIY without drilling
- High performance strip, every single LED chip cuttable to make precise length & reduce dark area
- Transparent middle connector for direct connection and length extension
- Popular anthracite finish color to fit high-end furniture

Application scenarios

- Under cabinet
- Display shelves
- Closet, wardrobe
- Cloakroom





31035

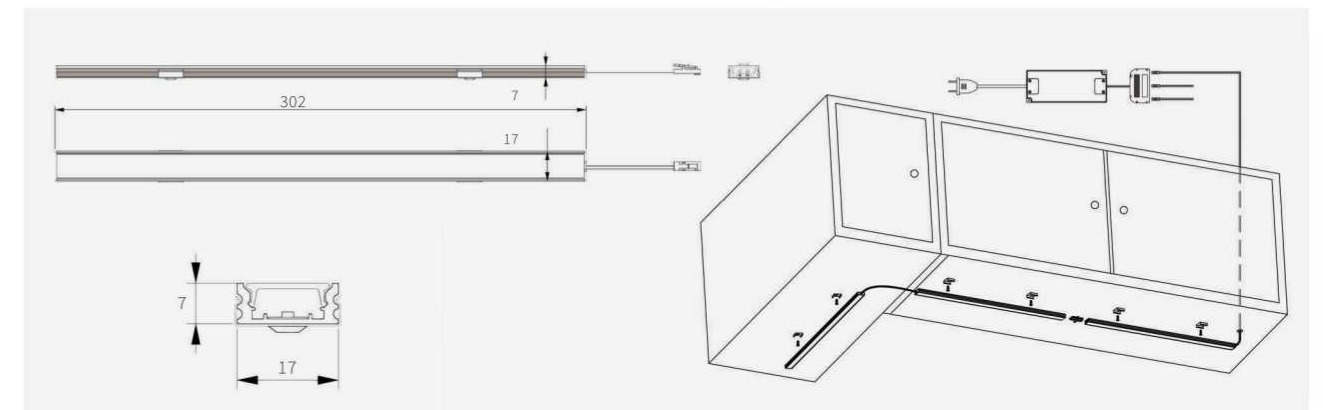
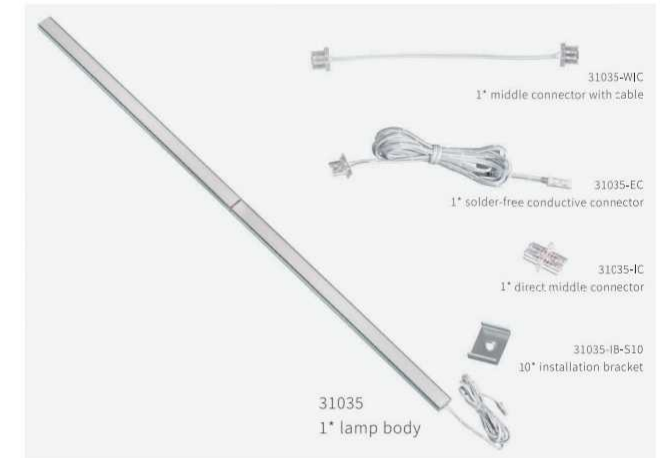
SURFACE MOUNTED SOLDER-FREE LINEAR PROFILE LIGHT

Product Features

Surface mounting W17*H7mm flat profile
 Plug & play fast connection free of wire welding
 Transparent middle connector for length extension
 Popular anthracite finish color

Application scenarios

Under cabinet
 Display shelves
 Closet, wardrobe



Model	31035	31035C
Operating voltage	12/24V	
LED type & quantity	258pcs 2025/M	
Color temperature	3000/4000/6500K	3000-6000K
Power consumption	7.5W/M	
Luminous flux	435 lm/M	
Luminous efficiency	58 lm/W	
Color rendering index	90	
Efficiency	G	
IP rating	IP20	
Sensor switch	N/A	N/A
Material	Aluminum+PC	
Finish/Color	Anthracite	
Installation	Surface mounted with stainless steel bracket	
Dimension L*W*H	L*W17*H7	
Supplied with	alu.profile with diffuser and strip light,separate accessories	



31056

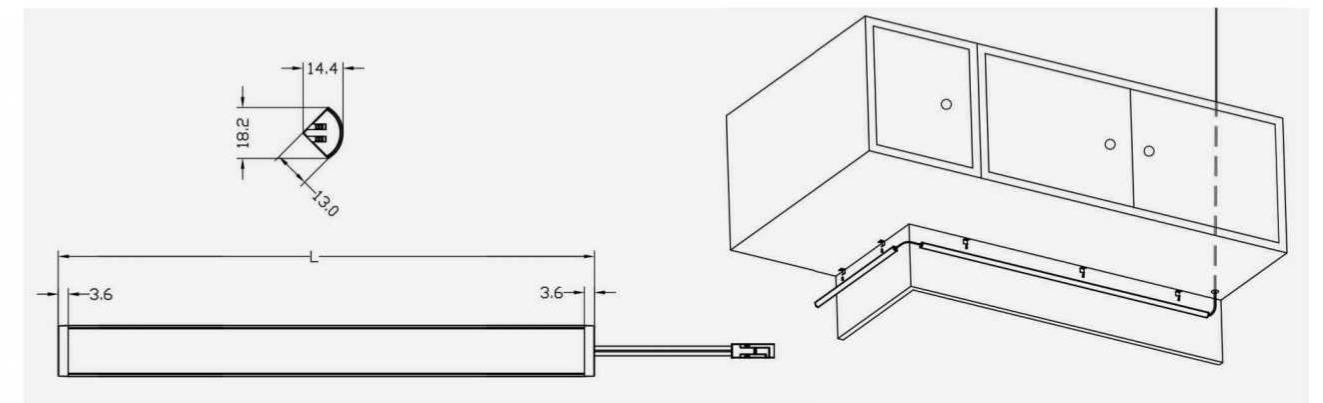
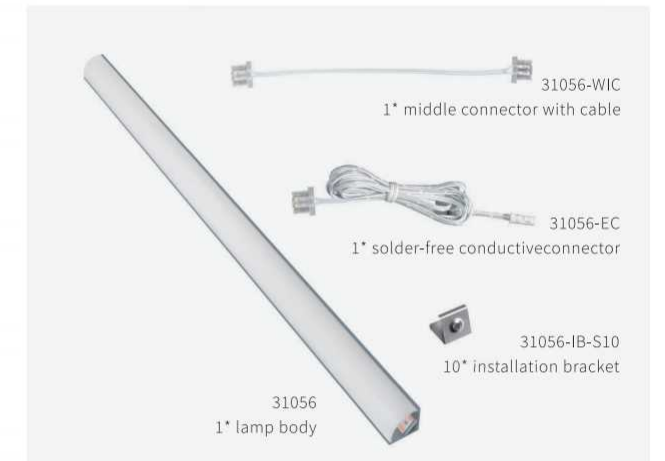
SURFACE MOUNTED CORNER PROFILE LINEAR LIGHT -- SOLDER-FREE

Product Features

Plug & play fast connection free of wire welding
 Corner profile W18.2*H14.4mm for easy surface mounting
 Every single LED chip cuttable to make precise length & reduce dark area
 Popular anthracite finish color to fit high-end furniture

Application scenarios

Under cabinet
 Display shelves
 Closet, wardrobe
 cloakroom



Item No.	31056	31056C
Operating voltage	12/24V	
LED type & quantity	150pcs 2025/M	
Color temperature	3000/4000/6500K	3000-6000K
Power consumption	7.5W/M	
Luminous flux	427 lm/M	
Luminous efficiency	57l m/W	
Color rendering index	90	
Efficiency	G	
IP rating	IP20	
Sensor switch	N/A	
Material	Aluminum+PC	
Finish/Color	Anthracite	
Installation	Surface mounted with stainless steel bracket	
Dimension L*W*H	L*W18.2*H14.4	
Supplied with	alu.profile with diffuser and strip light,separate accessories	

31137

SURFACE MOUNTED LINEAR LIGHT WITH SHADE -- SOLDER-FREE



Product Features

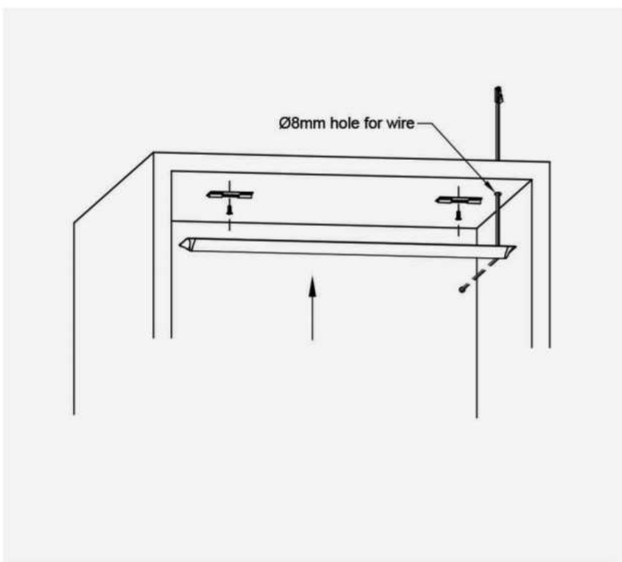
- Plug & play fast connection free of wire welding
- surface mounting W23*H11mm for easy DIY without drilling
- Design with shade for anti-glare illumination
- Every single LED chip cuttable to make precise length & reduce dark area
- Popular anthracite finish color to fit high-end furniture

Application Scenarios

- Under cabinet
- Display shelves
- Closet, wardrobe
- cloakroom



Item No.	31137	31137C
Operating voltage	12/24V	
LED type & quantity	150pcs 2025/M	
Color temperature	3000/4000/6500K	3000-6000K
Power consumption	7.5W/M	
Luminous flux	lm	
Luminous efficiency	lm/W	
Color rendering index	90	
Efficiency	G	
IP rating	IP20	
Sensor switch	N/A	
Material	Aluminum+PC	
Finish color	Anthracite	
Installation	Surface mounted with ABS bracket	
Dimension(mm)	L*W23*H11	
Supplied with	alu.profile with diffuser and strip light, separate accessories	



31127

SURFACE LINEAR LIGHT WITH SHADE

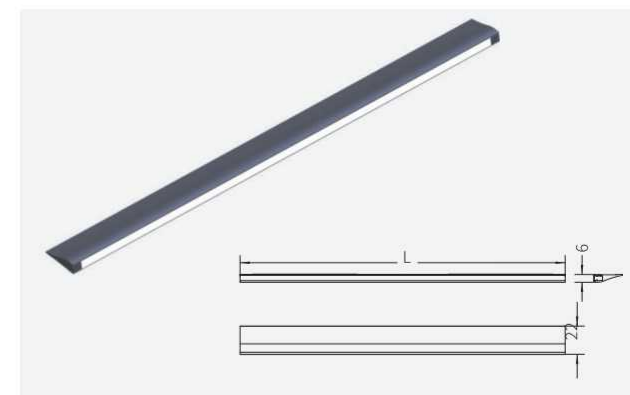


Product Features

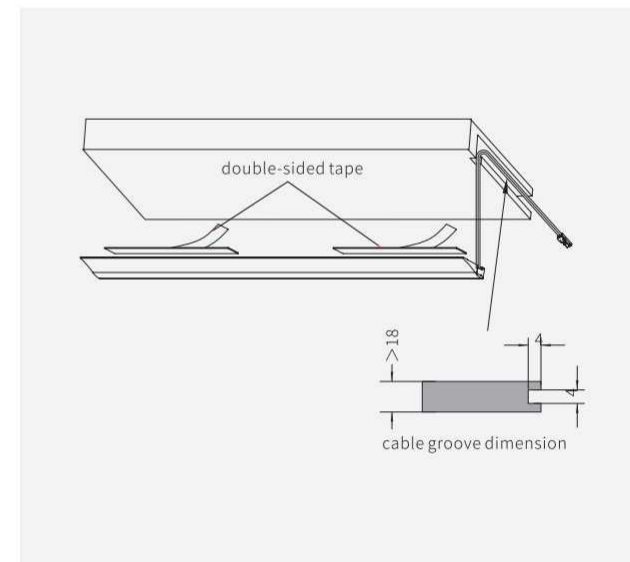
- Invisible slope design profile for anti-glare illumination
- Milling hole designed for both wiring way--from top board or side board
- Simple surface installation with 3M tape

Application scenarios

- Display shelves, cabinets
- Closet, wardrobe
- Cloakroom



Item No.	31127-1000-162-GR
Operating voltage	12V
LED type & quantity	162pcs 2216
Colour temperature	3000/4000/6500K
Power consumption	7.8W
Luminous flux	130lm
Luminous efficiency	17lm/W
Colour rendering index	90
Efficiency	G
IP rating	IP20
Sensor switch	N/A
Material	Aluminum+PC
Finish/Color	Iron grey
Installation	Surface mounted with 3M tape
Dimension(mm)	L1000×W22×H6mm
Supplied with	1500mm cable and plug, 2pcs 3M tape for installation





20923M

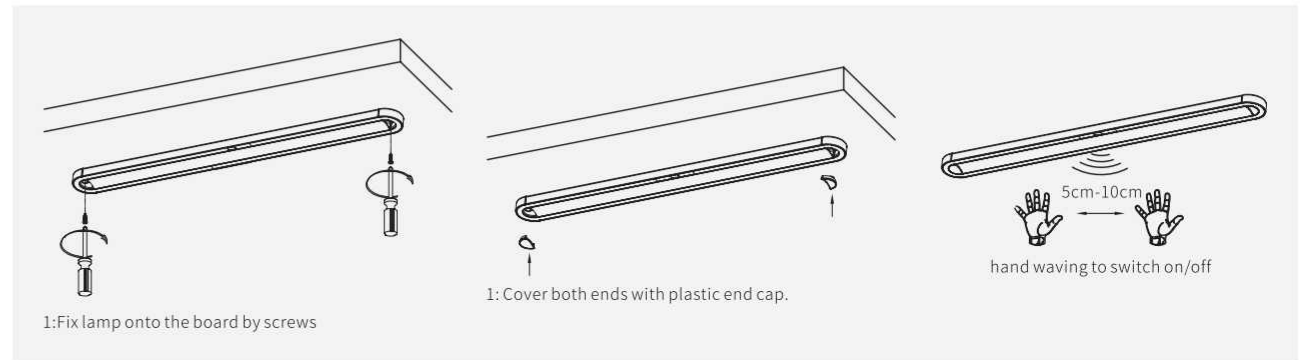
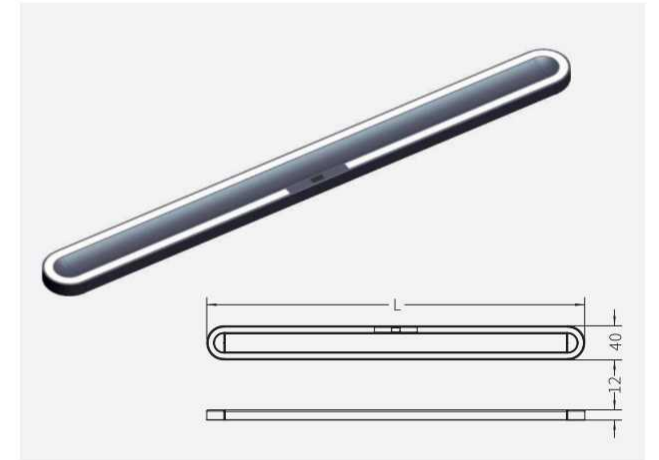
SURFACE LINEAR LIGHT WITH MOVEMENT SENSOR

Product Features

Curvy design with elegance and beauty
 Built-in movement sensor switch and dimmer for smart control
 Simple surface installation with screws

Application scenarios

Undercabinet
 Wall cupboard
 Display shelf



Item No.	20923M-450	20923M-600	20923M-900	20923M-1200
Operating voltage	12V			
LED type & quantity	147pcs 2835	198pcs 2835	300pcs 2835	399pcs 2835
Colour temperature	3000/4000/6500K			
Power consumption	6.6W	8.9W	13.5W	18W
Luminous flux	290lm	400lm	600lm	765lm
Luminous efficiency	45lm/W			
Colour rendering index	90			
Efficiency	G			
IP rating	IP20			
Sensor switch	Movement switch and dimmer			
Material	Aluminum, PC			
Finish/Color	Iron grey			
Installation	Surface mounted with screw			
Dimension(mm)	L450×W40×H12mm	L600×W40×H12mm	L900×W40×H12mm	L1200×W40×H12mm
Supplied with	1500mm cable and plug, 2pcs screws for installation			

20916M/20916P

SURFACE LINEAR LIGHT WITH MOVEMENT/PIR SENSOR



Item No.	20916P-450	20916P-600	20916P-900	20916P-1200
Operating voltage	12V			
LED type & quantity	48pcs 2835	66pcs 2835	102pcs 2835	138pcs 2835
Colour temperature	3000/4000/6500K			
Power consumption	4.8W	6.6W	10.2W	13.8W
Luminous flux	290lm	390lm	610lm	830lm
Luminous efficiency	60lm/W			
Colour rendering index	90			
Efficiency	G			
IP rating	IP20			
Sensor switch	PIR switch			
Material	Aluminum, PC			
Finish/Color	silver grey			
Installation	surface mounted with screw			
Dimension (mm)	L450×W42×H13mm	L600×W42×H13mm	L900×W42×H13mm	L1200×W42×H13mm
Supplied with	1500mm cable and plug, 2pcs screws for installation			

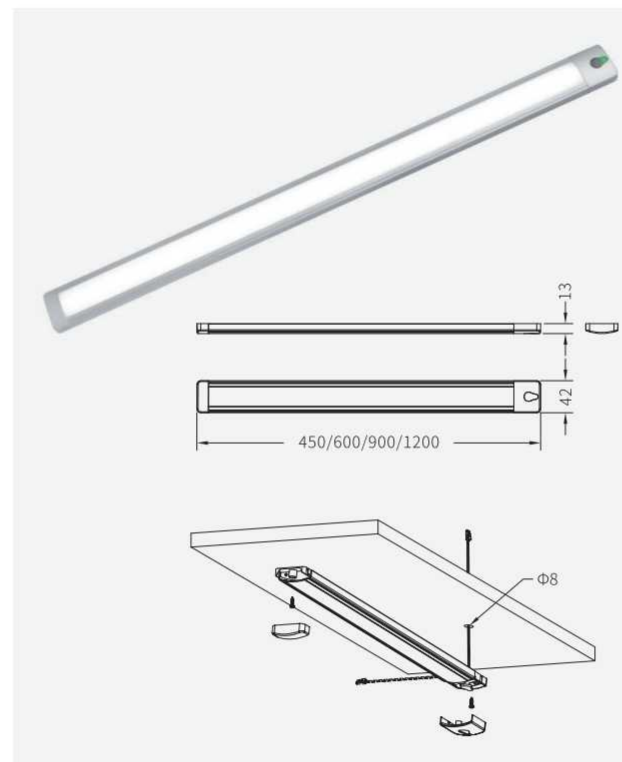
Item No.	20916M-450	20916M-600	20916M-900	20916M-1200
Operating voltage	12V			
LED type & quantity	48pcs 2835	66pcs 2835	102pcs 2835	138pcs 2835
Colour temperature	3000/4000/6500K			
Power consumption	4.8W	6.6W	10.2W	13.8W
Luminous flux	290lm	390lm	610lm	830lm
Luminous efficiency	60lm/W			
Colour rendering index	90			
Efficiency	G			
IP rating	IP20			
Sensor switch	Movement switch			
Material	Aluminum, PC			
Finish/Color	Silver grey			
Installation	Surface mounted with screw			
Dimension(mm)	L450×W42×H13mm	L600×W42×H13mm	L900×W42×H13mm	L1200×W42×H13mm
Supplied with	1500mm cable and plug, 2pcs screws for installation			

Product Features

Curvy design with elegance and beauty
Built-in movement/PIR sensor switch for smart control
Simple surface installation with magnet bracket

Application scenarios

Undercabinet
Wall cupboard
Display shelf





20925A/20925B

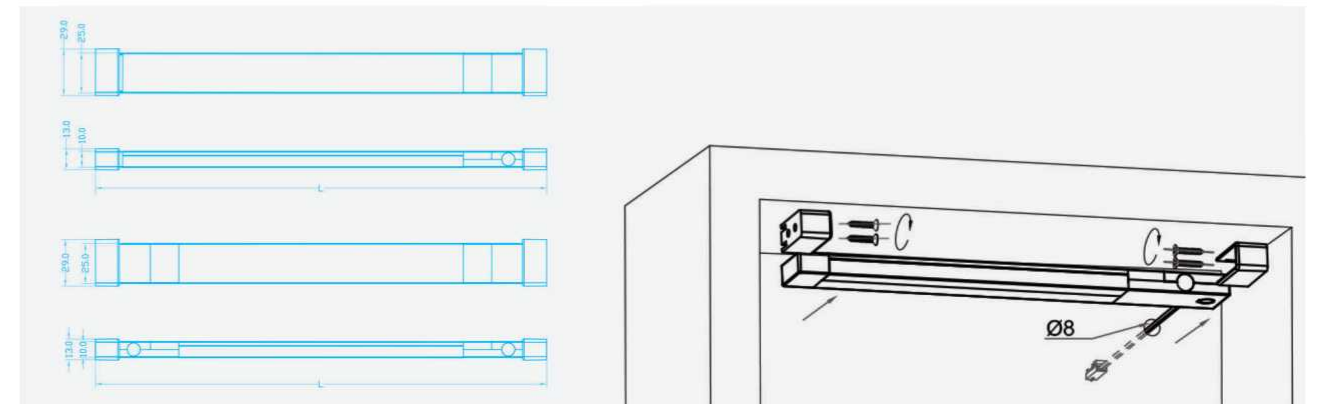
LED DRAWER, WARDROBE LIGHT WITH DOOR SENSOR

Product Features

Slim aluminum profile only 10mm height
 Door sensor switch for smart control
 Aluminum profile length customized

Application scenarios

Drawer
 Closet, Wardrobe with sliding door



Model	20925A	20925B
Operating voltage	12/24V	
LED type & quantity	168pcs 2835 LED/M	
Color temperature	3000/4000/6500K	
Power consumption	7.5W/M	
Luminous flux	337lm/M	
Luminous efficiency	45lm/W	
Color rendering index	90	
Efficiency	G	
IP rating	IP20	
Sensor switch	Door sensor	Double door sensor
Material	Aluminum+PC	
Finish/Color	Anthracite	
Installation	Surface mounted with plastic bracket and screw	
Dimension L*W*H	L*W25*H10	
Supplied with	1500mm cable and plug	

31121/31121M/31121D

HANDLE-FREE SURFACE LINEAR LIGHT WITH MOVEMENT SENSOR/TOUCH DIMMER

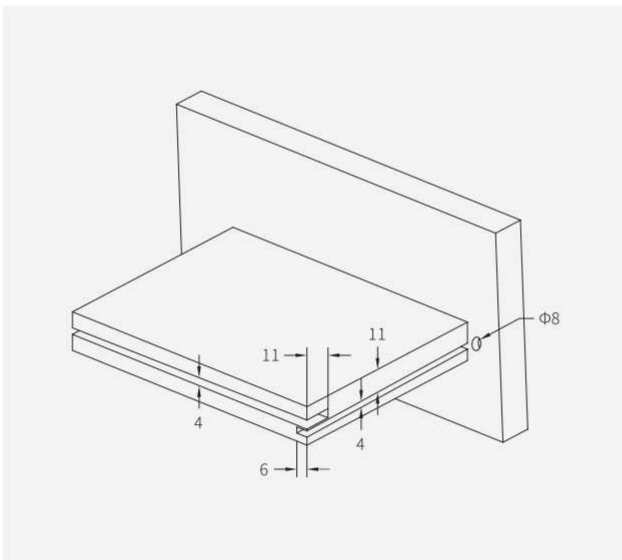


Product Features

- Handle-free design
- Doubled-sided light for up and down
- Optional touch dimmer, movement sensor switch for smart control

Application scenarios

- Undercabinet
- Wall cupboard



Item No.	31121-1000-234-GR	31121M	31121D
Operating voltage	12V		
LED type & quantity	234pcs 2835	228pcs 2835	
Colour temperature	3000/4000/6500K		
Power consumption	23.4W	22.8W	
Luminous flux	935lm		
Luminous efficiency	40lm/W		
Colour rendering index	90		
Efficiency	G		
IP rating	IP20		
Sensor switch	N/A	movement switch	touch dimmer
Material	Aluminum+PC		
Finish/Color	Iron grey		
Installation	Surface mounted		
Dimension(mm)	L1000×W44.5×H19mm		
Supplied with	1500mm cable and plug		

20906

SURFACE LINEAR LIGHT AS HANGER ROD

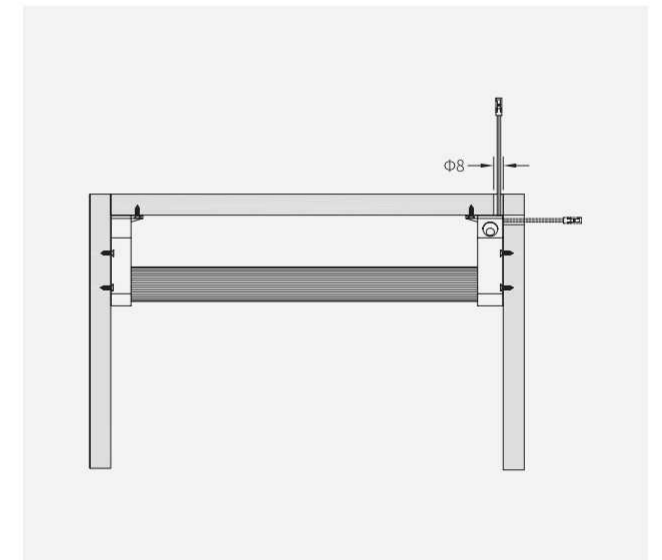
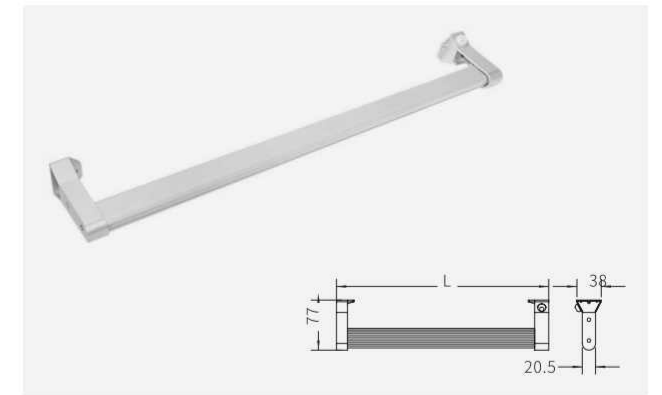


Product Features

- Hanger rod profile design for wardrobe lighting
- Optional side PIR sensor switch on support for smart control
- Detective range 1-3M, time delay 45S

Application scenarios

- Closet, wardrobe with door
- Cloakroom



Item No.	20906-2835-1000-114-SG
Operating voltage	12V
LED type & quantity	114pcs 2835
Colour temperature	3000/4000/6500K
Power consumption	11.4W
Luminous flux	420lm
Luminous efficiency	37lm/W
Colour rendering index	90
Efficiency	G
IP rating	IP20
Sensor switch	PIR switch
Material	Aluminum,PC
Finish/Color	Silver grey
Installation	Surface mounted with screw
Dimension(mm)	L1000×W38×H7.7mm
Supplied with	1500mm cable and plug, 6pcs screws for installation

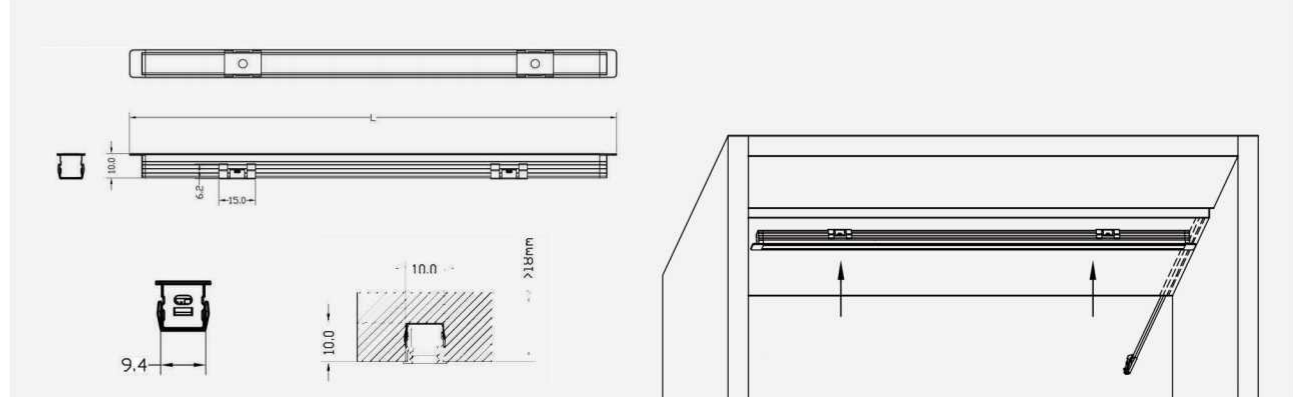


31132/31132K/31132M

RECESSED SOLDER-FREE LINEAR PROFILE LIGHT

Product Features
 Fast plug-in connection free of wires welding
 Every single LED chip cuttable to minimize dark area
 Movement sensor switch with fast plug-in connection(optional for 31132M)
 Input connector separated from profile light body for easy maintenance or replacement(optional for 31132K)

Application scenarios
 Display shelves,cabinets
 Closet,wardrobe
 Cloakroom



Model	31132	31132K	31132M
Operating voltage	DC 12V		
LED type & quantity	150pcs 2025		
Color temperature	3000/4000/6500K		
Power consumption	7.5W/M		
Luminous flux	153lm/M		
Luminous efficiency	20.5lm/W		
Color rendering index	90		
Efficiency	G		
IP rating	IP20		
Sensor switch	N/A	N/A	Movement switch
Material	Aluminum+PC		
Finish/Color	Iron grey		
Installation	recessed mounted with bracket		
Dimension L*W*H	L*W11.5*H10, cutting W10*H10mm		
Supplied with	1500mm cable and plug		

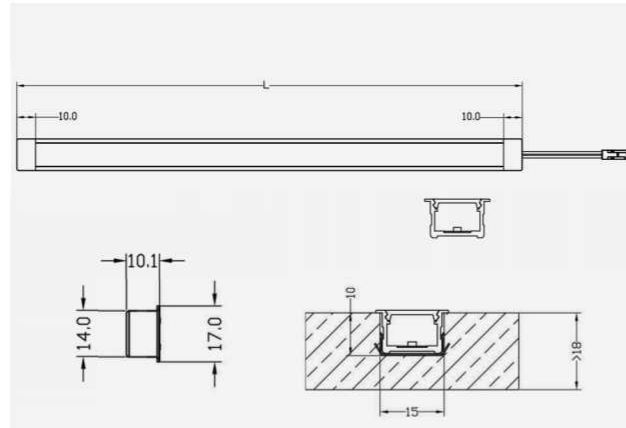
31138,31138D,31138M,31138P, 31138C

RECESS MOUNTED LINEAR LIGHT WITH OPTIONAL SENSOR-- SOLDER-FREE



Product Features
 Plug & play fast connection free of wire welding
 Optional sensor control
 Recess mounting cutting W15*H10mm
 Every single LED chip cuttable to make precise length & reduce dark area
 Middle and coner connector for direct connection and length extension
 Popular anthracite finish color to fit high-end furniture

Application Scenarios
 Under cabinet
 Display shelves
 Closet, wardrobe
 cloakroom



Item No.	31138	31138D	31138M	31138P	31138C
Operating voltage	12/24V				
LED type & quantity	150pcs 2025/M				
Color temperature	3000/4000/6500K				3000-6000K
Power consumption	7.5W/M				
Luminous flux	247 lm/M				
Luminous efficiency	33lm/W				
Color rendering index	90				
Efficiency	G				
IP rating	IP20				
Sensor switch	N/A	touch switch & dimmer	movement switch & dimmer	PIR switch	N/A
Material	Aluminum+PC				
Finish color	Anthracite				
Installation	Recess mounted with stainless steel bracket				
Dimension(mm)	L*W17*H10,cutting W15*H10mm				
Supplied with	alu.profile with diffuser and strip light,separate accessories				

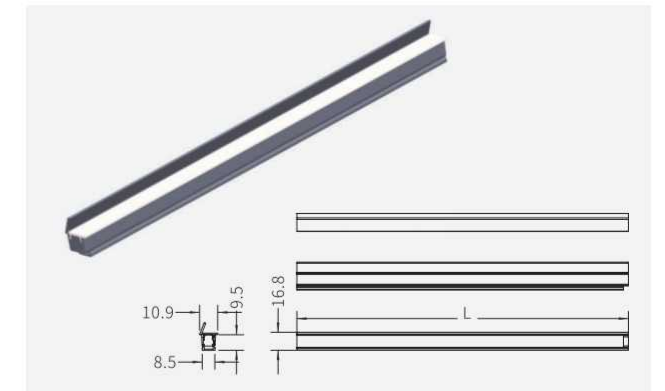
31126

RECESSED LINEAR PROFILE LIGHT

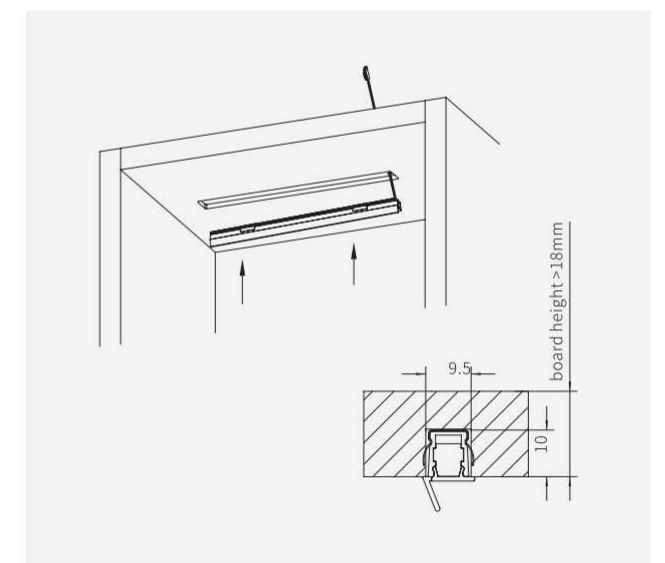


Product Features
 Shading profile design for anti-glare lighting
 Slim recessed profile with engrooving W9.5*H10mm
 Mini profile to give excellent smooth and uniform lighting

Application scenarios
 Display shelves, cabinets
 Closet, wardrobe
 Cloakroom



Item No.	31126-1000-165-GR
Operating voltage	12V
LED type & quantity	165pcs 2835
Colour temperature	3000/4000/6500K
Power consumption	7.4W
Luminous flux	170lm
Luminous efficiency	23lm/W
Colour rendering index	90
Efficiency	G
IP rating	IP20
Sensor switch	N/A
Material	Aluminum, PC
Finish/Color	Iron grey
Installation	Recessed mounted
Dimension(mm)	L1000×W10.9×H16.8mm
Supplied with	1500mm cable and plug



31119A/31119C

RECESSED LINEAR PROFILE LIGHT



Product Features

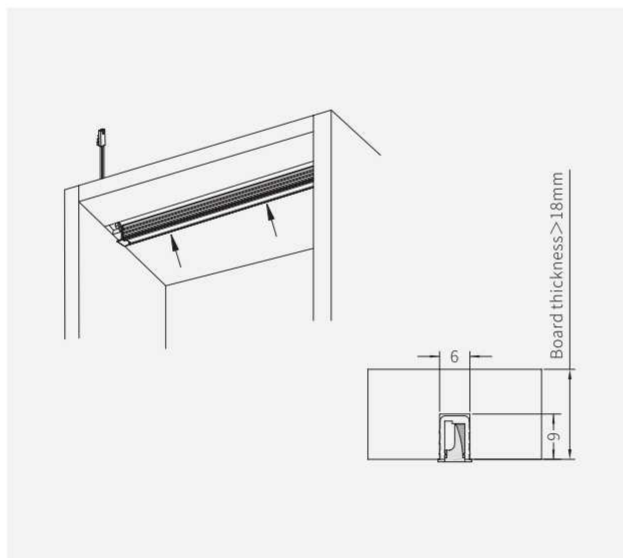
Ultra slim recessed profile with engraving width only 6mm
Mini profile to give excellent smooth and uniform lighting

Application scenarios

Display shelves, cabinets
Closet, wardrobe
Cloakroom



Item No.	31119A-1000-117-GR/31119C-1000-165-GR	
Operating voltage	12V	
LED type & quantity	117pcs 2216	165pcs 2835
Colour temperature	3000/4000/6500K	
Power consumption	8W	7.4W
Luminous flux	80lm	245lm
Luminous efficiency	10lm/W	33lm/W
Colour rendering index	90	
Efficiency	G	
IP rating	IP20	
Sensor switch	N/A	
Material	Aluminum+PC	
Finish/Color	Grey	Iron grey
Installation	Recessed mounted	
Dimension (mm)	L1000×W6.7×H11.5mm	L1000×W6.7×H9mm
Supplied with	1500mm cable and plug	



31117/31117P

RECESSED LINEAR LIGHT WITH PIR SENSOR



Product Features

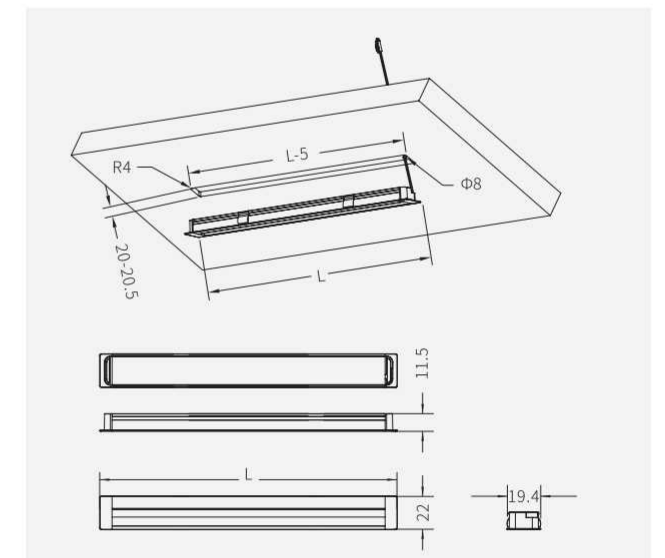
Hanger rod profile design for wardrobe lighting
Optional side PIR sensor switch for smart control

Application scenarios

Display shelves, cabinets
Closet, wardrobe
Cloakroom



Item No.	31117-1000-114-GR	31117P-1000-111-GR
Operating voltage	12V	
LED type & quantity	114pcs 2835	111pcs 2835
Colour temperature	3000/4000/6500K	
Power consumption	11.4W	11.1W
Luminous flux	225Lm	
Luminous efficiency	20lm/W	
Colour rendering index	90	
Efficiency	G	
IP rating	IP20	
Sensor switch	N/A	PIR sensor
Material	Aluminum+PC	
Finish/Color	Iron grey	
Installation	Recessed mounted	
Dimension (mm)	L1000×W22×H11.5mm	L1000×W22×H11.5mm
Supplied with	1500mm cable and plug	





21800

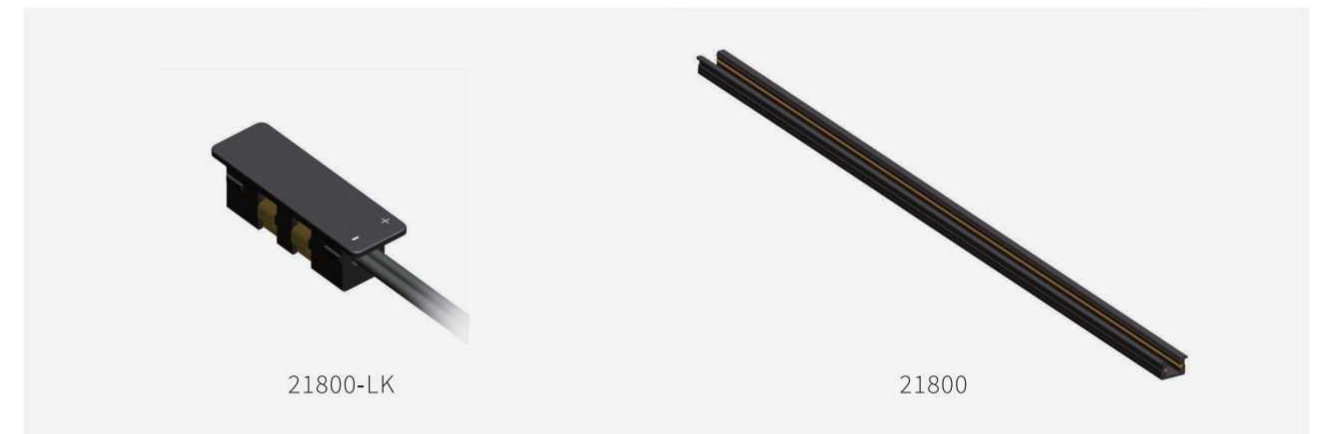
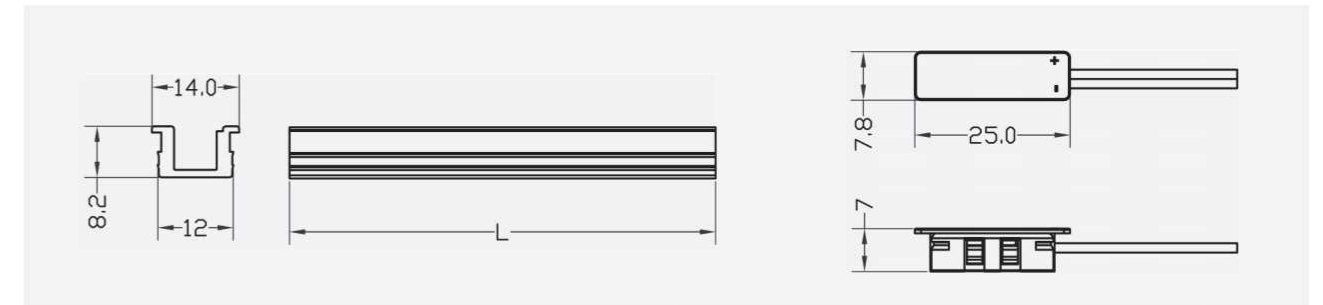
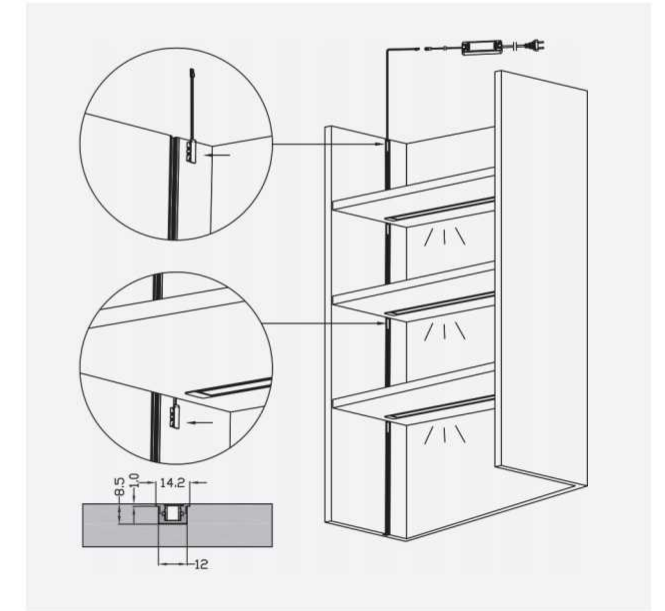
12/24VDC MINI TRACK SYSTEM FOR SHELF DISPLAY

Product Features

Safety low voltage 12/24VDC mini track system for electricity conductive
 Ideal solution to create neat and beauty for shelf display with hidden cables
 Recessed slim track only W14*H8.2mm
 Surface mounted optional with installation bracket
 Sliding conductive connector to adjust for any height shelf display cabinets

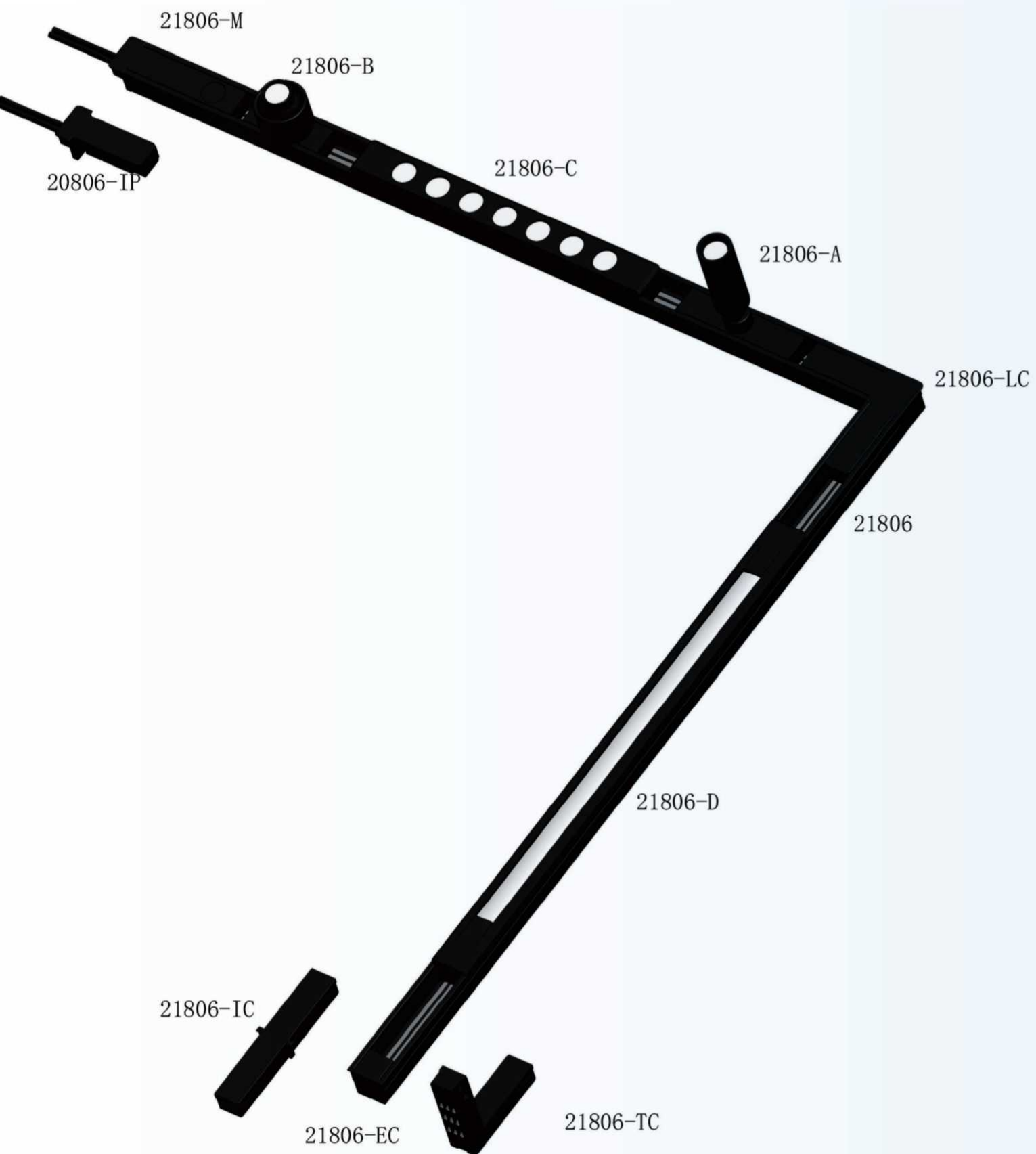
Application scenarios

Cabinet shelf display for home and commercial



Technical data

Model	Input Voltage	Output Voltage	Output Current	Switch Mode	Finish	Size
21800	12/24V	12/24V	5A	N/A	Coffee Brown	LxW14xH8.2mm
21800-LK	12/24V	12/24V	3A	N/A	Coffee Brown	L25xW7.8xH7mm



21806

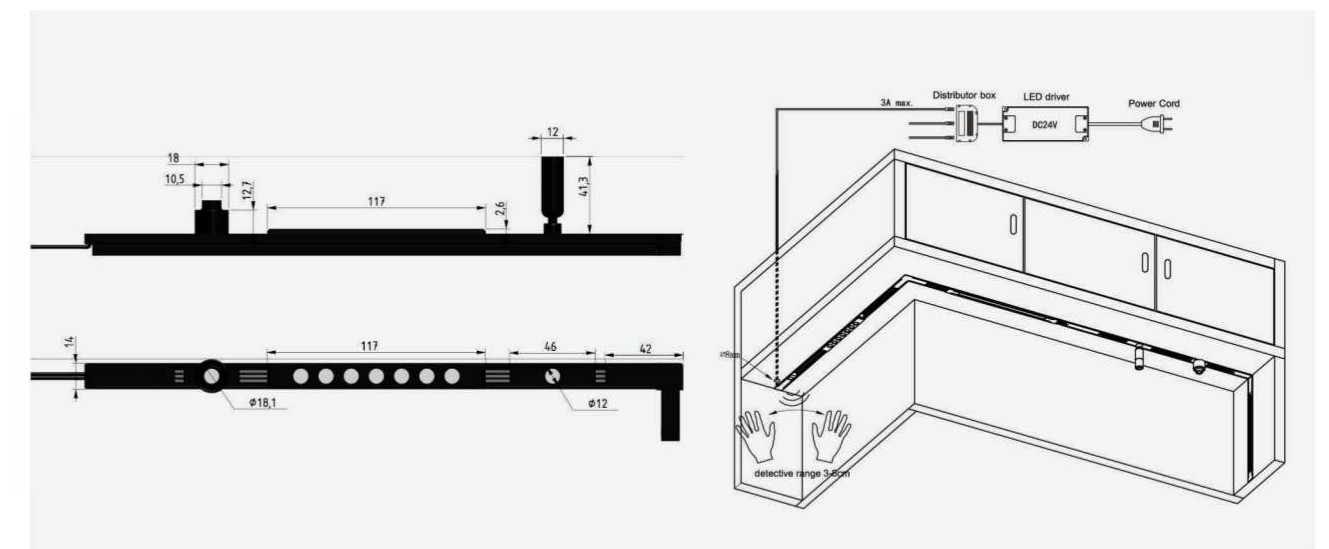
24VDC MINI TRACK LIGHT SYSTEM

Product Features

Safety low voltage 24vdc mini track system
 Recessed track W14*H12mm
 Spot,strip light with various connector accessories for DIY combination

Application Scenarios

Shelf display for home and commercial



Model	Description	Input voltage	Output voltage	Output current	Rated power	Dimension
21806	track	24V	24V	3A		L*W14*H12mm
21806-IP	input connector	24V	24V	3A		L36.8*W14*H11.9mm
21806-M	input connector with movement sensor	24V	24V	3A		L51.3*W14*H12mm
21806-A	spot light	24V	24V		1.2W	L46*W10*H49mm
21806-B	spot light	24V	24V		1W	L30*W18*H25.8mm
21806-C	spot light	24V	24V		7W	L117*W14*H10.4mm
21806-D	strip light	24V	24V		10W/M	L*W14*H9.3mm
21806-TC	90 degree connector	24V	24V	3A		L36.2*W36.2*H10mm
21806-IC	180 degree connector	24V	24V	3A		L57*W14*H7.8mm
21806-LC	90 degree connector	24V	24V	3A		L42*W42*H12mm
21806-EC	end cap	N/A	N/A	N/A		L15.5*W14*H12mm
21806-GDZ	installation clip	N/A	N/A	N/A		L25*W13

L0308/L0410/L0612

IP65 WATERPROOF SILICON TUBE LIGHT



Product Features

Silicon tube protects the LED
Individually cut to length
Bended sideways

Application scenarios

Display shelves, cabinets
Closet, wardrobe
Cloakroom



Item No.	L0308-2835-168-5000-840	L0410-2835-168-5000-840	L0612-2835-120-5000-600
Operating voltage	12V		
LED type & quantity	168pcs 2835/M	168pcs 2835/M	120pcs 2835/M
Colour temperature	4000K		
Power consumption	7.5W		
Luminous flux	290lm	300lm	170lm
Luminous efficiency	48lm/W	85lm/W	48lm/W
Colour rendering index	90		
Efficiency	G	F	G
IP rating	IP65		
Sensor switch	N/A		
Material	Aluminum, PC	PC	
Finish/Color	Silver grey		
Installation	Surface mounted with screw		
Dimension(mm)	L5000×W3×H8mm	L5000×W4×H10mm	L5000×W6×H12mm
Supplied with	1500mm cable and plug		

L01-2835-060/120/168

LED FLEXIBLE STRIP LIGHT



Product Features

Flexible, self-adhesive, can be cut to length
Can be combined with aluminum profiles

Application scenarios

Display shelves, cabinets
Closet, wardrobe
Cloakroom

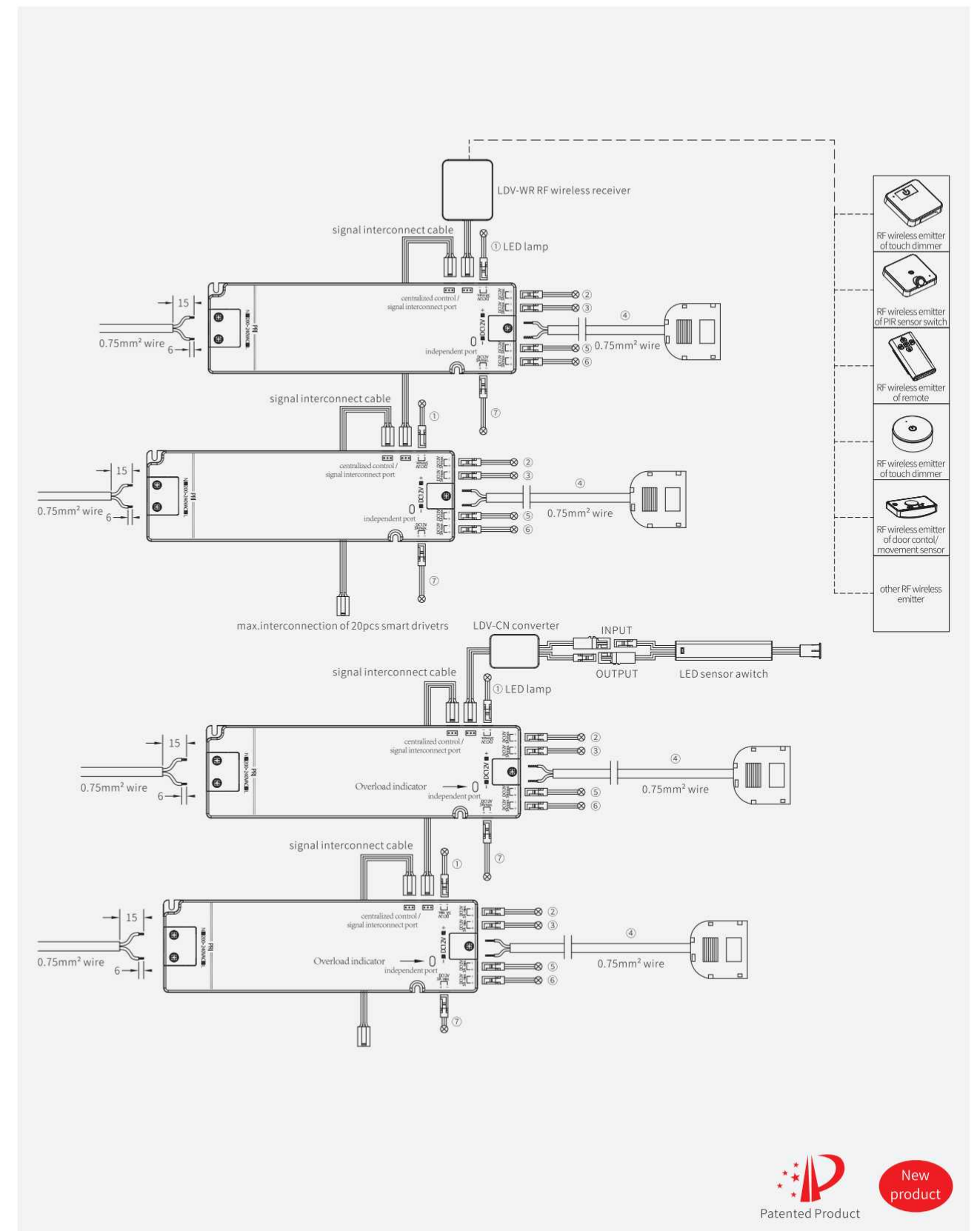



Item No.	L01-2835-060-5000-300-NW	L01-2835-120-5000-600-NW	L01-2835-168-5000-840-NW
Operating voltage	12V		
LED type & quantity	60pcs 2835/M	120pcs 2835/M	168pcs 2835/M
Colour temperature	4000K		
Power consumption	4.8W	7.5W	12W
Luminous flux	290lm	300lm	170lm
Luminous efficiency	60lm/W	40lm/W	48lm/W
Colour rendering index	90		
Efficiency	G	F	G
IP rating	IP20		
Sensor switch	N/A		
Material	Aluminum, PC	PC	
Finish/Color	Silver grey		
Installation	Surface mounted with screw		
Dimension(mm)	L5000×W8mm		
Supplied with	1500mm cable and plug		



LDV-12V/24V

SMART LED DRIVER FOR CENTRALIZED SENSOR CONTROL LDV 60W






More Powerful

* Max. 20pcs drivers connected for 1200W output lamps


* Centralized control of wired sensor and RF wireless sensor intergrated, with easy switchover

* Centralized sensor control and independent sensor control




Lower Cost

Less sensors installed for lower cost



Easier Operation

Less sensors installed for easier operation



Safer

Visible overload indicator reminding when output lamp > 90% rated power

Product Features

- Smart LED driver in series connection (max. 20pcs) for powerful output lamp Consumption (1200W)
- Centralized sensor control of both wired sensor and RF wireless sensor
- Centralized sensor control and independent sensor intergrated
- Overload indicator light



LDV-12V/24V

SMART LED DRIVER FOR CENTRALIZED/INDEPEDENT SENSOR CONTROL 24W,36W,60W,100W

Product Features

Overload protection
Over voltage protection
Over temperature protection
Short circuit protection

Standards

Safety according to EN61347-1, EN61347-2-13
EMI according to EN55015
EMS according to EN61000-3-2, EN61000-3-3, EN61547
EMF according to EN62493
ERP according to EN1194-2012

Marks and Symbols



Technical data

Item No.	Input Voltage	Output Voltage	Power	Power Factor	Size L*W*H	Picture
LDV-12V24W	200-240VAC	12VDC	24W	>0.9	141.5x45.2xH16.5mm	
LDV-24V24W	200-240VAC	24VDC	24W	>0.9	141.5x45.2xH16.5mm	
LDV-12V36W	200-240VAC	12VDC	36W	>0.9	176.5x51xH17.5mm	
LDV-24V36W	200-240VAC	24VDC	36W	>0.9	176.5x51xH17.5mm	
LDV-12V60W	200-240VAC	12VDC	60W	>0.9	210x62xH18.5mm	
LDV-24V60W	200-240VAC	24VDC	60W	>0.9	210x62xH18.5mm	
LDV-12V100W	200-240VAC	12VDC	100W	>0.95	228x71.5xH19.2mm	
LDV-12V100W	200-240VAC	24VDC	100W	>0.95	228x71.5xH19.2mm	

LDE-A12V/24V

PLUG & PLAY SMART LED DRIVER FOR CENTRALIZED SENSOR CONTROL 15W,24W,36W,60W,100W

Product Features

Overload protection
Over voltage protection
Over temperature protection
Short circuit protection

Standards

Safety according to EN61347-1, EN61347-2-13
EMI according to EN55015
EN61547
EMF according to EN62493
ERP according to EN1194-2012

Marks and Symbols



Technical data

Item No.	Input Voltage	Output Voltage	Power	Power Factor	Size L*W*H	Picture
LDE-A12V15W	200-240VAC	12VDC	15W	>0.5	125x45x18mm	
LDE-A24V15W	200-240VAC	24VDC	15W	>0.5	125x45x18mm	
LDE-A12V24W	200-240VAC	12VDC	24W	>0.5	125x45x18mm	
LDE-A24V24W	200-240VAC	24VDC	24W	>0.5	125x45x18mm	
LDE-A12V36W	200-240VAC	12VDC	36W	>0.5	144x50x18mm	
LDE-A24V36W	200-240VAC	24VDC	36W	>0.5	144x50x18mm	
LDE-A12V60W	200-240VAC	12VDC	60W	>0.5	172x61x18mm	
LDE-A24V60W	200-240VAC	24VDC	60W	>0.5	172x61x18mm	
LDE-A12V100W	200-240VAC	12VDC	100W	>0.5	201x71x18mm	
LDE-A24V100W	200-240VAC	24VDC	100W	>0.5	201x71x18mm	

OYH-G12/24V

TUV CERTIFIED HIGH EFFICIENCY SLIM SERIES 15W,24W,36W,60W,100W

Product Features

Overload protection
Over voltage protection
Over temperature protection
Short circuit protection

Standards

Safety according to EN61347-1, EN61347-2-13
EMI according to EN55015
EMS according to EN61000-3-2, EN61000-3-3, EN61547
EMF according to EN62493
ERP according to EN1194-2012

Marks and Symbols



Technical data

Item No.	Input Voltage	Output Voltage	Power	Power Factor	Size L*W*H	Picture
OYH-G12V15W-2	200-240VAC	12VDC	15W	>0.8	130x46x16mm	
OYH-G24V15W-2	200-240VAC	24VDC	15W	>0.8	130x46x16mm	
OYH-G12V24W-2	200-240VAC	12VDC	24W	>0.8	130x46x16mm	
OYH-G24V24W-2	200-240VAC	24VDC	24W	>0.8	130x46x16mm	
OYH-G12V36W-2	200-240VAC	12VDC	36W	>0.9	145x52x18mm	
OYH-G24V36W-2	200-240VAC	24VDC	36W	>0.9	145x52x18mm	
OYH-G12V60W-2	200-240VAC	12VDC	60W	>0.9	179x61x18mm	
OYH-G24V60W-2	200-240VAC	24VDC	60W	>0.9	179x61x18mm	
OYH-B12V100W-2	200-240VAC	12VDC	100W	>0.95	235x71x18mm	
OYH-B24V100W-2	200-240VAC	24VDC	100W	>0.95	235x71x18mm	

LDJ-12V

PLUG & PLAY ECONOMIC SERIES WITH SENSOR SOCKET 15W,24W,36W,60W,100W

Product Features

Overload protection
Over voltage protection
Over temperature protection
Short circuit protection

Standards

Safety according to EN61347-1, EN61347-2-13
EMF according to EN62493
ERP according to EN1194-2012

Marks and Symbols



Technical data

Item No.	Input Voltage	Output Voltage	Power	Power Factor	Size L*W*H	Picture
LDJ-12V15W	200-240VAC	12VDC	15W	>0.5	110x46x20.5mm	
LDJ-12V24W	200-240VAC	12VDC	24W	>0.5	110x46x20.5mm	
LDJ-12V36W	200-240VAC	12VDC	36W	>0.5	135x50x20.5mm	
LDJ-12V60W	200-240VAC	12VDC	60W	>0.5	170x60x21mm	
LDJ-12V100W	200-240VAC	12VDC	100W	>0.5	195x60x21.5mm	

LDN-12V/24V

HIGH POWER SERIES LDN 150/200W

Product Features

- Overload protection
- Over voltage protection
- Over temperature protection
- Short circuit protection

Standards

- Safety according to EN61347-1, EN61347-2-13
- EMI according to EN550015
- EMS according to EN61000-3-2, EN61000-3-3, EN61547
- EMF according to EN62493
- ERP according to EN1194-2012

Marks and Symbols



Technical data

Item No.	Input Voltage	Output Voltage	Power	Power Factor	Size L×W×H	Picture
LDN-12V150W	200-240VAC	12VDC	150W	>0.9	205×70×35mm	
LDN-24V150W	200-240VAC	24VDC	150W	>0.9	205×70×35mm	
LDN-12V200W	200-240VAC	12VDC	200W	>0.9	205×70×35mm	
LDN-24V200W	200-240VAC	24VDC	200W	>0.9	205×70×35mm	

LDL-12V/24V

SUPER SLIM SMART LED DRIVER FOR CENTRALIZED SENSOR CONTROL 24W,36W,60W,100W

Product Features

- Overload protection
- Over voltage protection
- Over temperature protection
- Short circuit protection

Standards

- Safety according to EN61347-1, EN61347-2-13
- EMI according to EN550015
- EMS according to EN61000-3-2, EN61000-3-3, EN61547
- EMF according to EN62493
- ERP according to EN1194-2012

Marks and Symbols



Technical data

Item No.	Input Voltage	Output Voltage	Power	Power Factor	Size L×W×H	Picture
LDL-12V24W	DC12/24V	DC12/24V	24	0.8	170*55.5*13.5	
LDL-24V24W	DC12/24V	DC12/24V	24	0.8	170*55.5*13.5	
LDL-12V36W	DC12/24V	DC12/24V	36	0.95	170*55.5*13.5	
LDL-24V36W	DC12/24V	DC12/24V	36	0.95	170*55.5*13.5	
LDL-12V60W	DC12/24V	DC12/24V	60	0.95	230*74*13.5	
LDL-24V60W	DC12/24V	DC12/24V	60	0.95	230*74*13.5	
LDL-12V100W	DC12/24V	DC12/24V	100	0.95	230*74*13.5	
LDL-24V100W	DC12/24V	DC12/24V	100	0.95	230*74*13.5	

96691D,96691W,96691M,96691P

LOW VOLTAGE WIRED SENSOR-REPLACEABLE DETECTOR SINGLE

96692D/96692W/96692M/96692P

LOW VOLTAGE WIRED SENSOR-REPLACEABLE DETECTOR DOUBLE

Product Features

12/24VDC
 Recessed & surface mounted
 Different connector system for direct centralized control with smart driver

Application Scenarios

Touch dimmer
 door control
 movement
 PIR sensor optional

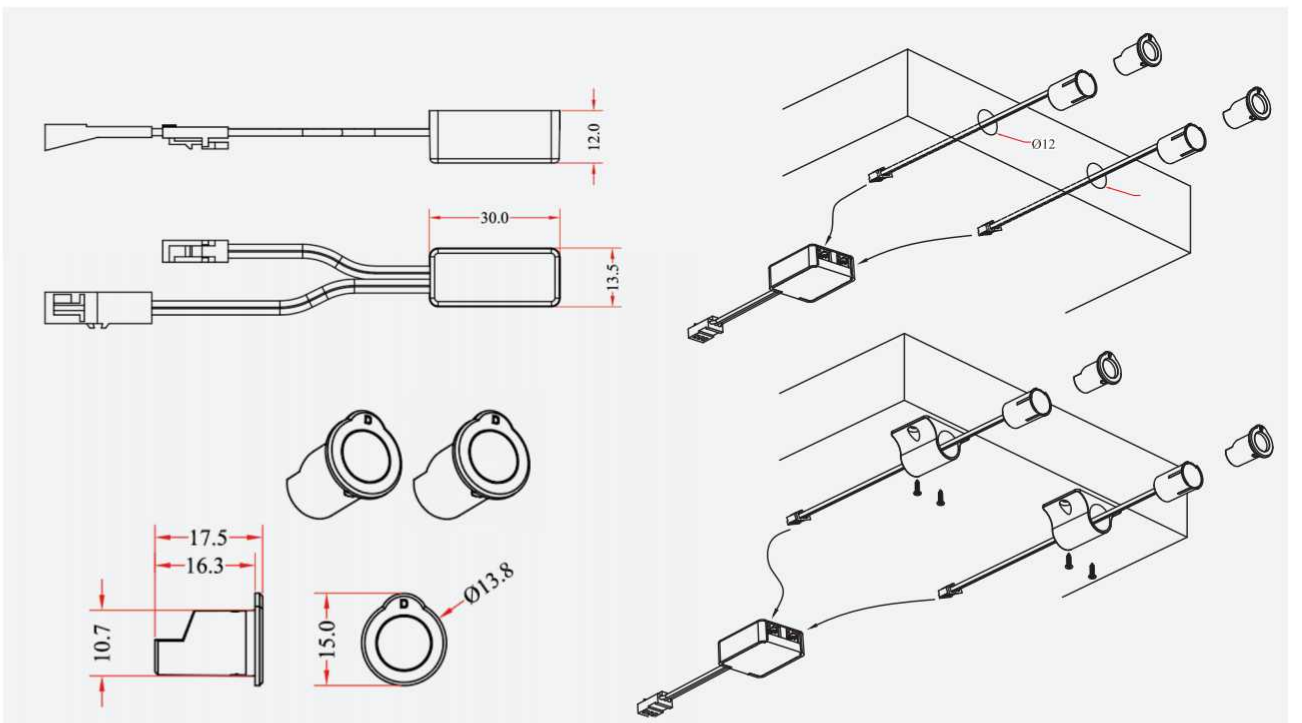
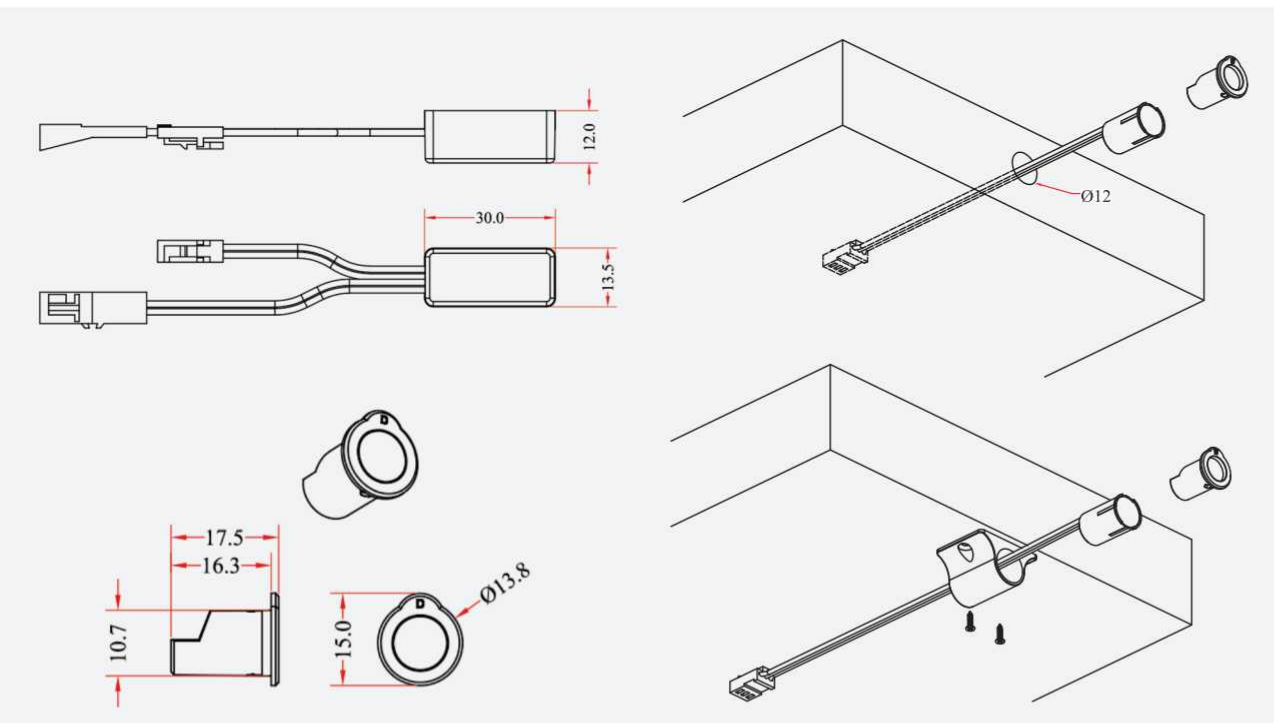


Product Features

12/24VDC
 Recessed & surface mounted
 Different connector system for direct centralized control with smart driver

Application Scenarios

Touch dimmer
 door control
 movement
 PIR sensor optional



Technical data

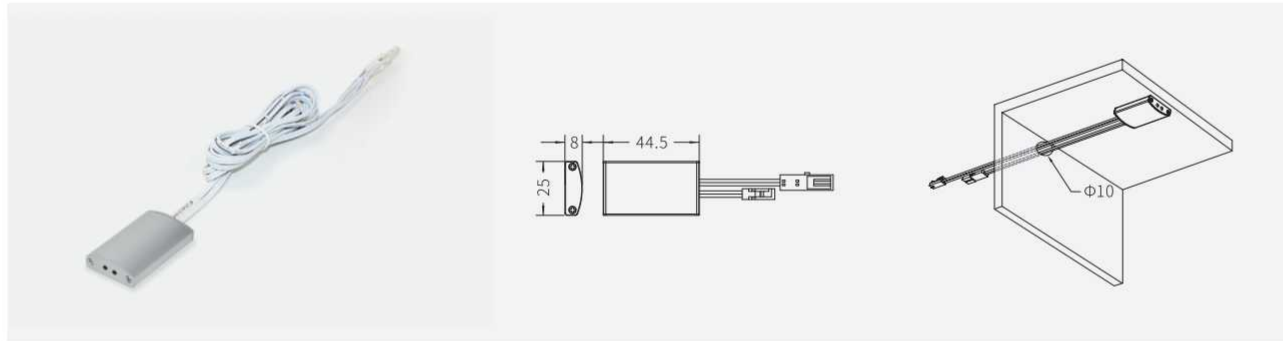
Item No.	Input Voltage	Output Voltage	Output Current	Switch Mode	Detecting Range	Finish	Size
96691D	DC12/24V	DC12/24V	3A	Touch dimmer	Touch plate	Anthracite	Φ13.8*H17.5
96691W	DC12/24V	DC12/24V	3A	Door control	6-10cm	Anthracite	Φ13.8*H17.5
96691M	DC12/24V	DC12/24V	3A	Movement sensor	4-6CM	Anthracite	Φ13.8*H17.5
96691P	DC12/24V	DC12/24V	3A	PIR	1-3M	Anthracite	Φ13.8*H17.5

Technical data

Item No.	Input Voltage	Output Voltage	Output Current	Switch Mode	Detecting Range	Finish	Size
96692D	DC12/24V	DC12/24V	3A	Touch dimmer	Touch plate	Anthracite	Φ13.8*H17.5
96692W	DC12/24V	DC12/24V	3A	Door control	6-10cm	Anthracite	Φ13.8*H17.5
96692M	DC12/24V	DC12/24V	3A	Movement sensor	4-6CM	Anthracite	Φ13.8*H17.5
96692P	DC12/24V	DC12/24V	3A	PIR	1-3M	Anthracite	Φ13.8*H17.5

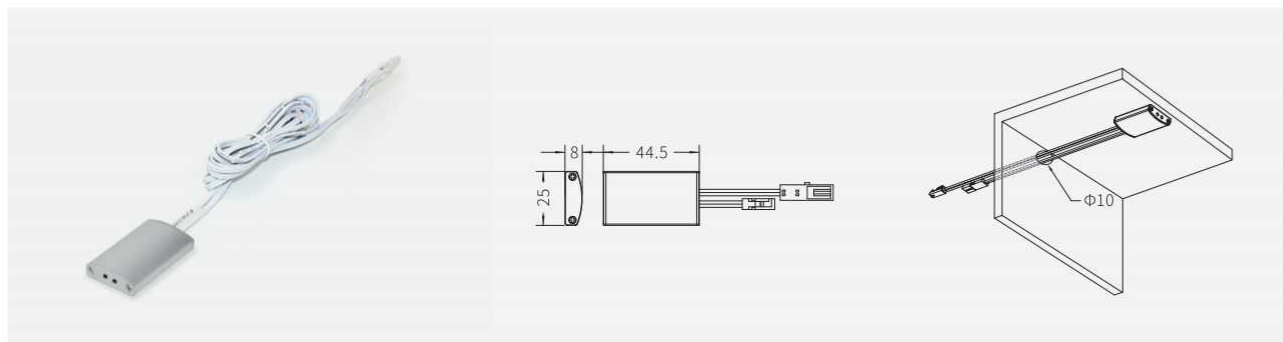
96659W/96659M/96659D

LOW VOLTAGE SENSOR--ALUMINUM HOUSING, DOOR/MOVEMENT /TOUCH DIMMER



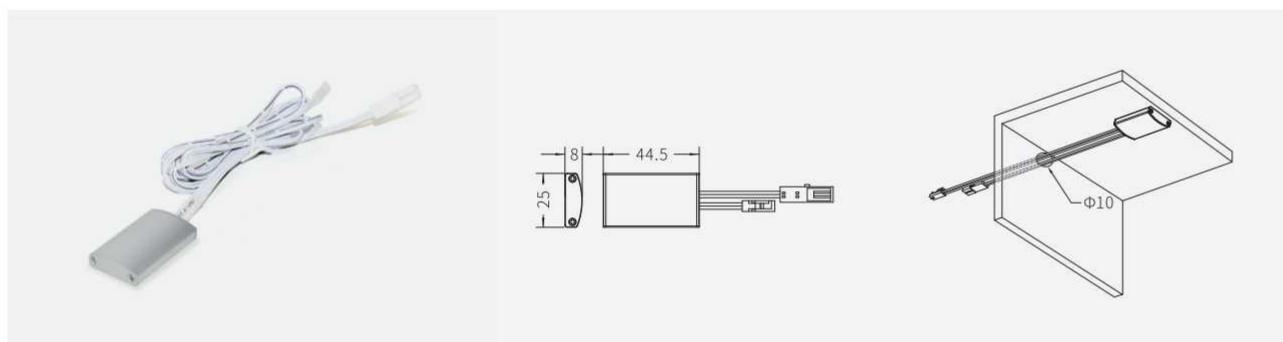
Technical data

Item No.	Input Voltage	Output Voltage	Output Current	Switch mode	Detecting Range	Finish	Size
96659W	12/24VDC	12/24VDC	3A	Door control	4-20cm	Silver grey	L44.5×W25×H8mm



Technical data

Item No.	Input Voltage	Output Voltage	Output Current	Switch mode	Detecting Range	Finish	Size
96659M	12/24VDC	12/24VDC	3A	Movement sensor	5-20cm	Silver grey	L44.5×W25×H8mm

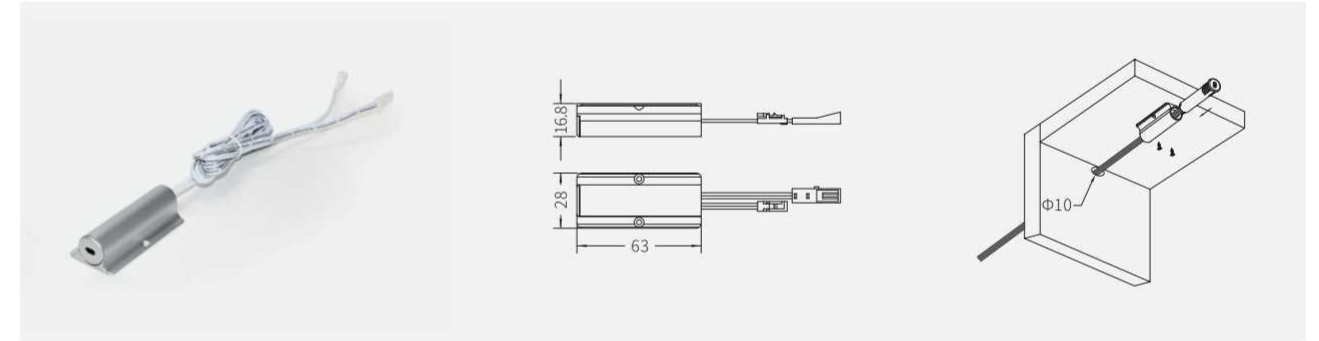


Technical data

Item No.	Input Voltage	Output Voltage	Output Current	Switch mode	Detecting Range	Finish	Size
96659D	12/24VDC	12/24VDC	3A	Touch dimmer	Aluminum body	Silver grey	L44.5×W25×H8mm

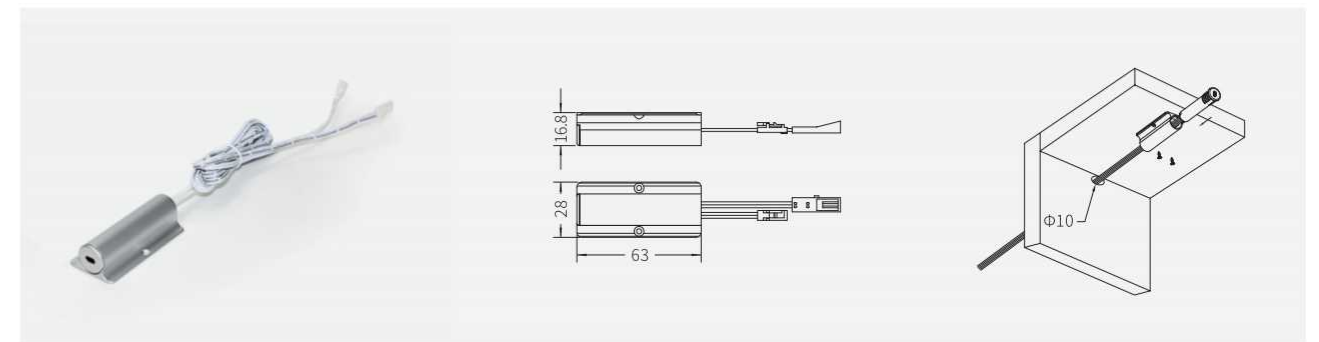
96607B/96617B/96637B

INDEPENDENT LOW VOLTAGE SENSOR--DOOR /MOVEMENT /PIR



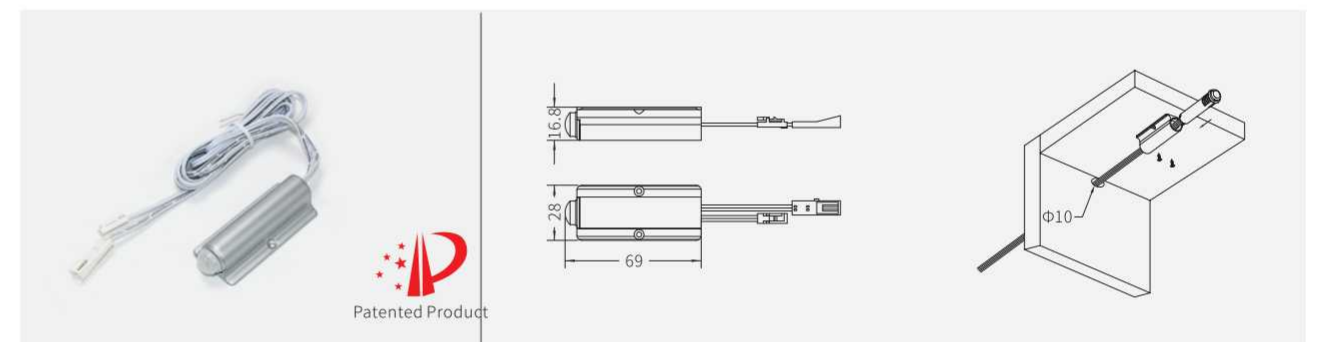
Technical data

Item No.	Input Voltage	Output Voltage	Output Current	Switch mode	Detecting Range	Finish	Size
96607B	12/24VDC	12/24VDC	3A	Door control	4-20cm	Silver grey	L63×W28×H16.8mm



Technical data

Item No.	Input Voltage	Output Voltage	Output Current	Switch mode	Detecting Range	Finish	Size
96617B	12/24VDC	12/24VDC	3A	Movement sensor	5-20cm	Silver grey	L63×W28×H16.8mm

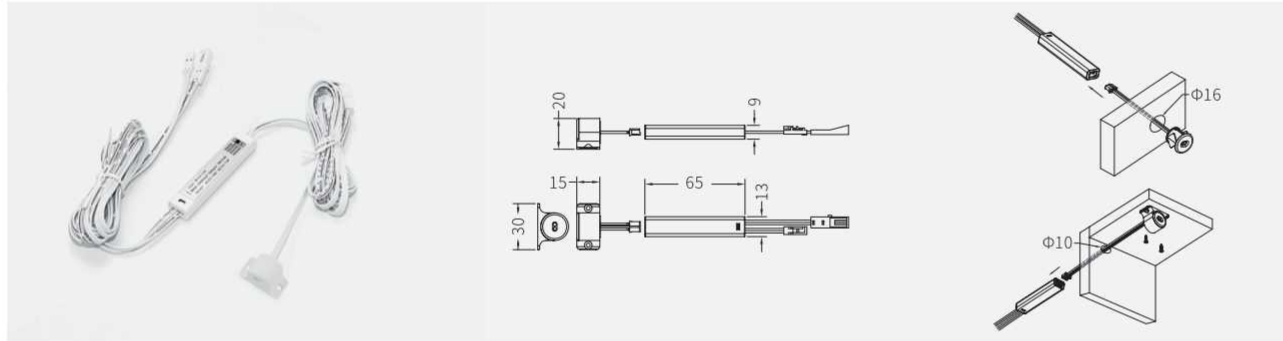


Technical data

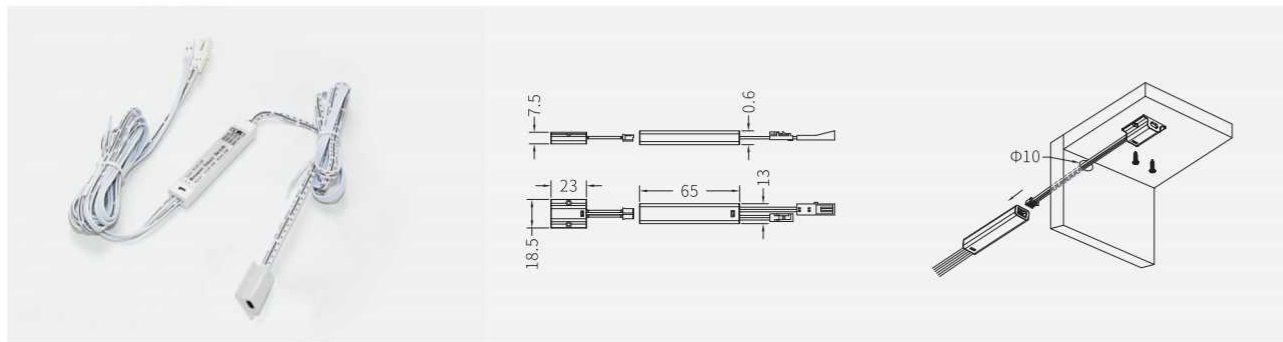
Item No.	Input Voltage	Output Voltage	Output Current	Switch mode	Detecting Range	Finish	Size
96637B	12/24VDC	12/24VDC	3A	PIR	1-3M, time delay 45S	Silver grey	L69×W28×H16.8mm

96608B/96608S/96608C

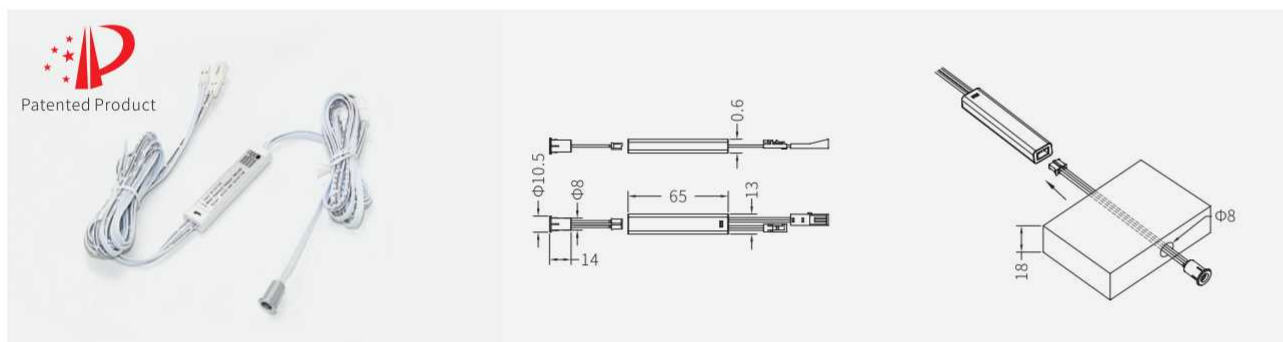
SEPARATED LOW VOLTAGE SENSOR--DOOR SENSOR



Technical data							
Item No.	Input Voltage	Output Voltage	Output Current	Switch mode	Detecting Range	Finish	Size
96608B	12/24VDC	12/24VDC	3A	Door control	4-20cm	White,Black	L30×W15×H20mm



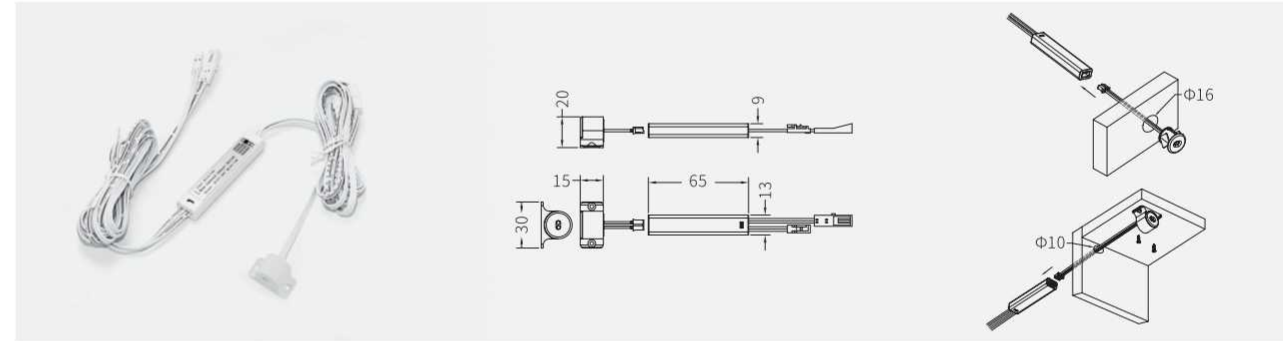
Technical data							
Item No.	Input Voltage	Output Voltage	Output Current	Switch mode	Detecting Range	Finish	Size
96608S	12/24VDC	12/24VDC	3A	Door control	4-20cm	White,Black	L23×W18.5×H7.5mm



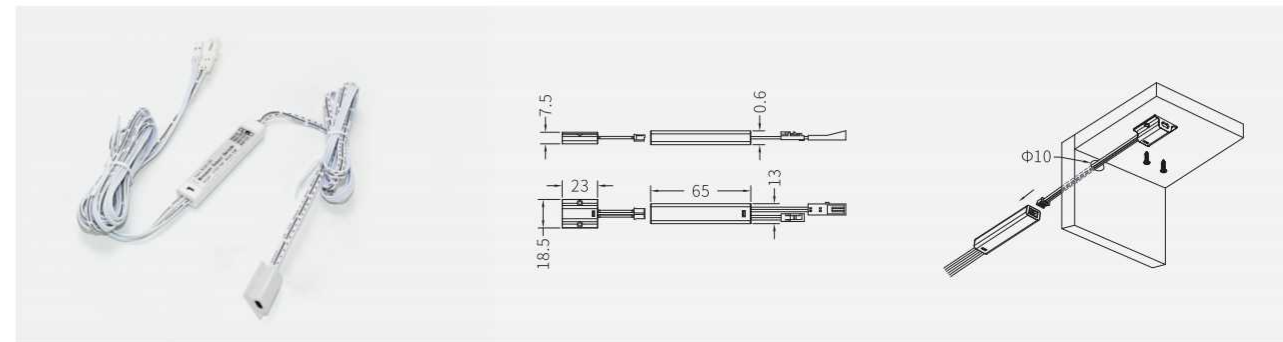
Technical data							
Item No.	Input Voltage	Output Voltage	Output Current	Switch mode	Detecting Range	Finish	Size
96608C	12/24VDC	12/24VDC	3A	Door control	4-20cm	White,Black	Φ13×H10.5mm

96618B/96618S/96618C

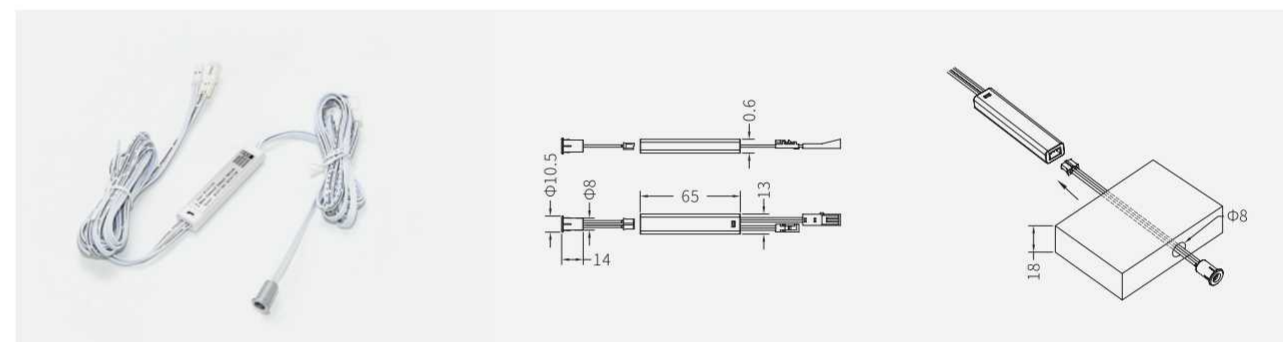
SEPARATED LOW VOLTAGE SENSOR--MOVEMENT SENSOR



Technical data							
Item No.	Input Voltage	Output Voltage	Output Current	Switch mode	Detecting Range	Finish	Size
96618B	12/24VDC	12/24VDC	3A	Movement sensor	5-20cm	White,Black	L30×W15×H20mm



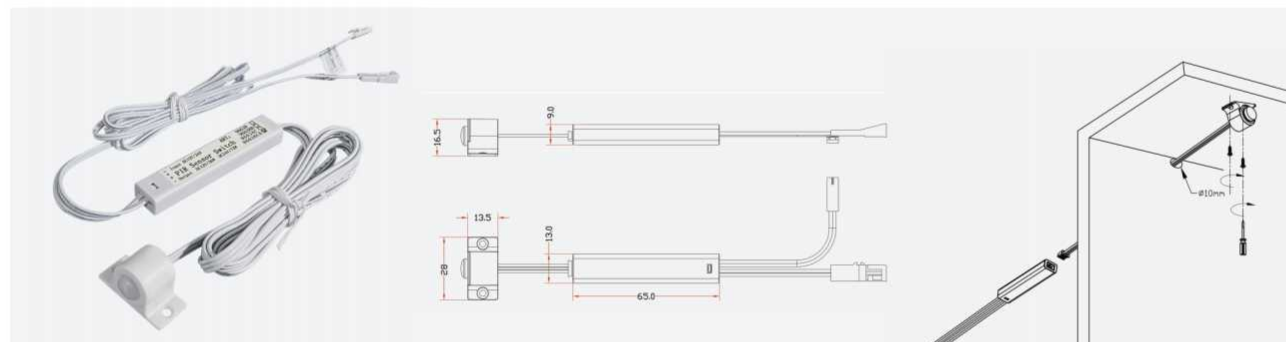
Technical data							
Item No.	Input Voltage	Output Voltage	Output Current	Switch mode	Detecting Range	Finish	Size
96618S	12/24VDC	12/24VDC	3A	Movement sensor	5-20cm	White,Black	L23×W18.5×H7.5mm



Technical data							
Item No.	Input Voltage	Output Voltage	Output Current	Switch mode	Detecting Range	Finish	Size
96618C	12/24VDC	12/24VDC	3A	Movement sensor	5-20cm	White,Black	Φ13×H10.5mm

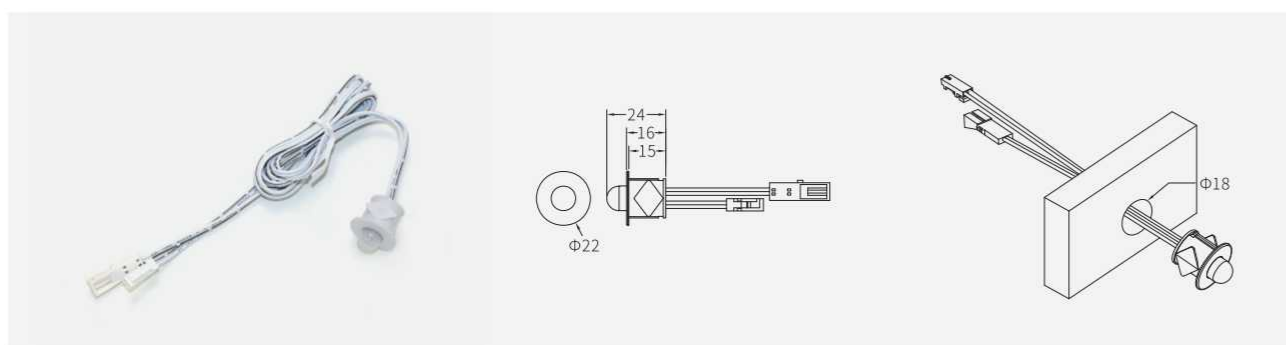
96638CB/96648P/96677P

SEPARATED LOW VOLTAGE SENSOR-PIR SENSOR



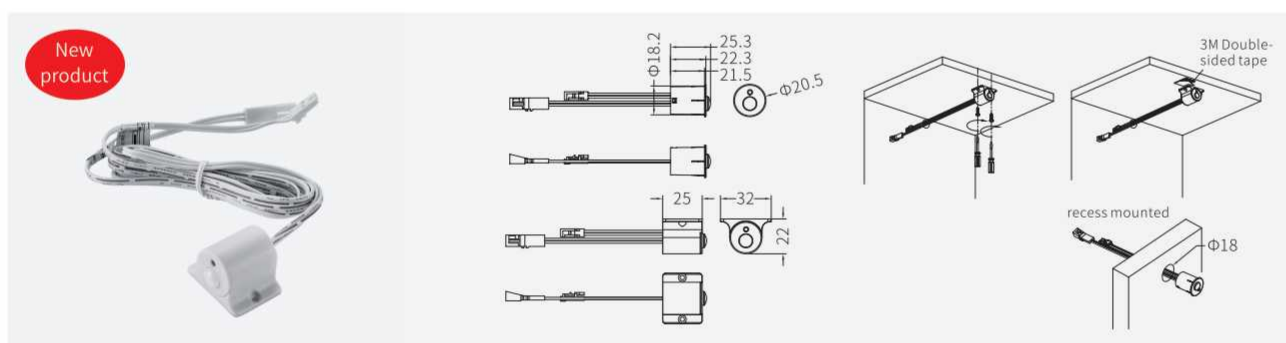
Technical data

Model	Input Voltage	Output Voltage	Output Current	Switch Mode	Detecting Range	Finish	Size
96638CB	12/24V	12/24V	3A	PIR	1-3M, time delay 45S	White, Black	L28*W13.5*H16.5



Technical data

Model	Input Voltage	Output Voltage	Output Current	Switch mode	Detecting Range	Finish	Size
96648P	12/24VDC	12/24VDC	3A	PIR	1-3M, time delay 45S	Silver grey/ Black/White	φ22×H16mm

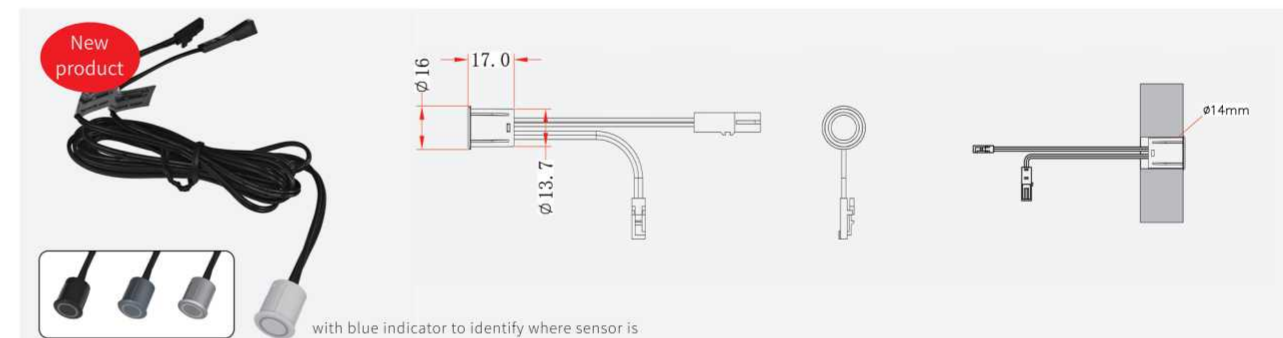


Technical data

Model	Input Voltage	Output Voltage	Output Current	Switch mode	Detecting Range	Finish	Size
96677P	12/24VDC	12/24VDC	3A	PIR switch with light sensor	1-3M, time delay 45S	Black	L25×W32×H22mm

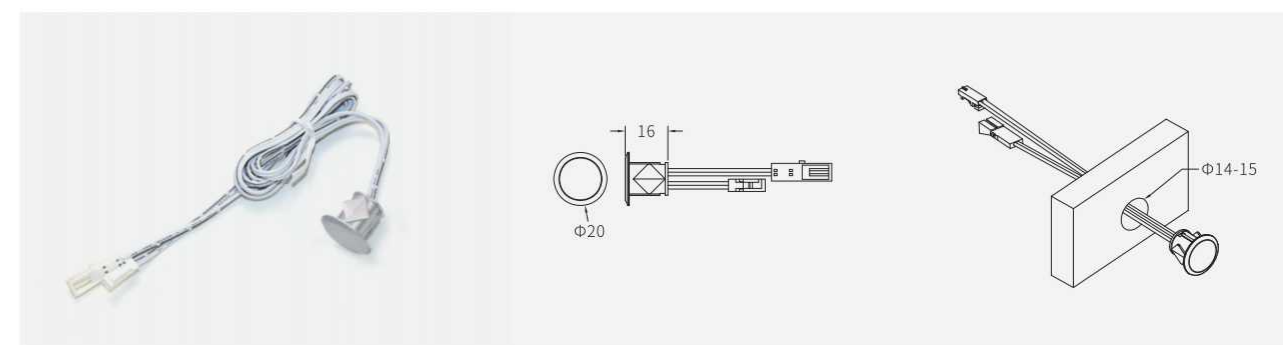
96648D-B/96678D/96681D

SEPARATED LOW VOLTAGE SENSOR-LED touch dimmer



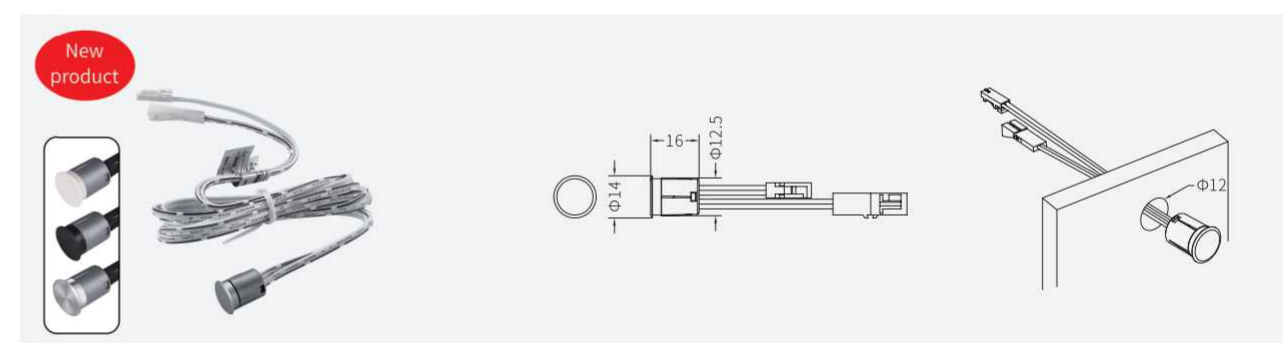
Technical data

Model	Input Voltage	Output Voltage	Output Current	Switch Mode	Detecting Range	Finish	Size
96681D	12/24V	12/24V	3A	Touch dimmer	Touch plate	White,Black, Steel grey,Silver grey	16*H17



Technical data

Model	Input Voltage	Output Voltage	Output Current	Switch mode	Detecting Range	Finish	Size
96648D-B	12/24VDC	12/24VDC	3A	Touch dimmer	Touch plate	White,Black, Silver	φ20×H16mm

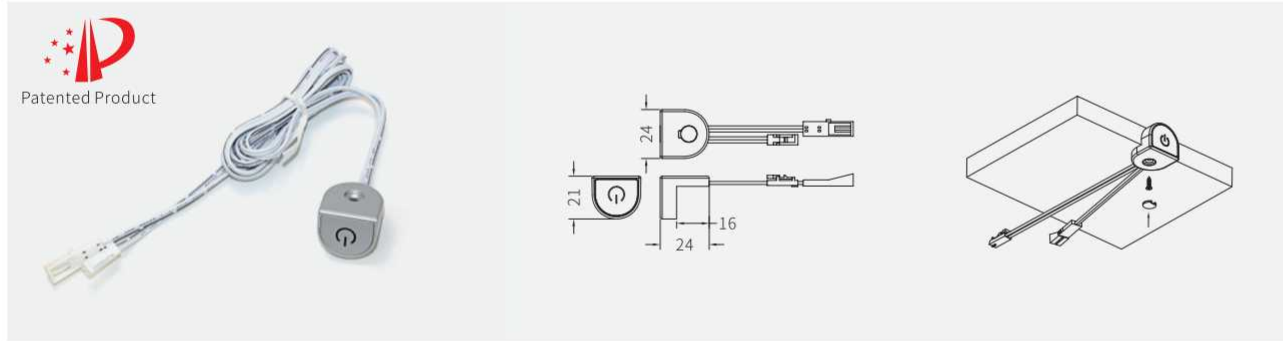


Technical data

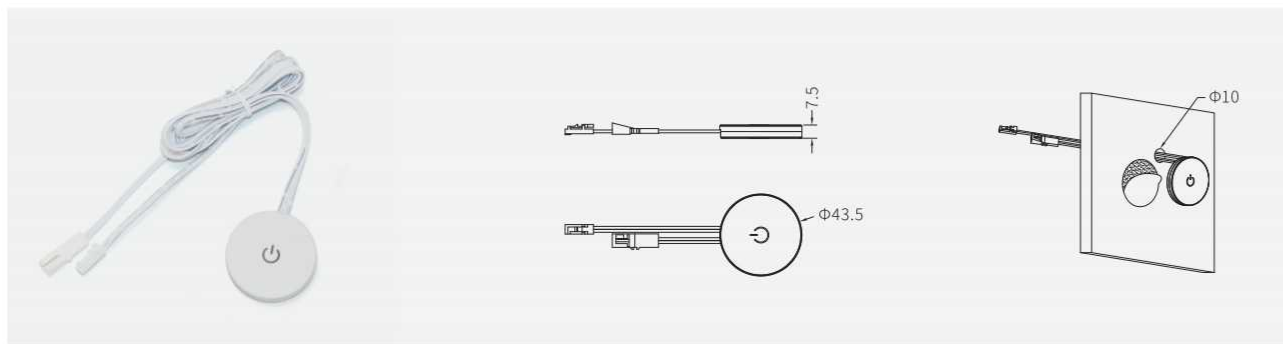
Model	Input Voltage	Output Voltage	Output Current	Switch mode	Detecting Range	Finish	Size
96678D	12/24VDC	12/24VDC	3A	Touch dimmer	Touch plate	White/Black/Grey Silver grey/Chorme	φ14×H16mm

96661D/96663D/96663

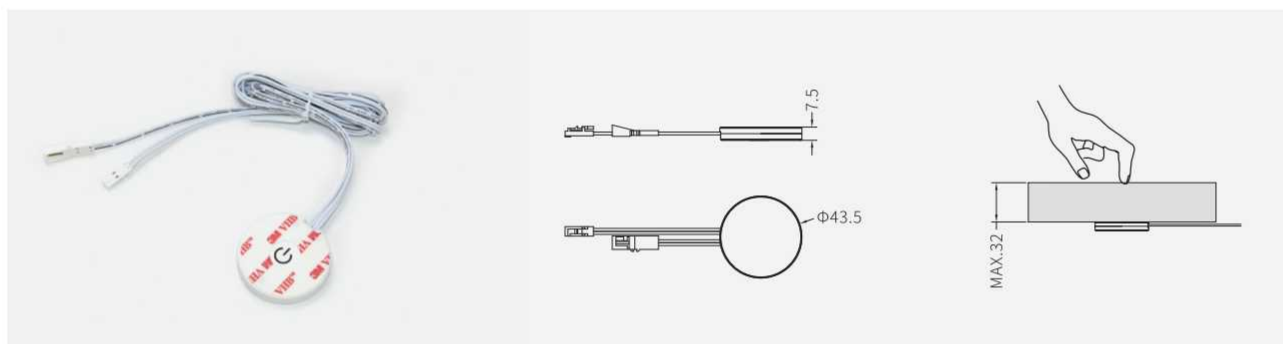
LOW VOLTAGE SENSOR--TOUCH SWITCH & DIMMER



Technical data							
Item No.	Input Voltage	Output Voltage	Output Current	Switch mode	Detecting Range	Finish	Size
96661D	12/24VDC	12/24VDC	3A	Touch dimmer	Touch plate	Silver	L24×W24×H21mm



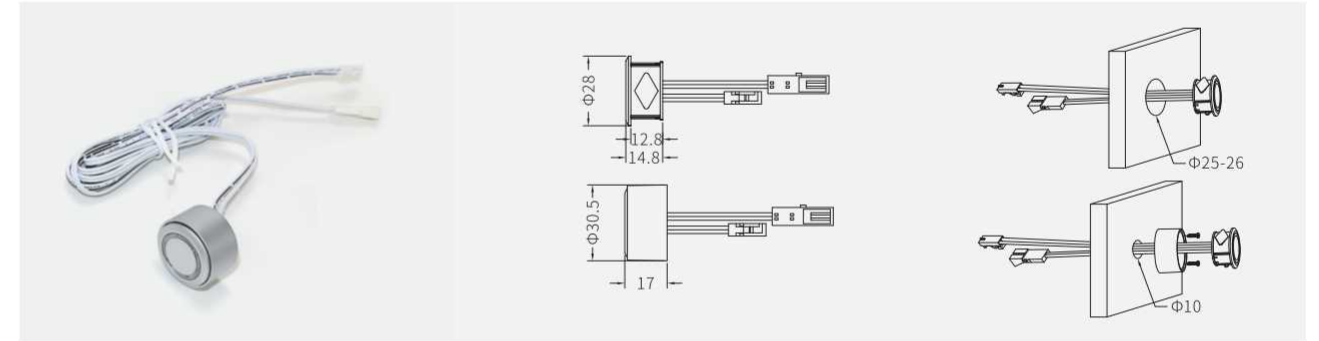
Technical data							
Item No.	Input Voltage	Output Voltage	Output Current	Switch mode	Detecting Range	Finish	Size
96663D	12/24VDC	12/24VDC	3A	Touch dimmer	Touch plate	White	φ43.5×H7mm



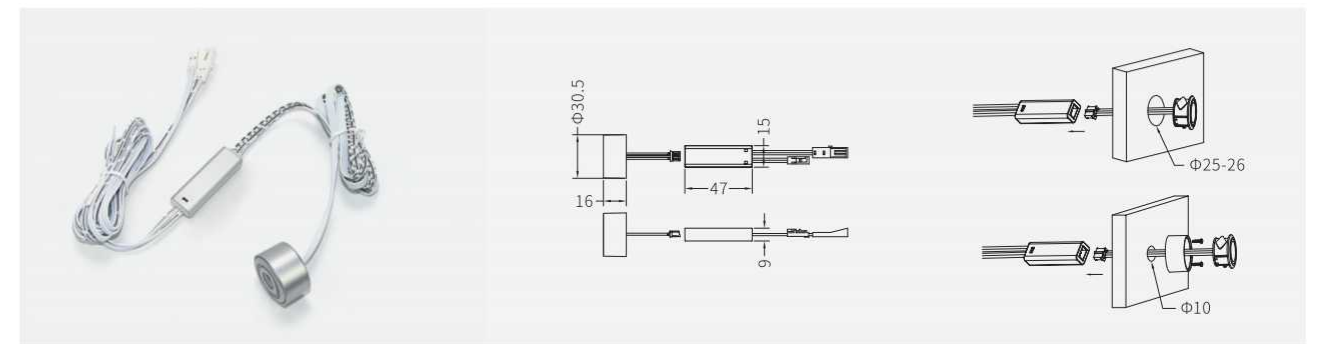
Technical data							
Item No.	Input Voltage	Output Voltage	Output Current	Switch mode	Detecting Range	Finish	Size
96663	12/24VDC	12/24VDC	3A	Touch switch	furniture surface beneath switch	White	φ43.5×H7mm

96652/96653

IP 44 LOW VOLTAGE SENSOR--TOUCH DIMMER/ MOVEMENT SWITCH



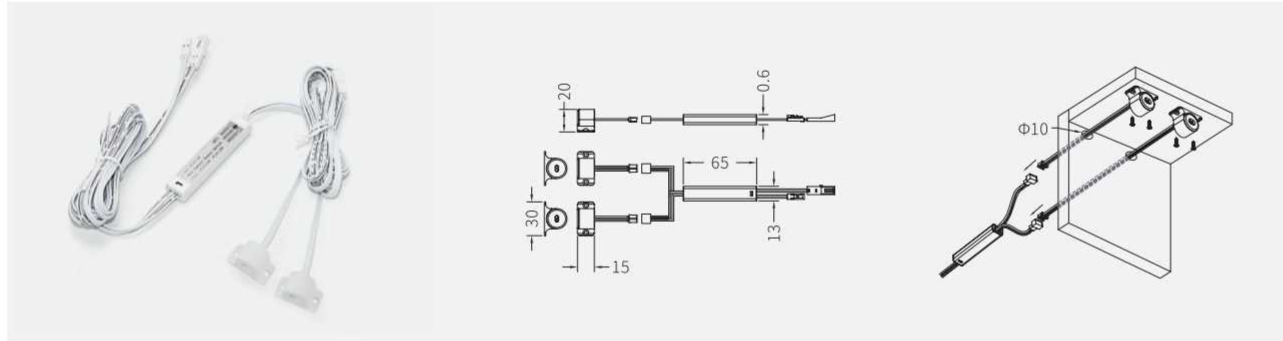
Technical data							
Item No.	Input Voltage	Output Voltage	Output Current	Switch mode	Detecting Range	Finish	Size
96652	12/24VDC	12/24VDC	3A	Touch dimmer	Touch plate	Silver	φ30.5×H16mm



Technical data							
Item No.	Input Voltage	Output Voltage	Output Current	Switch mode	Detecting Range	Finish	Size
96653	12/24VDC	12/24VDC	3A	Movement sensor	5-20cm	Silver	φ30.5×H16mm

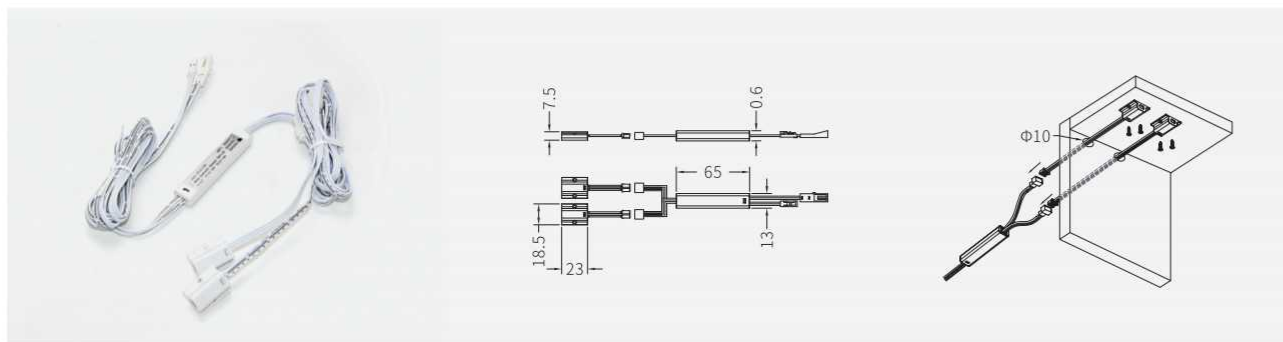
96609B/96609S/96609C

SEPARATED LOW VOLTAGE SENSOR--DOUBLE DETECTOR DOOR SENSOR



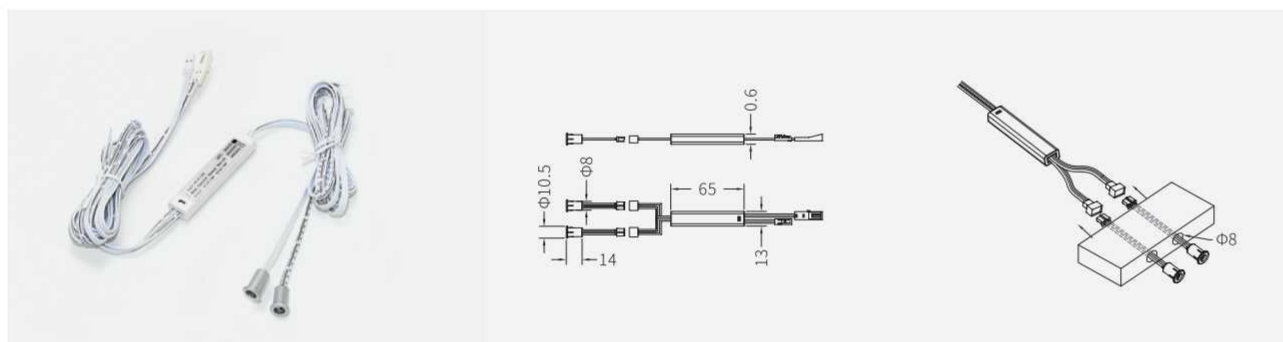
Technical data

Item No.	Input Voltage	Output Voltage	Output Current	Switch mode	Detecting Range	Finish	Size
96609B	12/24VDC	12/24VDC	3A	Door control (double detector)	4-20cm	White,Black	L30×W15×H20mm



Technical data

Item No.	Input Voltage	Output Voltage	Output Current	Switch mode	Detecting Range	Finish	Size
96609S	12/24VDC	12/24VDC	3A	Door control (double detector)	4-20cm	White,Black	L23×W18.5×H7.5mm

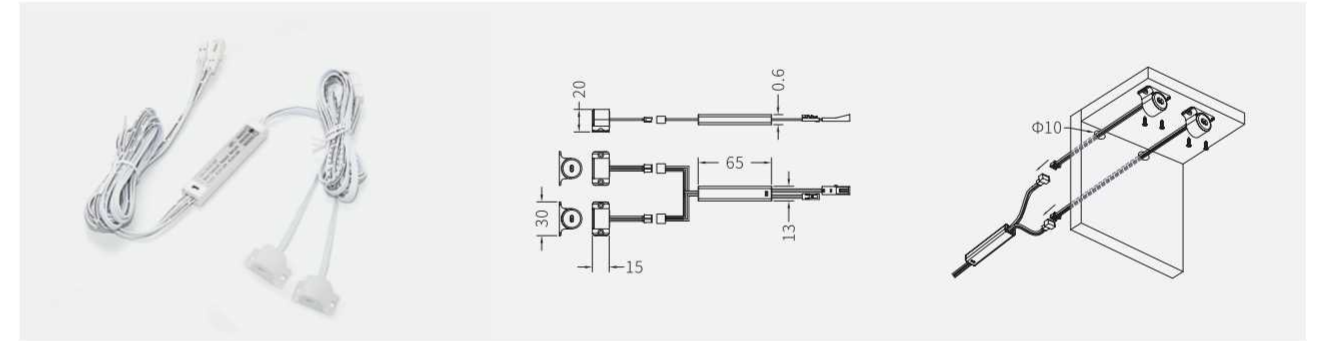


Technical data

Item No.	Input Voltage	Output Voltage	Output Current	Switch mode	Detecting Range	Finish	Size
96609C	12/24VDC	12/24VDC	3A	Door control (double detector)	4-20cm	White,Black	φ13×H10.5mm

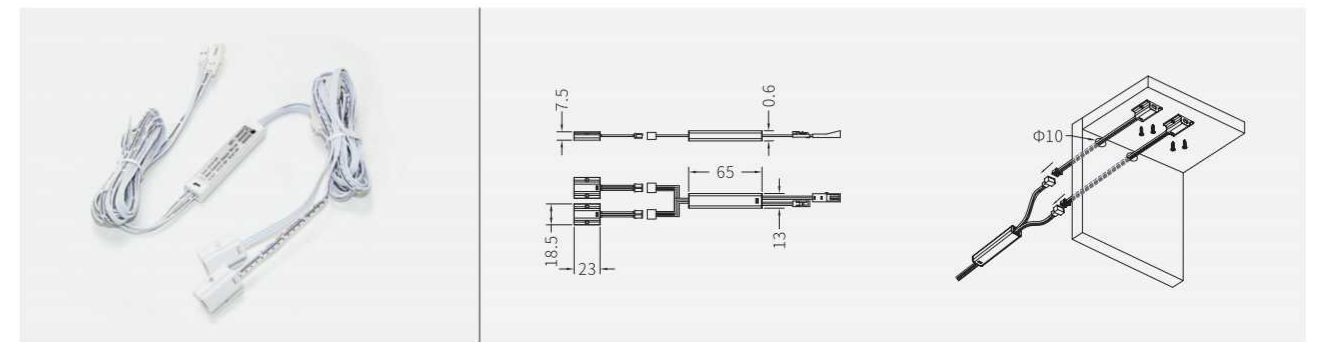
96619B/96619S/96619C

SEPARATED LOW VOLTAGE SENSOR--DOUBLE DETECTOR MOVEMENT SENSOR



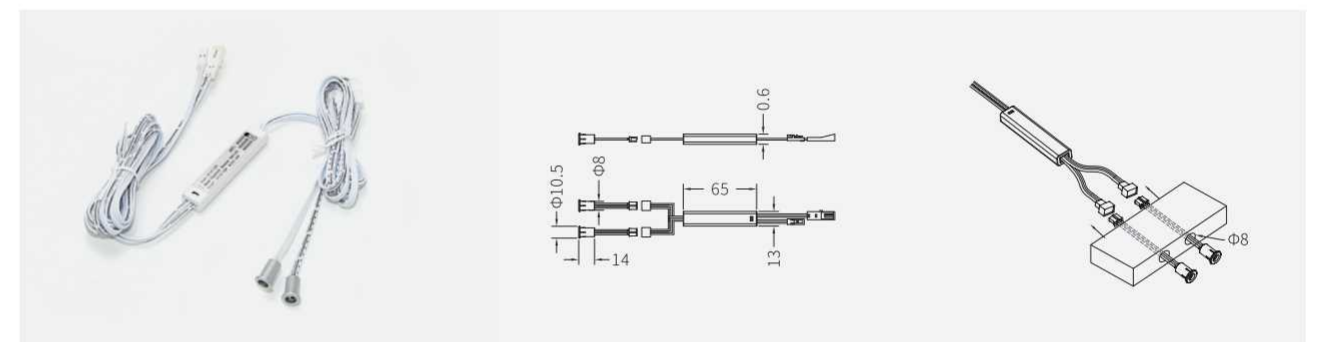
Technical data

Item No.	Input Voltage	Output Voltage	Output Current	Switch mode	Detecting Range	Finish	Size
96619B	12/24VDC	12/24VDC	3A	Door control (double detector)	4-20cm	White,Black	L30×W15×H20mm



Technical data

Item No.	Input Voltage	Output Voltage	Output Current	Switch mode	Detecting Range	Finish	Size
96619S	12/24VDC	12/24VDC	3A	Door control (double detector)	4-20cm	White,Black	L23×W18.5×H7.5mm

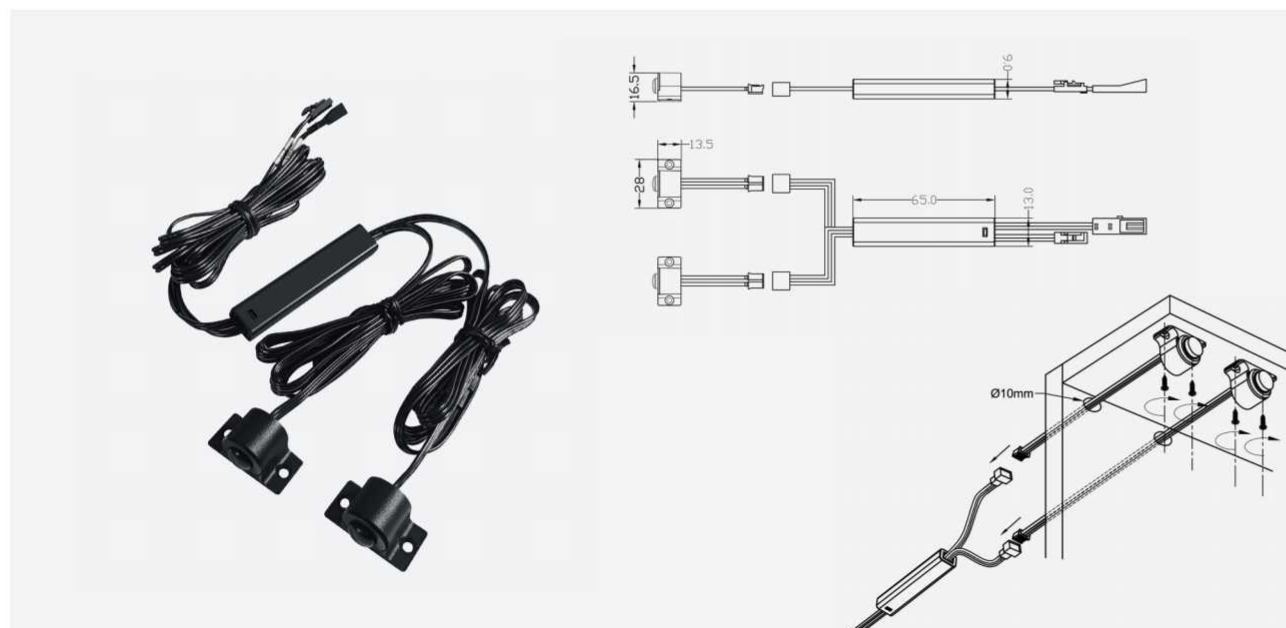


Technical data

Item No.	Input Voltage	Output Voltage	Output Current	Switch mode	Detecting Range	Finish	Size
96619C	12/24VDC	12/24VDC	3A	Door control (double detector)	4-20cm	White,Black	φ13×H10.5mm

96638CB2/96677P2

SEPARATED LOW VOLTAGE SENSOR-DOUBLE DETECTOR PIR SENSOR

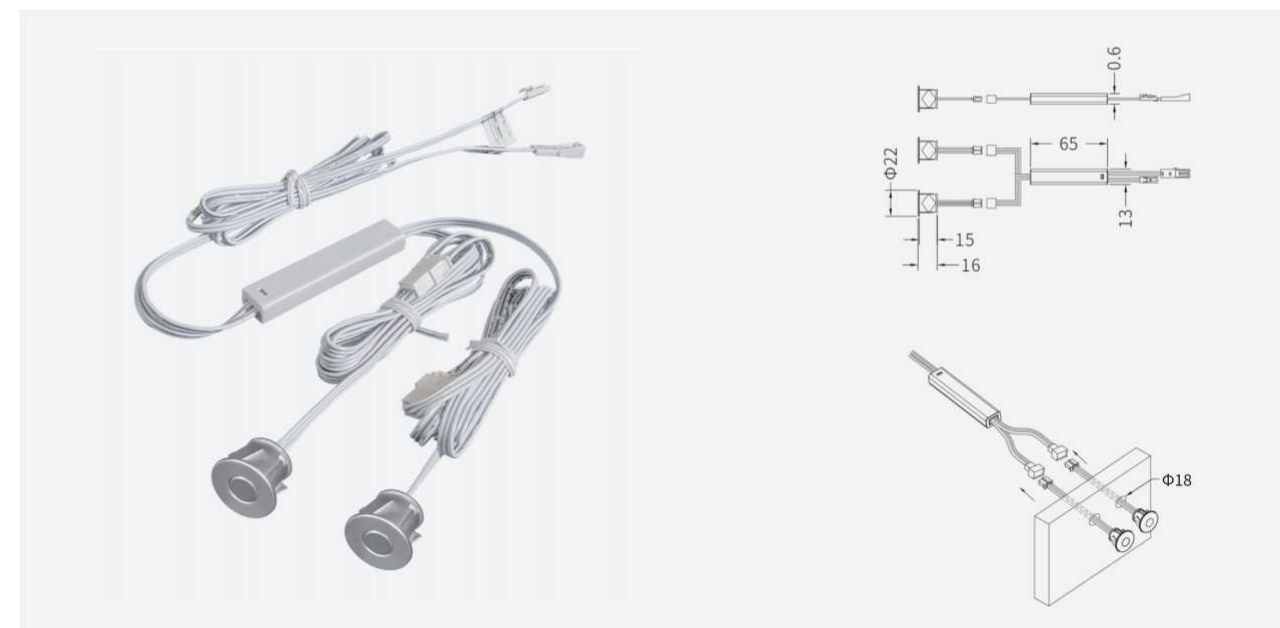


Technical data

Model	Input Voltage	Output Voltage	Output Current	Switch Mode	Detecting Range	Finish	Size
96638CB2	12/24V	12/24V	3A	PIR	1-3M, time delay 45S	White, Black	L28*W13.5*H16.5

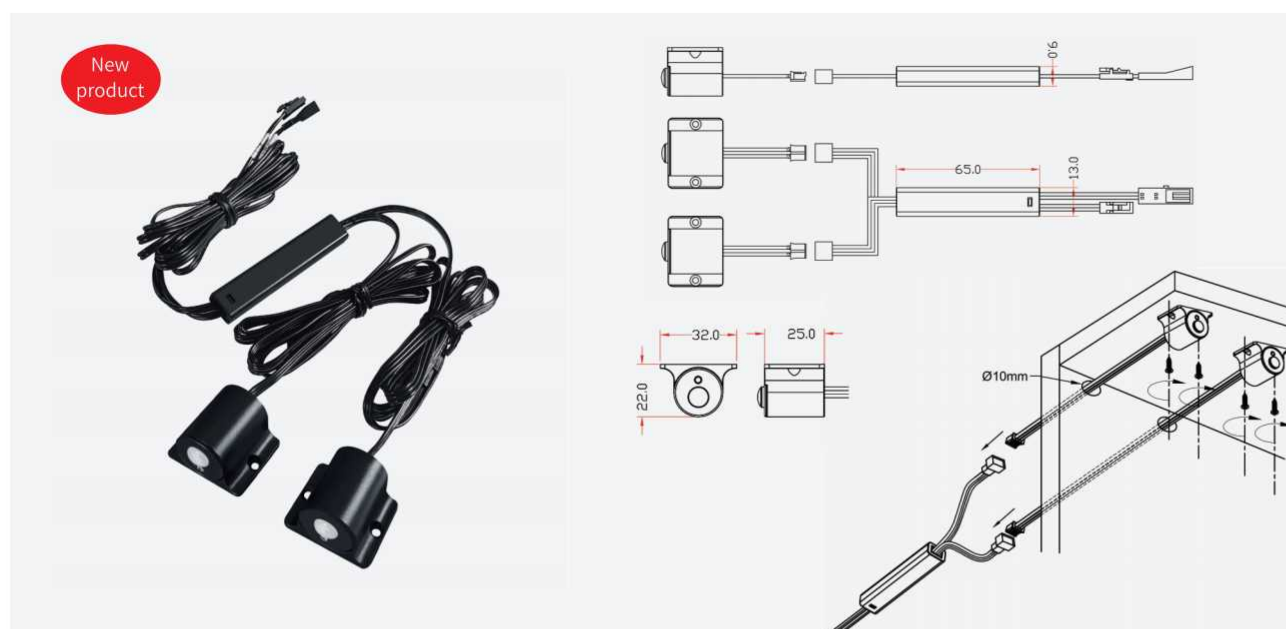
96647D/96678D2

SEPARATED LOW VOLTAGE SENSOR-DOUBLE DETECTOR TOUCH DIMMER



Technical data

Model	Input Voltage	Output Voltage	Output Current	Switch Mode	Detecting Range	Finish	Size
96647D	12/24V	12/24V	3A	Touch dimmer	Touch plate	White, Black, Silver Grey	φ22*H16mm



Technical data

Model	Input Voltage	Output Voltage	Output Current	Switch Mode	Detecting Range	Finish	Size
96677P2	12/24V	12/24V	3A	PIR switch with light sensor	1-3M, time delay 45S	White, Black	L25*W32*H22

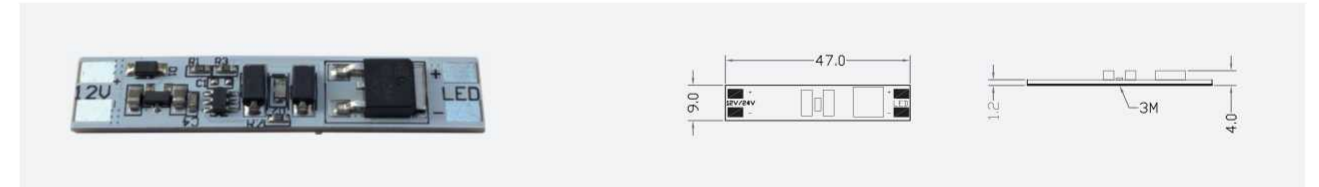


Technical data

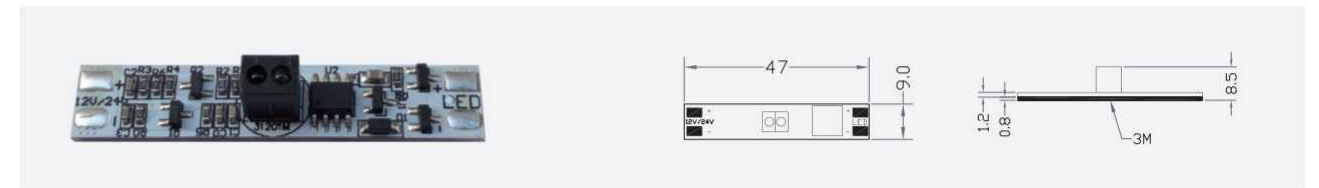
Model	Input Voltage	Output Voltage	Output Current	Switch Mode	Detecting Range	Finish	Size
96678D2	12/24V	12/24V	3A	Touch dimmer	Touch plate	White/Black/Grey Silver grey/Chorme	φ14*H16



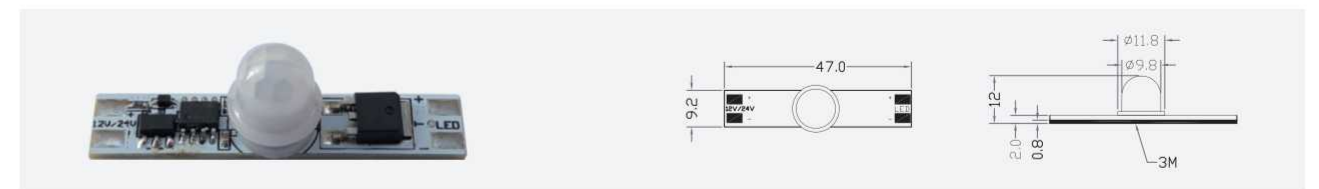
31201D/31201M/96655P/96683MD
 LOW VOLTAGE SENSOR PCB FOR ALUMINUM PROFILE



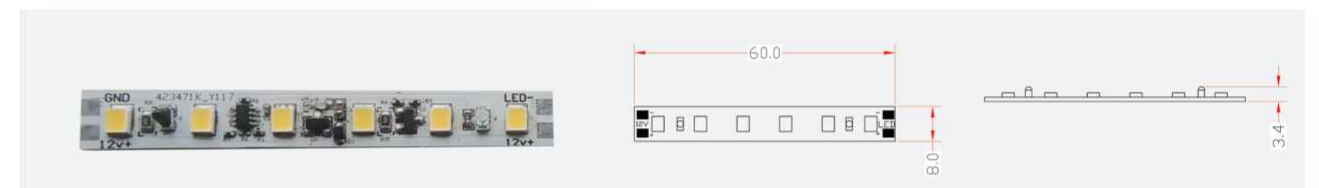
Technical data							
Item No.	Input Voltage	Output Voltage	Output Current	Switch mode	Detecting Range	Finish	Size
31201D	12/24VDC	12/24VDC	5A	Touch dimmer	Touch plate	N/A	L47×W9×H3.7mm



Technical data							
Item No.	Input Voltage	Output Voltage	Output Current	Switch mode	Detecting Range	Finish	Size
31201M	12/24VDC	12/24VDC	5A	Movement sensor	5-20cm	N/A	L47×W9×H8.5mm



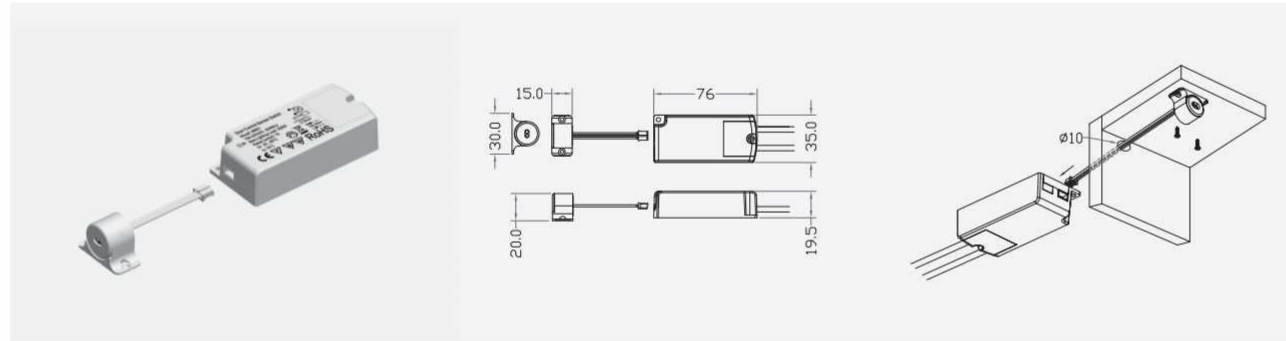
Technical data							
Item No.	Input Voltage	Output Voltage	Output Current	Switch mode	Detecting Range	Finish	Size
96655P	12/24VDC	12/24VDC	5A	PIR	1-3M, time delay 30S	N/A	L47×W9×H12mm



Technical data							
Item No.	Input Voltage	Output Voltage	Output Current	Switch Mode	Detecting Range	Finish	Size
96683MD	12V or 24V	12/24V	3A	Movement switch & dimmer	4-6CM	N/A	L60xW8xH3.4mm

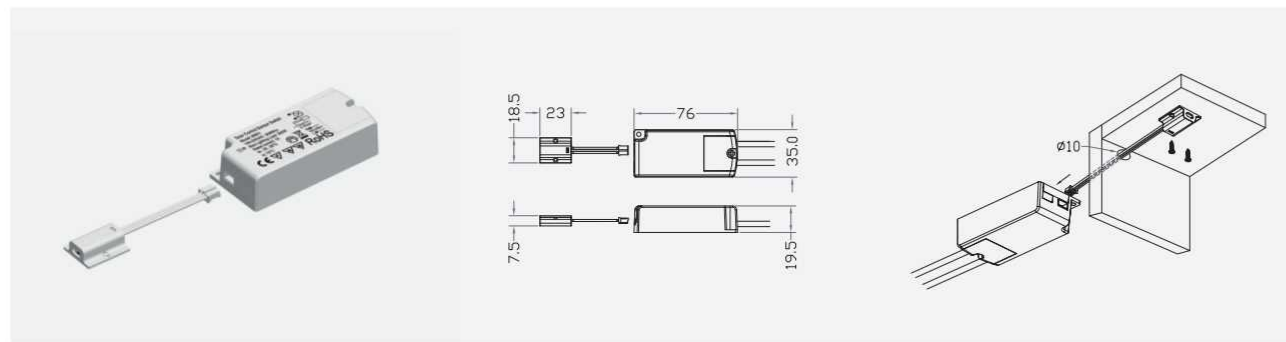
96601B/96601S/96601C

MAINS VOLTAGE SENSOR--DOOR SENSOR



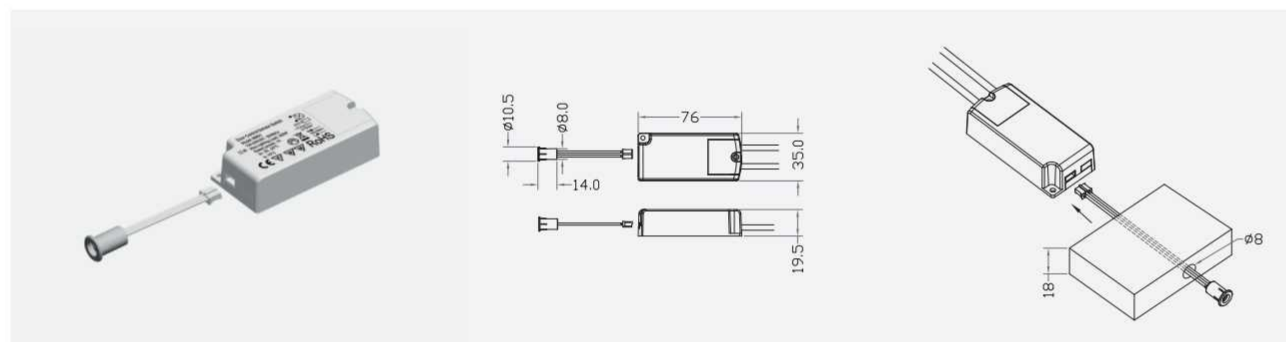
Technical data

Item No.	Input Voltage	Output Voltage	Max. Load	Switch mode	Detecting Range	Finish	Size
96601B	100-240VAC	100-240VAC	250W	Door control	4-20cm	White	L30×W15×H20mm



Technical data

Item No.	Input Voltage	Output Voltage	Max. Load	Switch mode	Detecting Range	Finish	Size
96601S	100-240VAC	100-240VAC	250W	Door control	4-20cm	White	L23×W18.5×H7.5mm

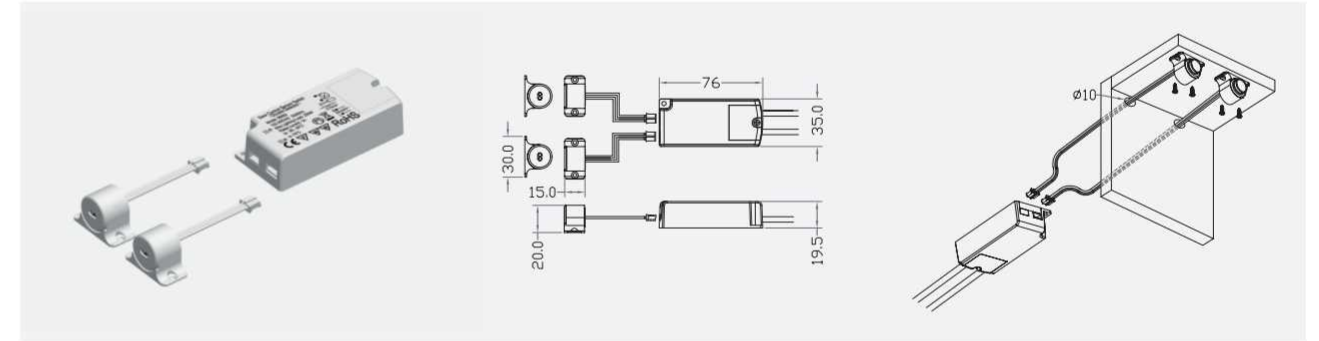


Technical data

Item No.	Input Voltage	Output Voltage	Max. Load	Switch mode	Detecting Range	Finish	Size
96601C	100-240VAC	100-240VAC	250W	Door control	4-20cm	White	L13×H10.5mm

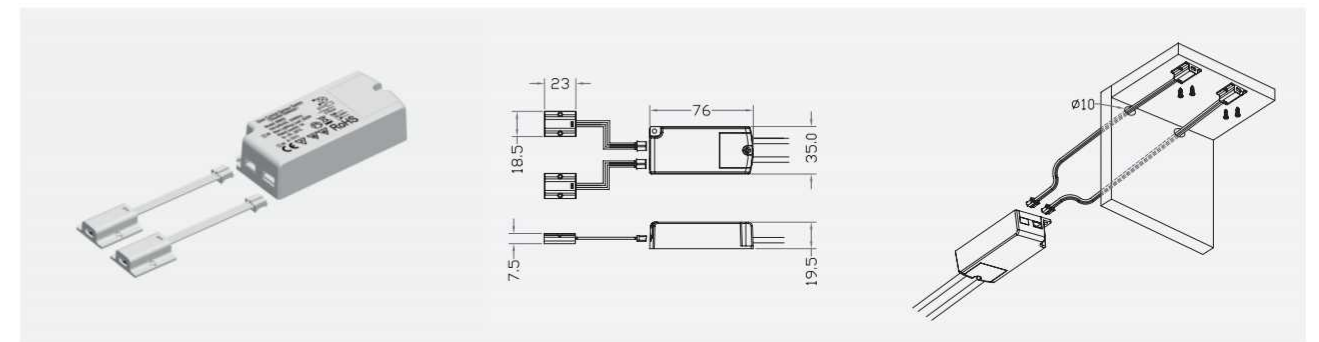
96602B/96602S/96602C

MAINS VOLTAGE SENSOR--DOUBLE DETECTOR DOOR SENSOR



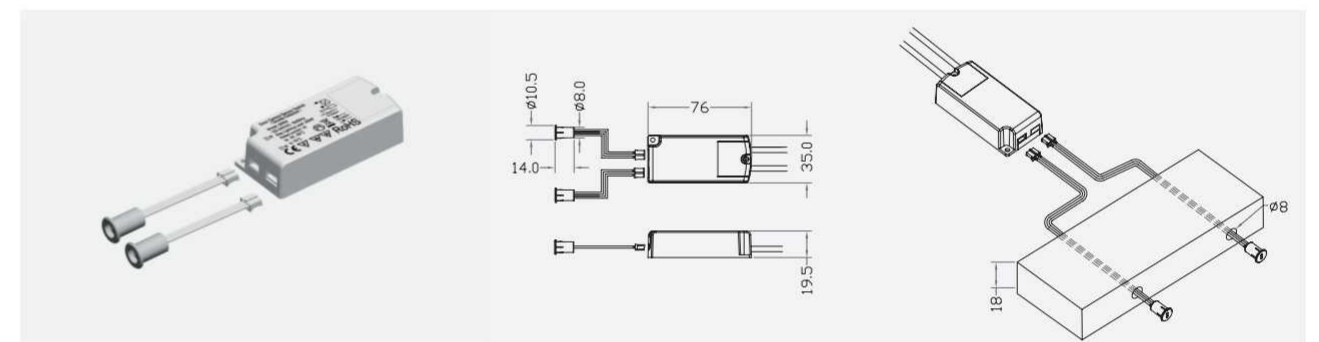
Technical data

Item No.	Input Voltage	Output Voltage	Max. Load	Switch mode	Detecting Range	Finish	Size
96602B	100-240VAC	100-240VAC	250W	Door control (double detector)	4-20cm	White	L30×W15×H20mm



Technical data

Item No.	Input Voltage	Output Voltage	Max. Load	Switch mode	Detecting Range	Finish	Size
96602S	100-240VAC	100-240VAC	250W	Door control (double detector)	4-20cm	White	L23×W18.5×H7.5mm

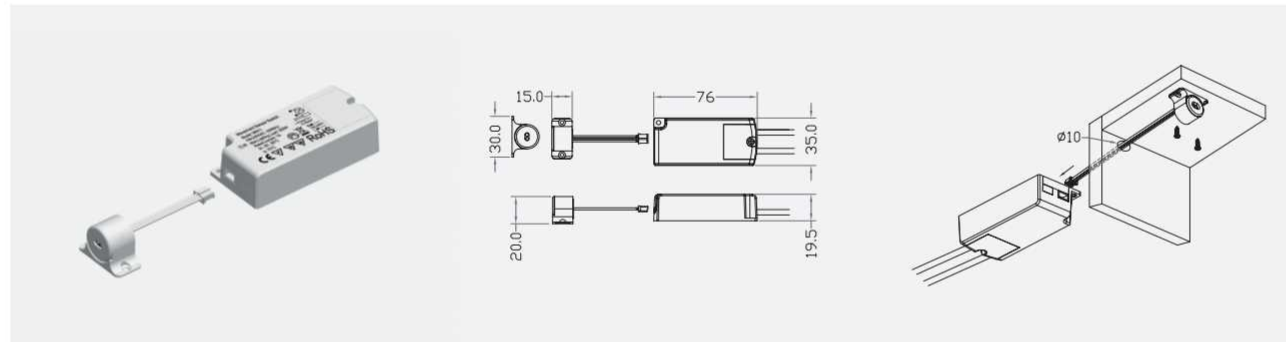


Technical data

Item No.	Input Voltage	Output Voltage	Max. Load	Switch mode	Detecting Range	Finish	Size
96602C	100-240VAC	100-240VAC	250W	Door control (double detector)	4-20cm	White	L13×H10.5mm

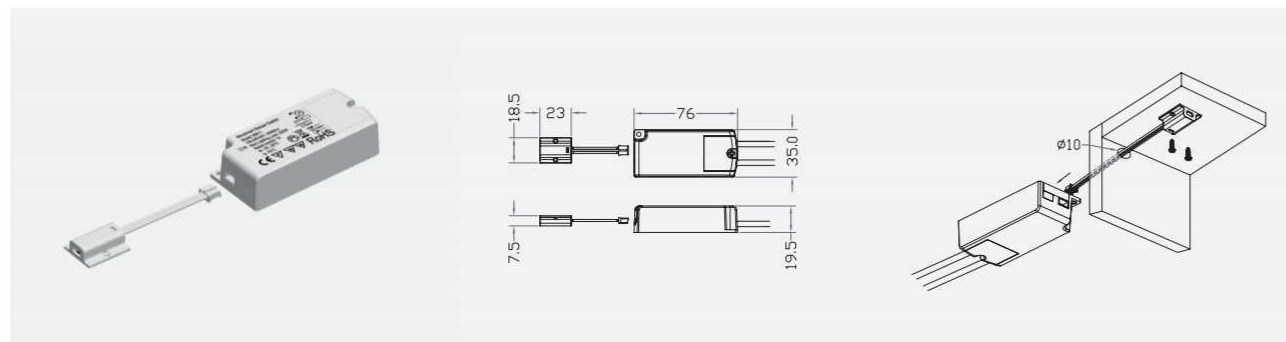
96611B/96611S/96611C

MAINS VOLTAGE SENSOR--MOVEMENT SENSOR



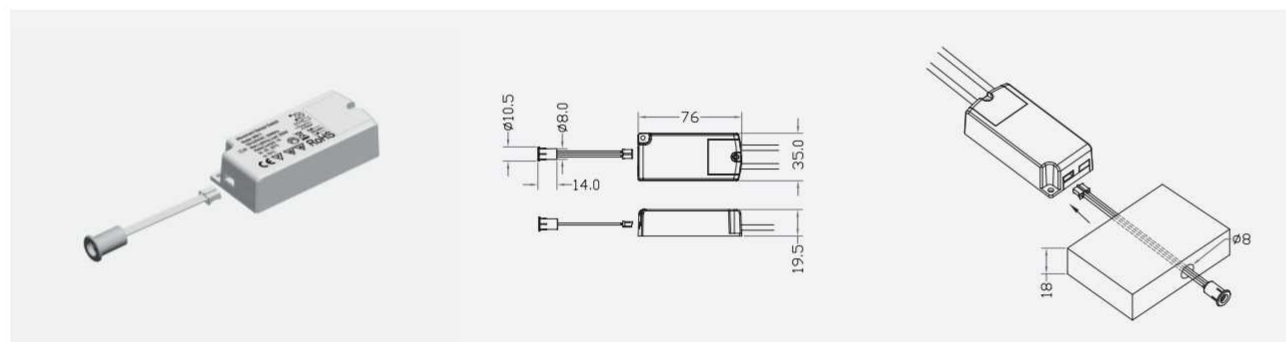
Technical data

Item No.	Input Voltage	Output Voltage	Max. Load	Switch mode	Detecting Range	Finish	Size
96611B	100-240VAC	100-240VAC	250W	Movement sensor	5-20cm	White	L30×W15×H20mm



Technical data

Item No.	Input Voltage	Output Voltage	Max. Load	Switch mode	Detecting Range	Finish	Size
96611S	100-240VAC	100-240VAC	250W	Movement sensor	5-20cm	White	L23×W18.5×H7.5mm

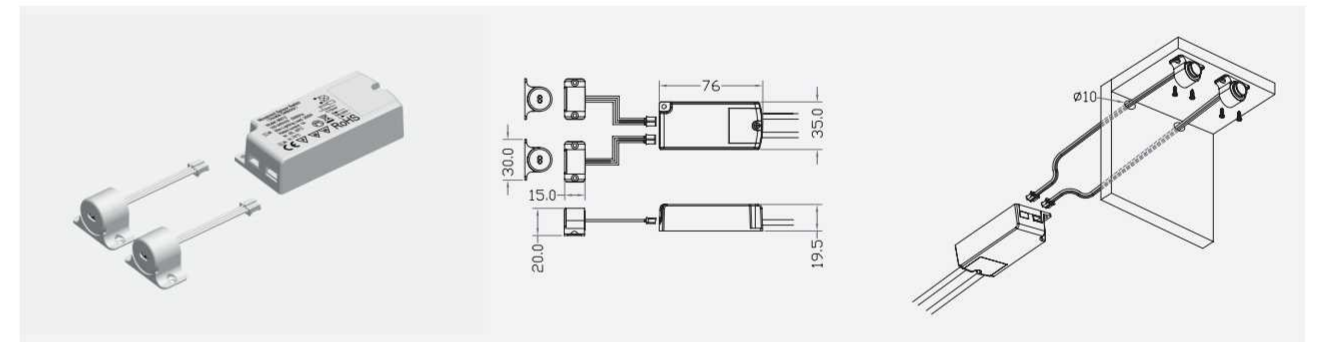


Technical data

Item No.	Input Voltage	Output Voltage	Max. Load	Switch mode	Detecting Range	Finish	Size
96611C	100-240VAC	100-240VAC	250W	Movement sensor	5-20cm	White	H14×H10.5mm

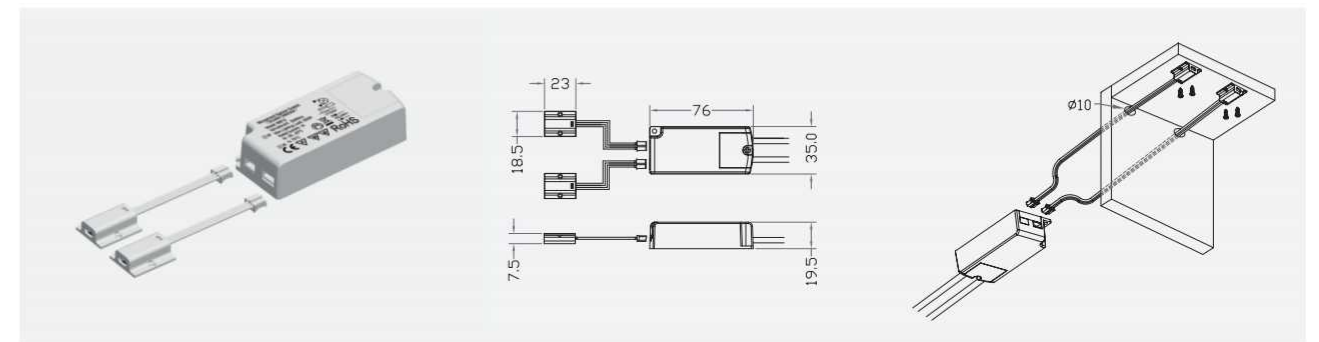
96612B/96612S/96612C

MAINS VOLTAGE SENSOR--DOUBLE DETECTOR MOVEMENT SENSOR



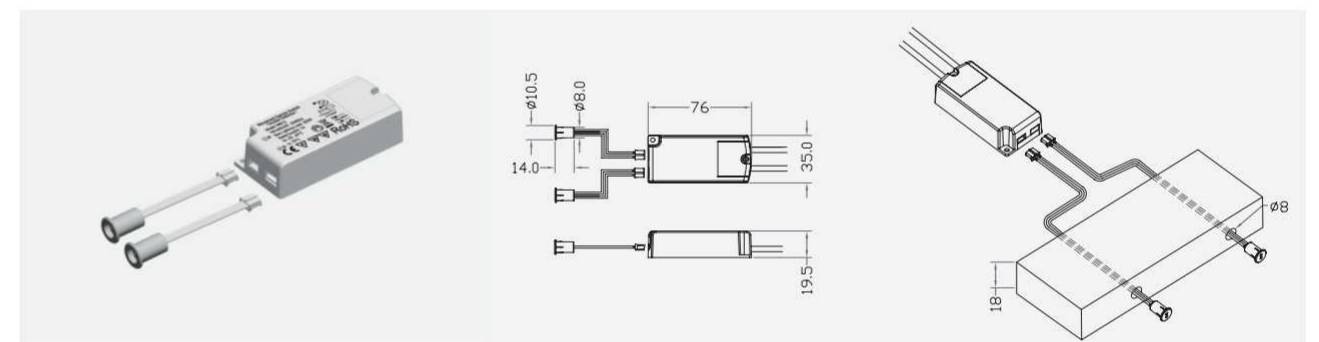
Technical data

Item No.	Input Voltage	Output Voltage	Max. Load	Switch mode	Detecting Range	Finish	Size
96612B	100-240VAC	100-240VAC	250W	Movement sensor (double detector)	5-20cm	White	L30×W15×H20mm



Technical data

Item No.	Input Voltage	Output Voltage	Max. Load	Switch mode	Detecting Range	Finish	Size
96612S	100-240VAC	100-240VAC	250W	Movement sensor (double detector)	5-20cm	White	L23×W18.5×H7.5mm

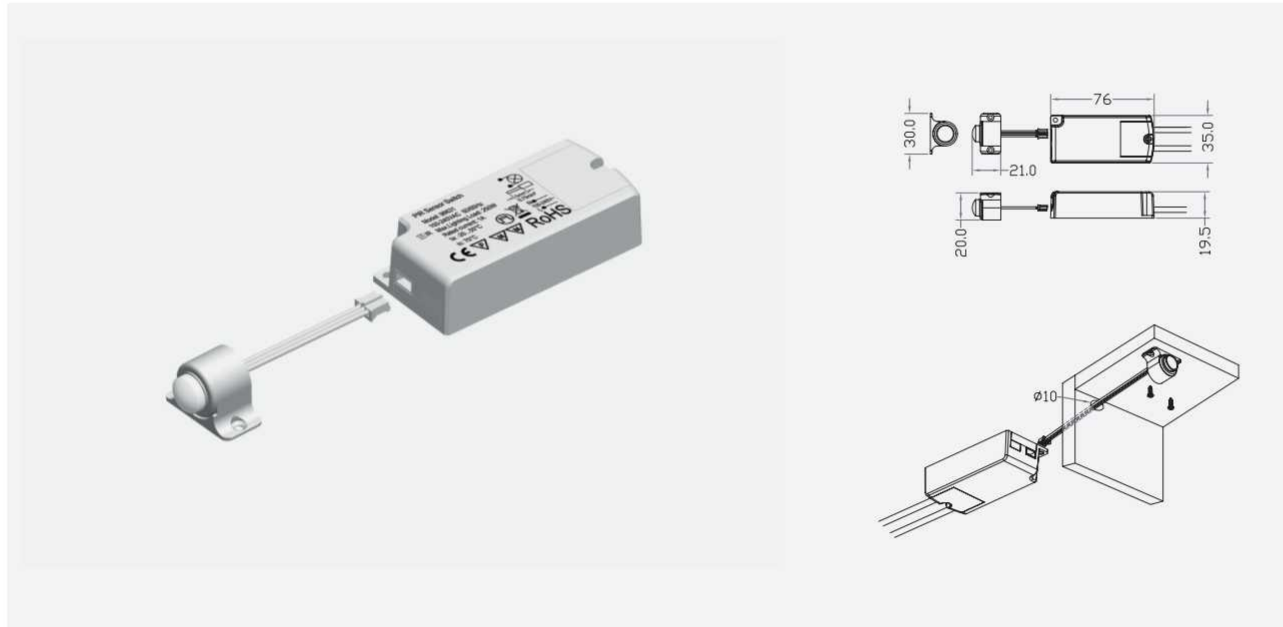


Technical data

Item No.	Input Voltage	Output Voltage	Max. Load	Switch mode	Detecting Range	Finish	Size
96612C	100-240VAC	100-240VAC	250W	Movement sensor (double detector)	5-20cm	White	L14×H10.5mm

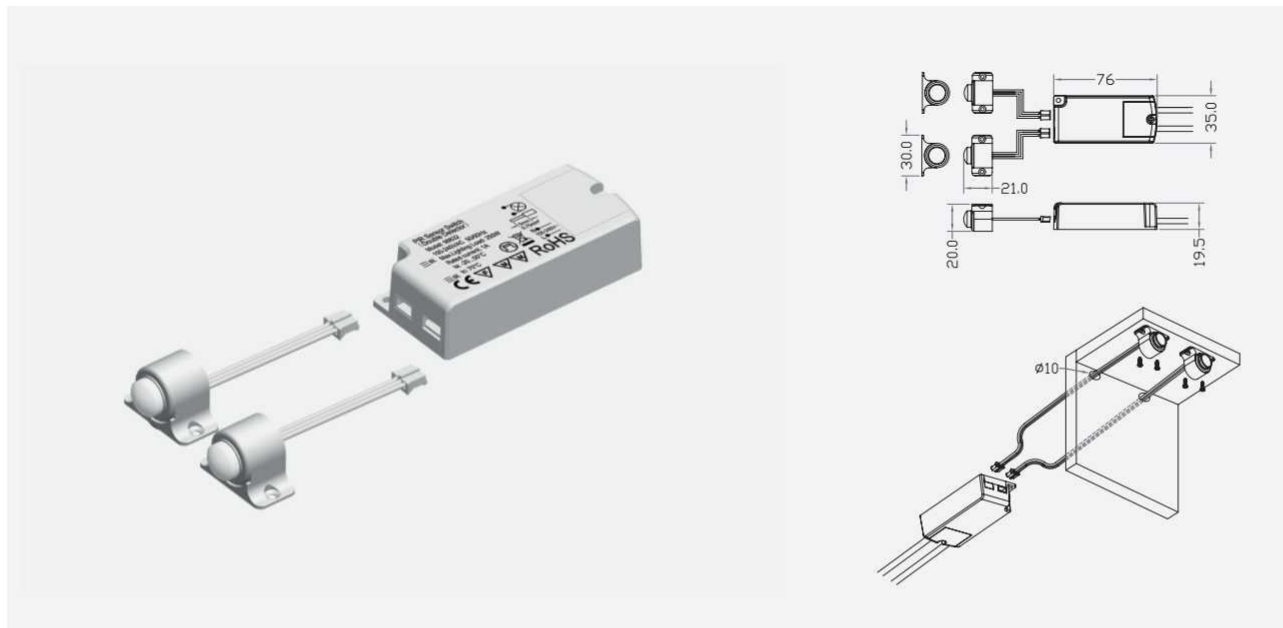
96631/96632

MAINS VOLTAGE SENSOR--PIR SINGLE AND DOUBLE DETECTOR



Technical data

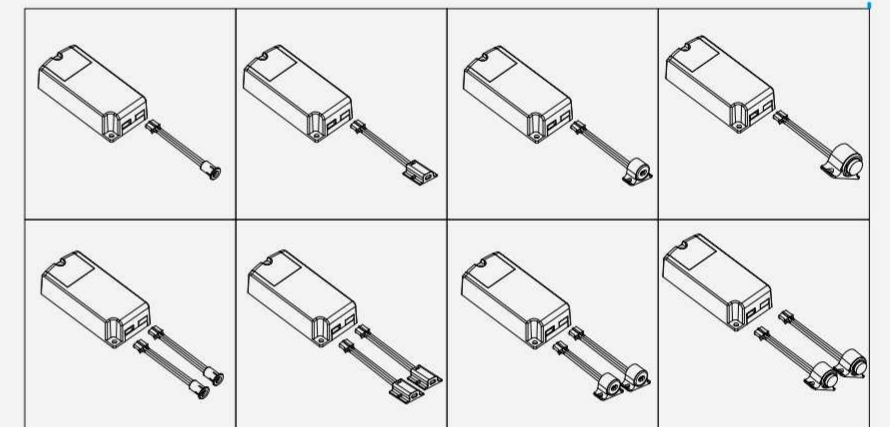
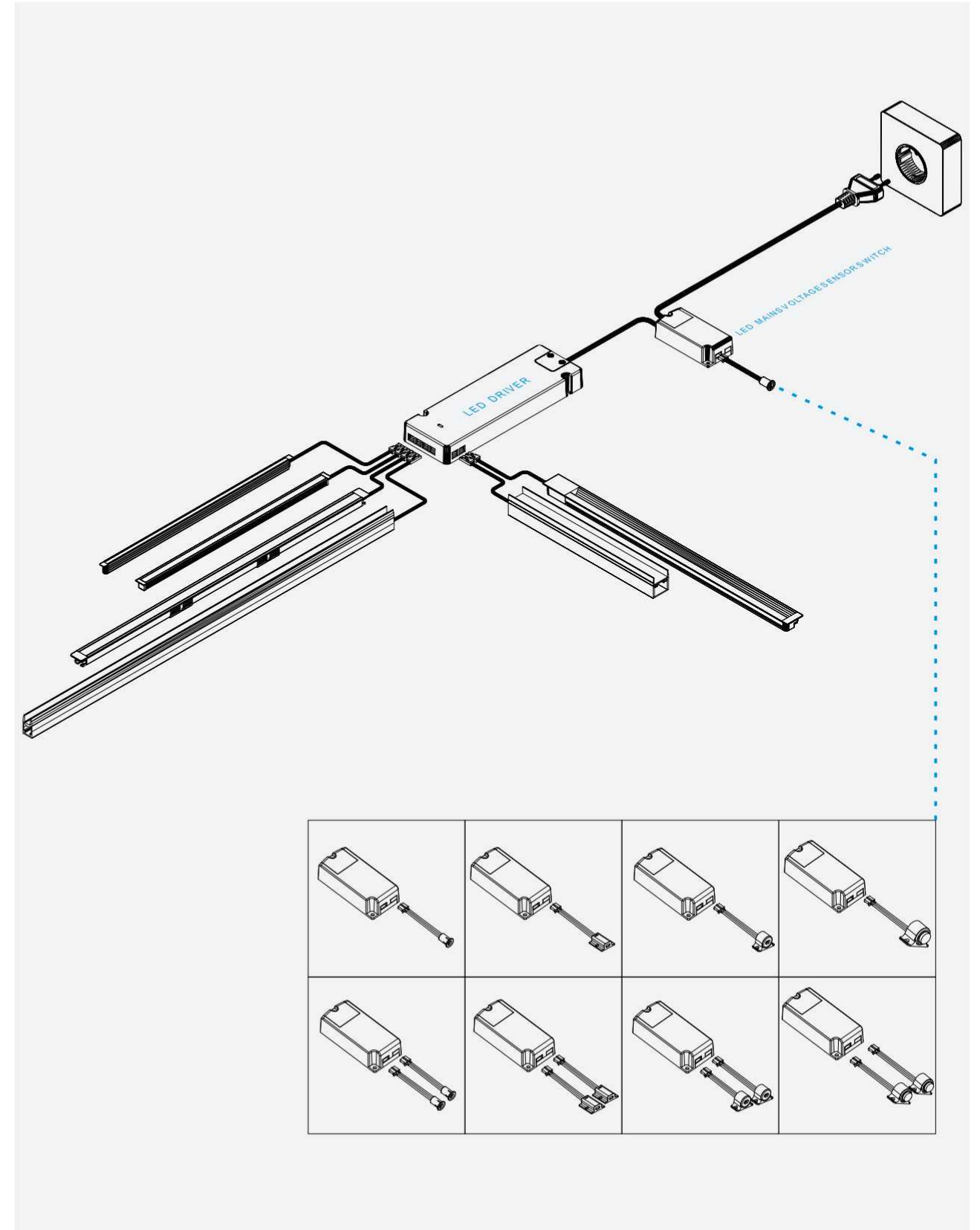
Item No.	Input Voltage	Output Voltage	Max. Load	Switch mode	Detecting Range	Finish	Size
96631	100-240VAC	100-240VAC	250W	PIR	1-3M, time delay 45S	White	L30×W21×H20mm



Technical data

Item No.	Input Voltage	Output Voltage	Max. Load	Switch mode	Detecting Range	Finish	Size
96632	100-240VAC	100-240VAC	250W	PIR(double detecor)	1-3M, time delay 45S	White	L30×W21×H20mm

CONNECTION DIAGRAM

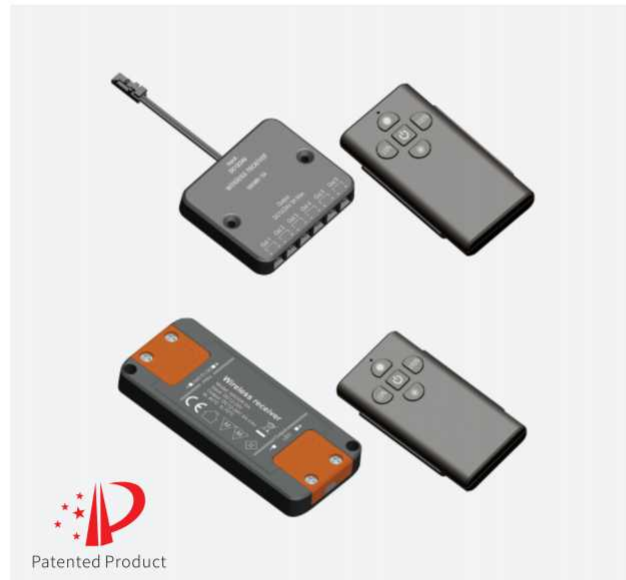


96660/96660-8A

2.4G RF WIRELESS SENSOR-BUTTON REMOTE SWITCH & DIMMER

Product Features

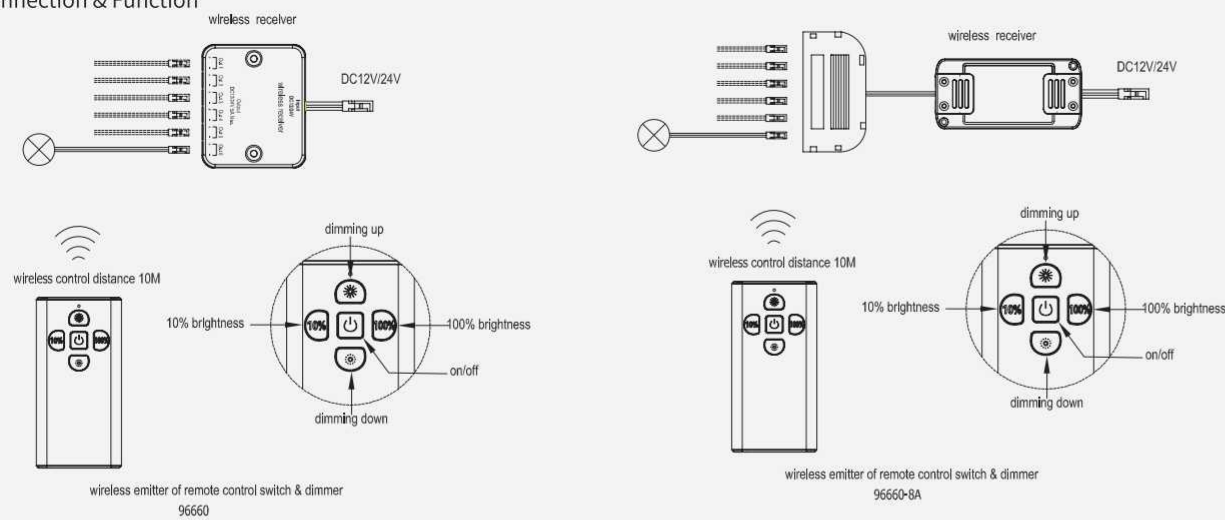
- Designed based on Class III 2.4G RF for wireless control
- Optional current for 5A(built-in socket for Top system plug & play) and 8A(for other plug system)
- Wireless control distance 10M
- Powered by CR2032 battery
- Free multiple pairing --1 receiver can be paired with 8 emitters, 1 emitter can be paired with max. multiple receivers.
- Button remote control switch & dimmer



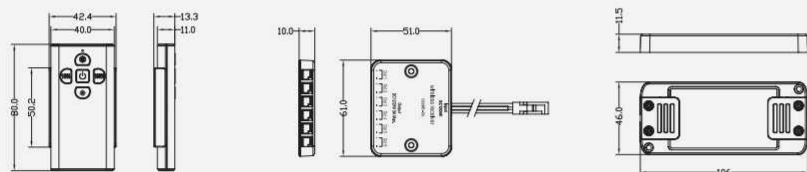
Technical data

Item No.	Input Voltage	Output Voltage	Output Current	Switch mode	Finish	Size
96660	12/24VDC	12/24VDC	5A	Button remote control switch & dimmer	Black	emitter L80×W40×H11mm receiver L60×W50×H10mm
96660-8A	12/24VDC	12/24VDC	8A	Button remote control switch & dimmer	Black	emitter L80×W40×H11mm receiver L106×W46×H11.5mm

Connection & Function



Dimension Drawing



96668D/96668D-8A

2.4G RF WIRELESS SENSOR-TOUCH SWITCH & DIMMER

Product Features

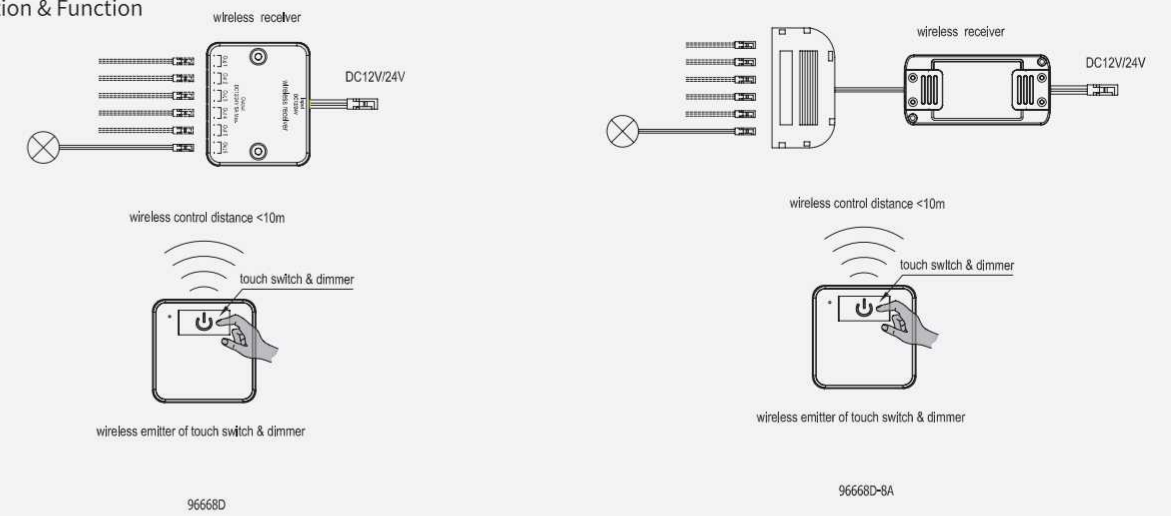
- Designed based on Class III 2.4G RF for wireless control
- Optional current for 5A(built-in socket for Top system plug & play) and 8A(for other plug system)
- Wireless control distance 10M
- Powered by CR2032 battery
- Free multiple pairing --1 receiver can be paired with 8 emitters, 1 emitter can be paired with max. multiple receivers.
- Touch switch & dimmer



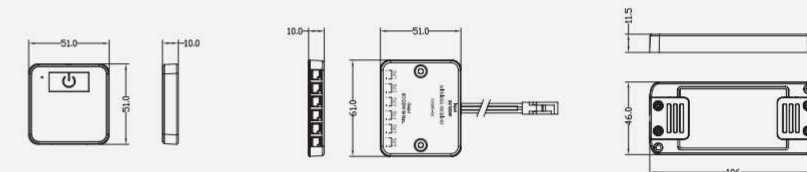
Technical data

Item No.	Input Voltage	Output Voltage	Output Current	Switch mode	Finish	Size
96668D	12/24VDC	12/24VDC	5A	Touch switch & dimmer	Black	emitter L51×W51×H10mm receiver L60×W50×H10mm
96668D-8A	12/24VDC	12/24VDC	8A	Touch switch & dimmer	Black	emitter L51×W51×H10mm receiver L106×W46×H11.5mm

Connection & Function



Dimension Drawing



96669/96669-8A

2.4G RF WIRELESS SENSOR-TOUCH SWITCH & DIMMER

Product Features

- Designed based on Class III 2.4G RF for wireless control
- Optional current for 5A(built-in socket for Top system plug & play) and 8A(for other plug system)
- Wireless control distance 10M
- Powered by CR2032 battery
- Free multiple pairing --1 receiver can be paired with 8 emitters, 1 emitter can be paired with max. multiple receivers.
- Touch switch & dimmer

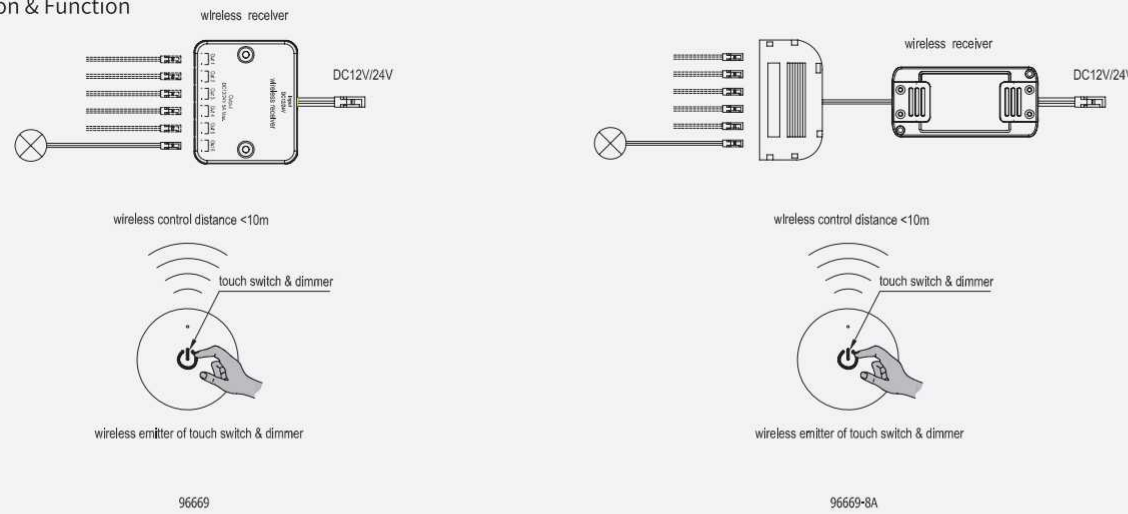


Patented Product

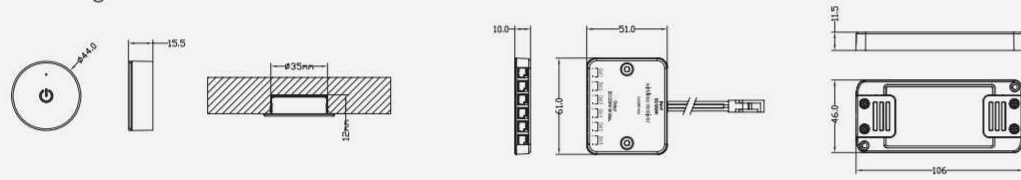
Technical data

Item No.	Input Voltage	Output Voltage	Output Current	Switch mode	Finish	Size
96669	12/24VDC	12/24VDC	5A	Touch switch & dimmer	Black	emitter $\phi 44 \times H15.5\text{mm}$ receiver L60 \times W50 \times H10mm
96669-8A	12/24VDC	12/24VDC	8A	Touch switch & dimmer	Black	emitter $\phi 44 \times H15.5\text{mm}$ receiver L106 \times W46 \times H11.5mm

Connection & Function



Dimension Drawing



96680/96680-8A

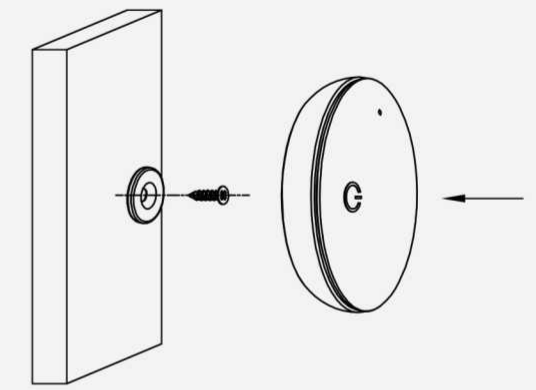
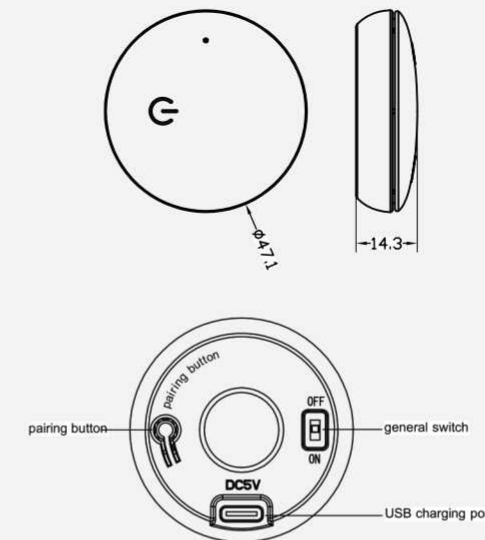
2.4G RF WIRELESS SENSOR-PRESS BUTTON SWITCH & DIMMER



Patented Product New product

Product Features

- Powered by rechargeable lithium battery 440mAh
- Door switch & movement switch/dimmer
- Surface mounted with magnet piece



Technical data

Model	Input Voltage	Output Voltage	Output Current	Switch Mode	Finish	Size
96680	12/24V	12/24V	5A	Press button switch & dimmer	Black/Silver grey	emitter $\phi 47 \times H14.3\text{mm}$ receiver L60 \times W50 \times H10mm
96680-8A	12/24V	12/24V	8A	Press button switch & dimmer	Black/Silver grey	emitter $\phi 47 \times H14.3\text{mm}$ receiver L106 \times W46 \times H11.5mm

96666PD/96666PD-8A

2.4G RF WIRELESS SENSOR-PIR SWITCH & TOUCH DIMMER

Product Features

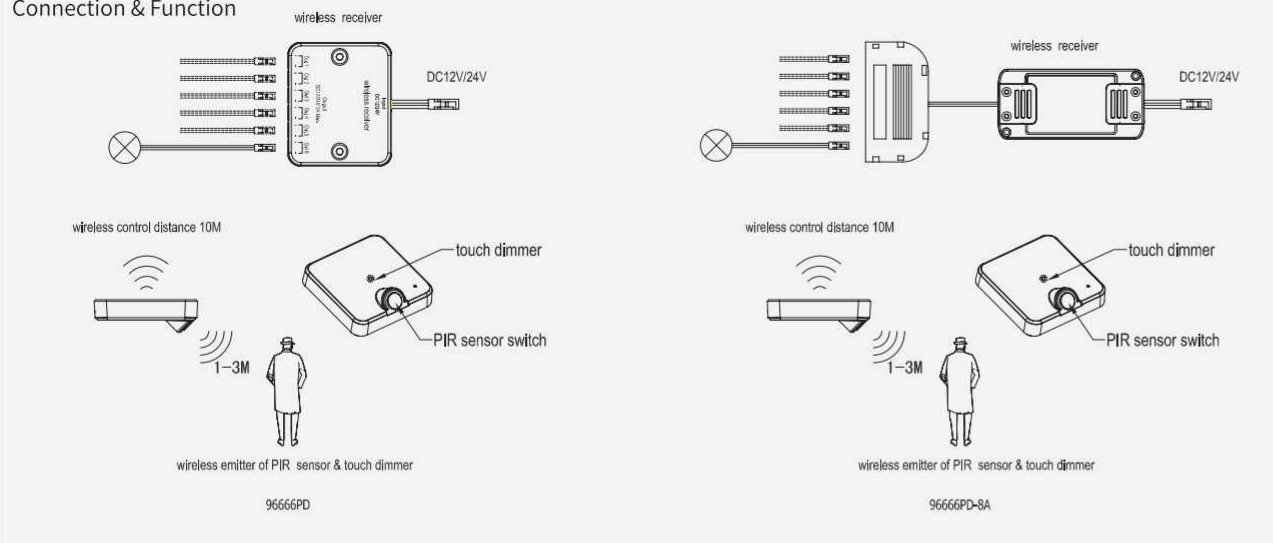
- Designed based on Class III 2.4G RF for wireless control
- Optional current for 5A(built-in socket for Top system plug & play) and 8A(for other plug system)
- Wireless control distance 10M
- Powered by CR2032 battery
- Free multiple pairing --1 receiver can be paired with 8 emitters, 1 emitter can be paired with max. multiple receivers.
- PIR switch & dimmer, time delay 45S



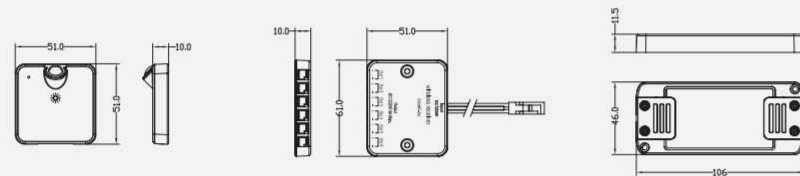
Technical data

Item No.	Input Voltage	Output Voltage	Output Current	Switch mode	Finish	Size
96666PD	12/24VDC	12/24VDC	5A	PIR switch & dimmer	Black	emitter L51×W51×H10mm receiver L60×W50×H10mm
96666PD-8A	12/24VDC	12/24VDC	8A	PIR switch & dimmer	Black	emitter L51×W51×H10mm receiver L106×W46×H11.5mm

Connection & Function

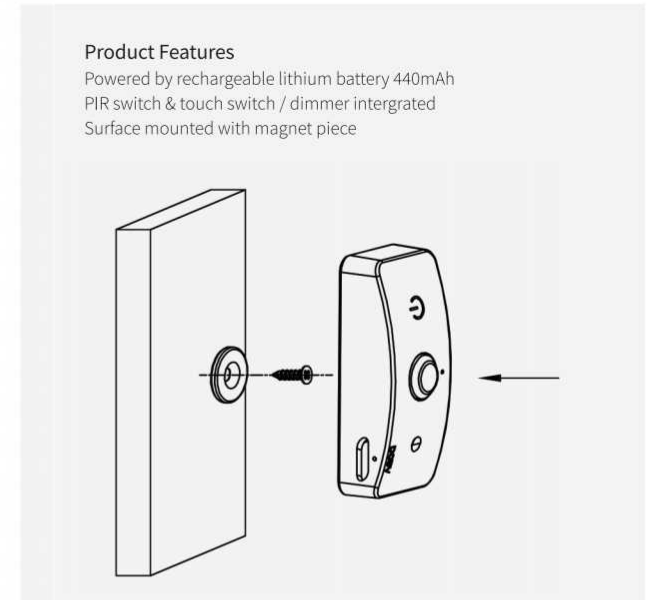
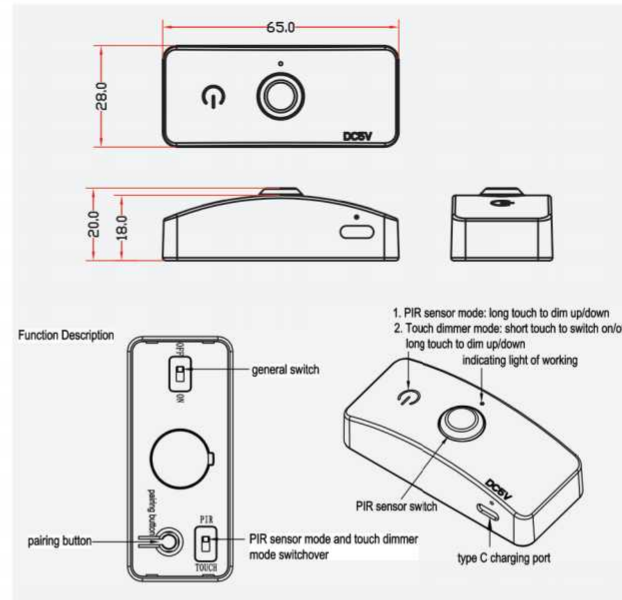


Dimension Drawing



96675P/96675P-8A

2.4G RF WIRELESS SENSOR-PIR SWITCH & TOUCH SWITCH / DIMMER INTERGRATED

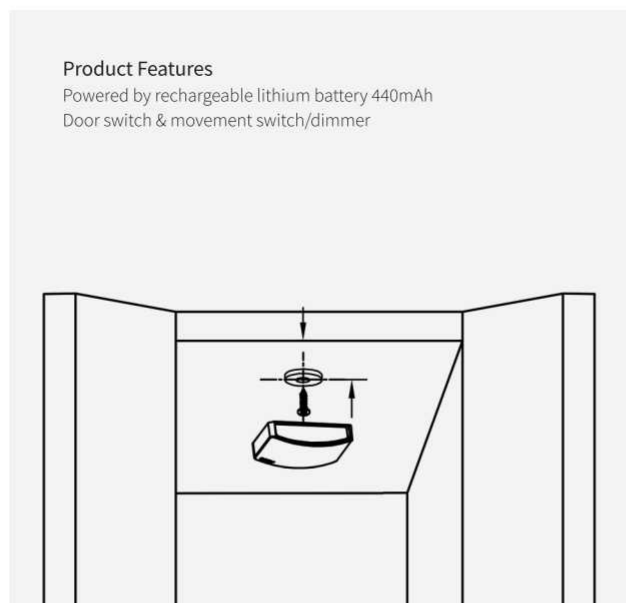
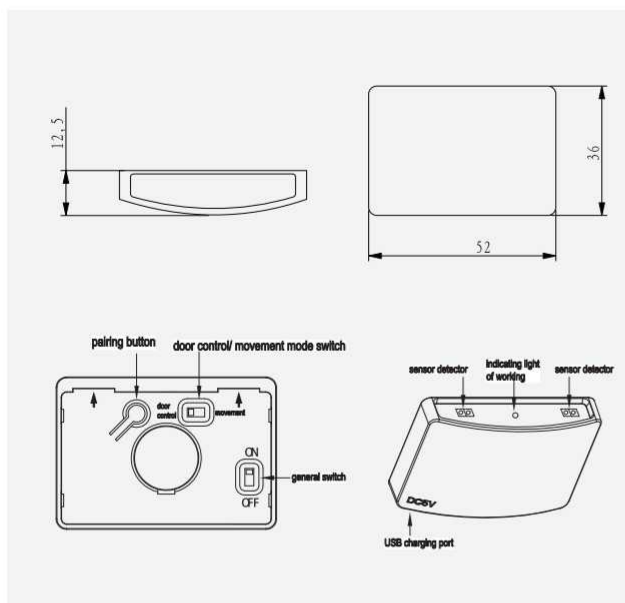


Technical data

Model	Input Voltage	Output Voltage	Output Current	Switch Mode	Finish	Size
96675P	12/24V	12/24V	5A	PIR switch & dimmer	Black/Silver grey	emitter L65*W28*H20mm receiver L60*W50*H10mm
96675P-8A	12/24V	12/24V	8A	PIR switch & dimmer	Black/Silver grey	emitter L65*W28*H20mm receiver L106*W46*H11.5mm

96675/96675-8A

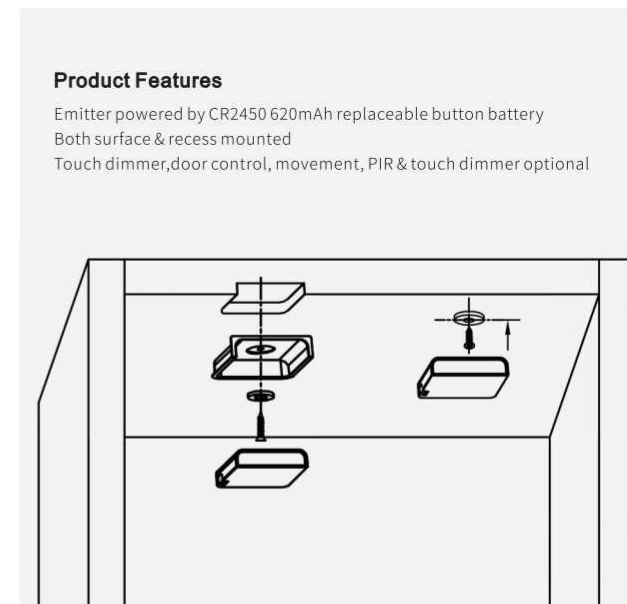
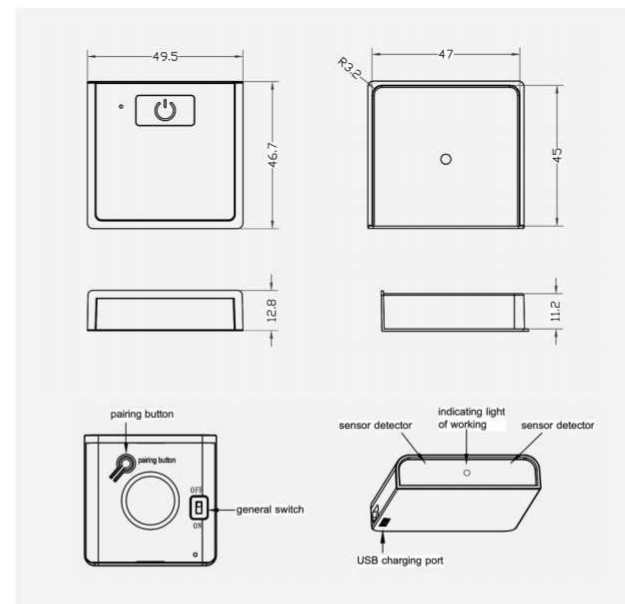
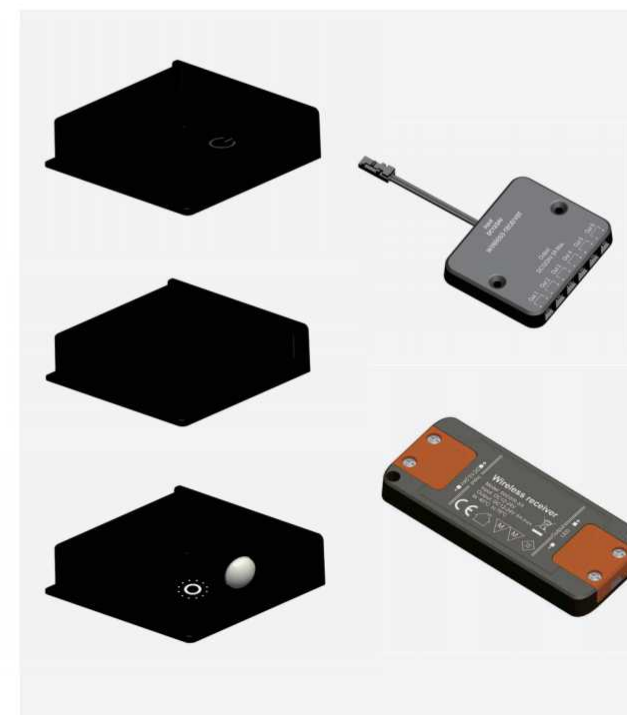
2.4G RF WIRELESS SENSOR-DOOR SWITCH & MOVEMENT SWITCH/DIMMER INTERGRATED



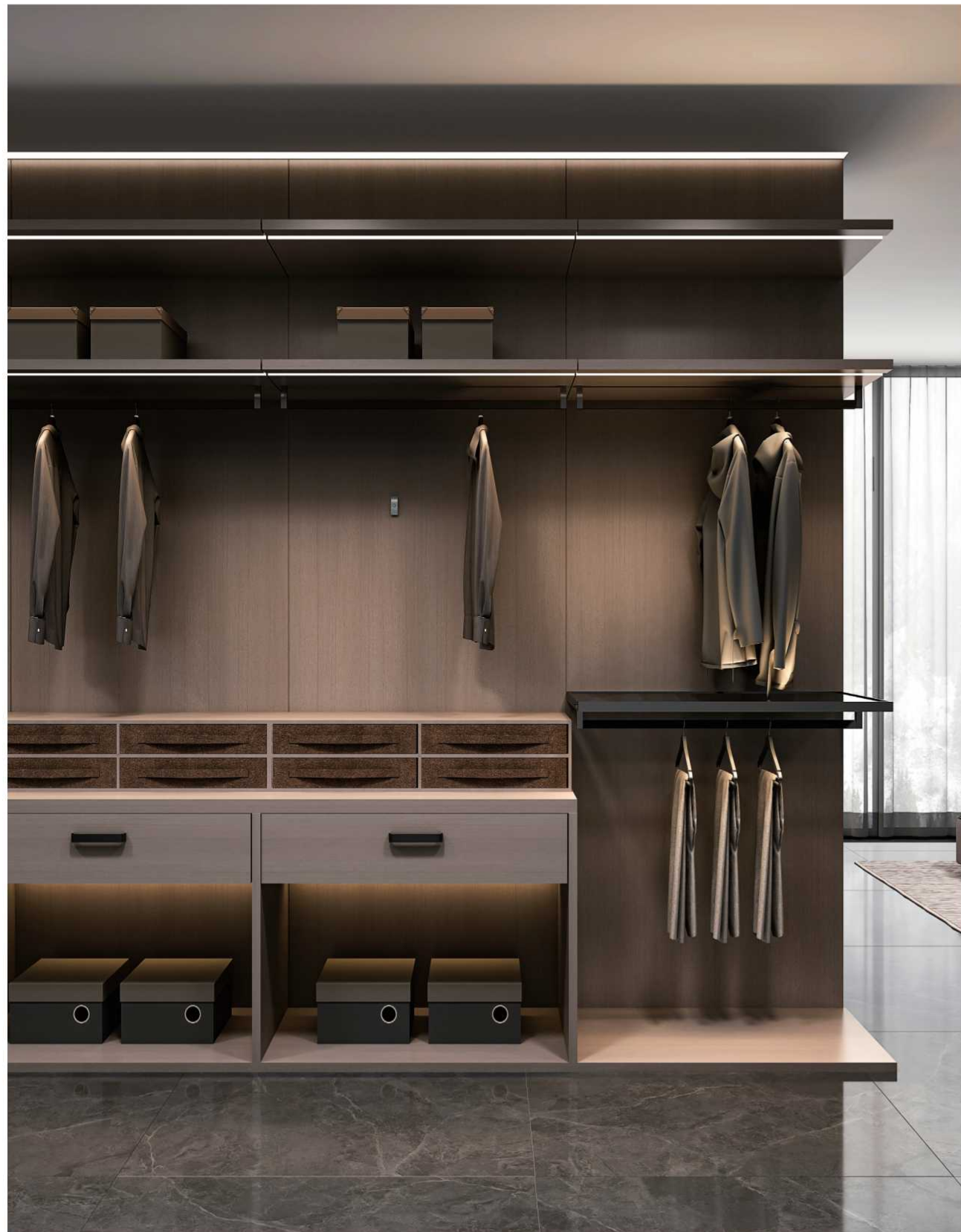
Technical data						
Model	Input Voltage	Output Voltage	Output Current	Switch Mode	Finish	Size
96675	12/24V	12/24V	5A	Door switch & movement switch/dimmer	Black/Silver grey	emitter L52*W36*H12.5mm receiver L60*W50*H10mm
96675-8A	12/24V	12/24V	8A	Door switch & movement switch/dimmer	Black/Silver grey	emitter L52*W36*H12.5mm receiver L106*W46*H11.5mm

96686D/96686W/96686M/96686P

2.4G RF WIRELESS SENSOR-DOOR CONTROL SWITCH



Technical data					
Item No.	Input Voltage	Switch Mode	Detecting Range	Finish	Size
96686D	DC 3V(CR 2450)	Touch dimmer	Touch plate	black/silver gray	49.5*46.7*12.8
96686W	DC 3V(CR 2450)	Door control	6-10cm	black/silver gray	49.5*46.7*12.8
96686M	DC 3V(CR 2450)	Movement sensor	4-6CM	black/silver gray	49.5*46.7*12.8
96686P	DC 3V(CR 2450)	PIR	1-3M	black/silver gray	49.5*46.7*19.2



96660C/96660C-8A

2.4G RF WIRELESS SENSOR-BUTTON REMOTE SWITCH & DIMMER & CCT

Product Features

Designed based on Class III 2.4G RF for wireless control

Optional current of 5A(built-in socket for Top system plug & play) and 8A(for other plug system)

Wireless control distance 10M

Powered by CR2032 battery

Free multiple pairing --1 receiver can be paired with 8 emitters, 1 emitter can be paired with max. multiple receivers.

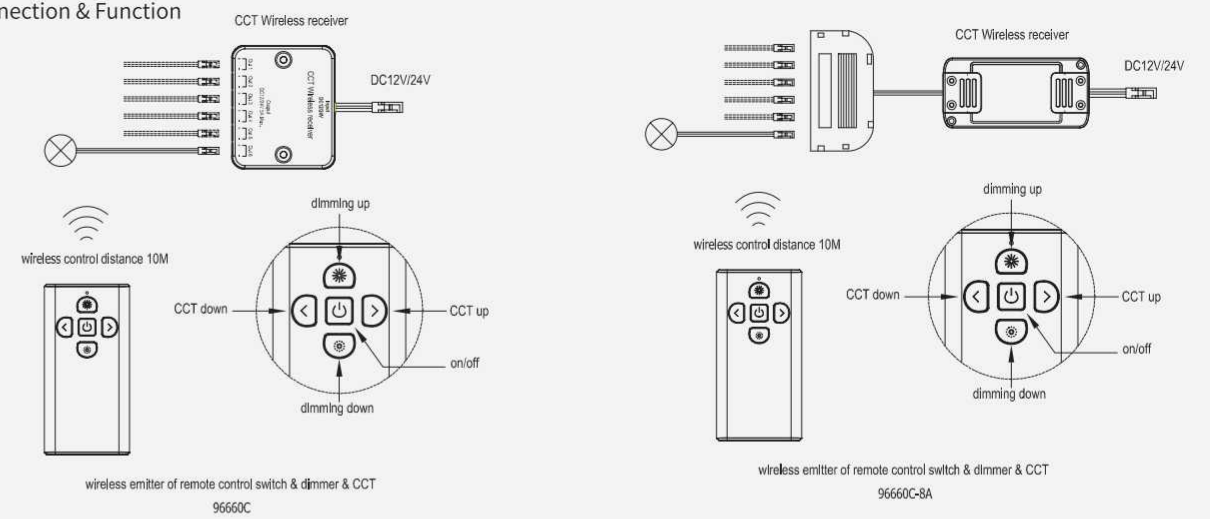
Button remote control switch & dimmer & CCT color change



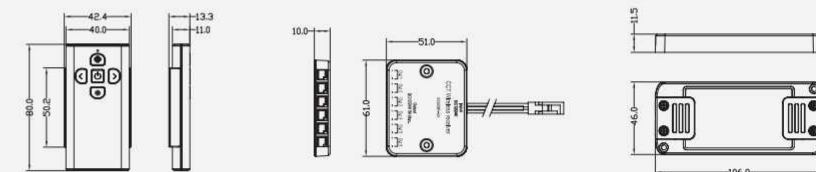
Technical data

Item No.	Input Voltage	Output Voltage	Output Current	Switch mode	Finish	Size
96660C	12/24VDC	12/24VDC	5A	Button remote control switch & dimmer & CCT	Black	emitter L80×W40×H11mm receiver L60×W50×H10mm
96660C-8A	12/24VDC	12/24VDC	8A	Button remote control switch & dimmer & CCT	Black	emitter L80×W40×H11mm receiver L106×W46×H11.5mm

Connection & Function



Dimension Drawing



96668CD/96668CD-8A

2.4G RF WIRELESS SENSOR-TOUCH SWITCH & DIMMER & CCT

Product Features

- Designed based on Class III 2.4G RF for wireless control
- Optional current for 5A(built-in socket for Top system plug & play) and 8A(for other plug system)
- Wireless control distance 10M
- Powered by CR2032 battery
- Free multiple pairing --1 receiver can be paired with 8 emitters, 1 emitter can be paired with max. multiple receivers.
- Touch switch & dimmer & CCT color change



Patented Product

96666CPD/96666CPD-8A

2.4G RF WIRELESS SENSOR-PIR SWITCH & TOUCH DIMMER & CCT

Product Features

- Designed based on Class III 2.4G RF for wireless control
- Optional current for 5A(built-in socket for Top system plug & play) and 8A(for other plug system)
- Wireless control distance 10M
- Powered by CR2032 battery
- Free multiple pairing --1 receiver can be paired with 8 emitters, 1 emitter can be paired with max. multiple receivers.
- PIR switch (time delay 45S) & touch dimmer & CCT color change



Patented Product

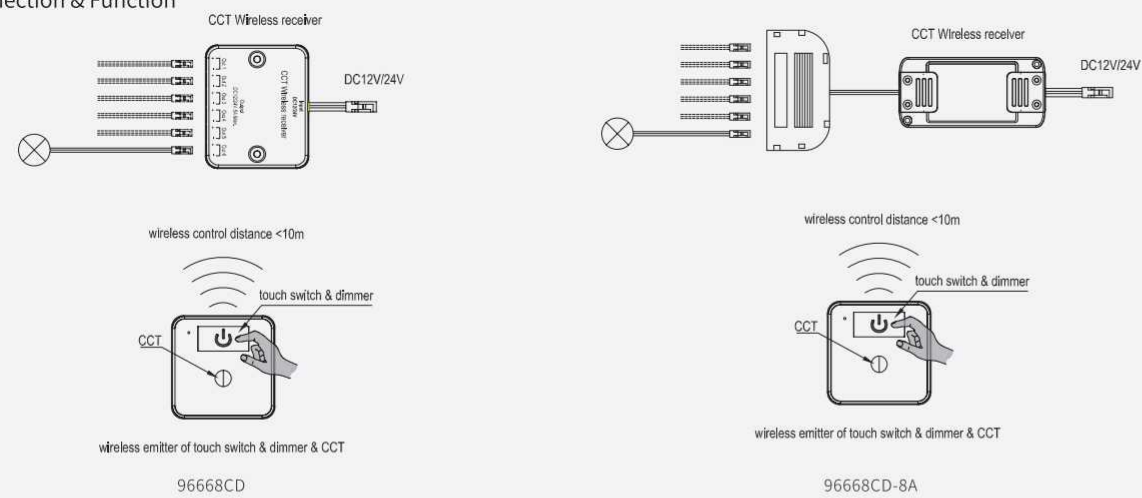
Technical data

Item No.	Input Voltage	Output Voltage	Output Current	Switch mode	Finish	Size
96668CD	12/24VDC	12/24VDC	5A	Touch switch & dimmer & CCT	Black	emitter L51×W51×H10mm receiver L60×W50×H10mm
96668CD-8A	12/24VDC	12/24VDC	8A	Touch switch & dimmer & CCT	Black	emitter L51×W51×H10mm receiver L106×W46×H11.5mm

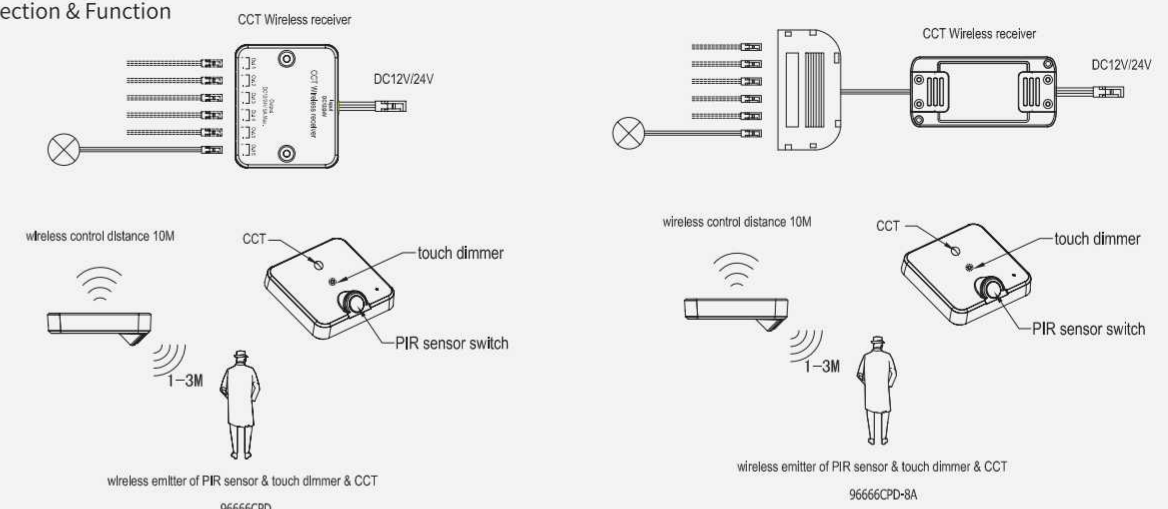
Technical data

Item No.	Input Voltage	Output Voltage	Output Current	Switch mode	Finish	Size
96666CPD	12/24VDC	12/24VDC	5A	PIR switch & dimmer & CCT	Black	emitter L51×W51×H10mm receiver L60×W50×H10mm
96666CPD-8A	12/24VDC	12/24VDC	8A	PIR switch & dimmer & CCT	Black	emitter L51×W51×H10mm receiver L106×W46×H11.5mm

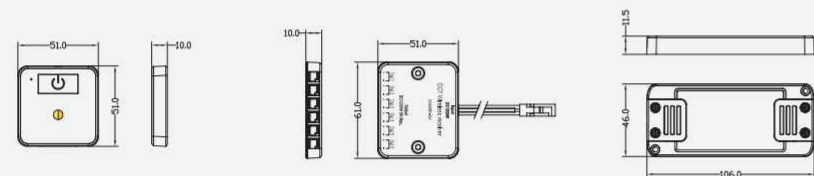
Connection & Function



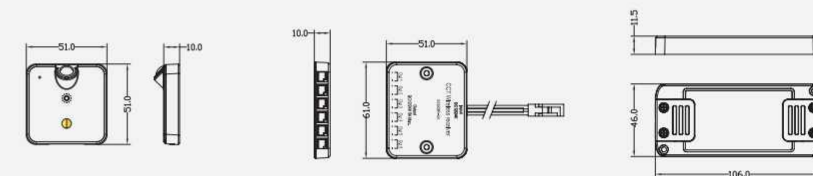
Connection & Function



Dimension Drawing

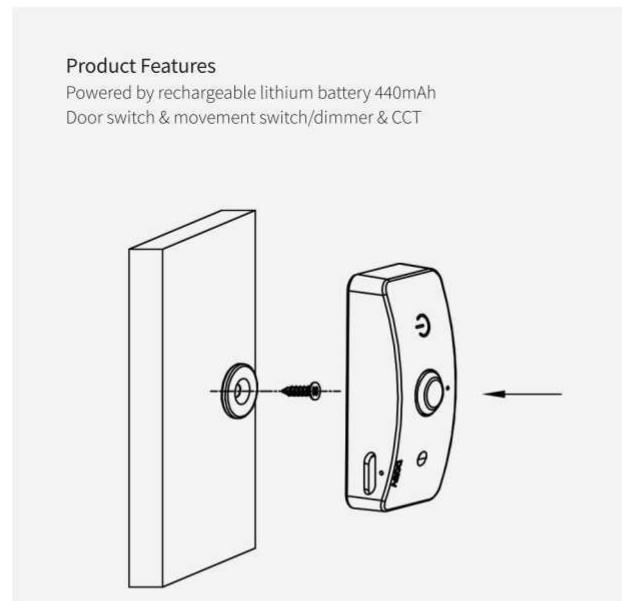
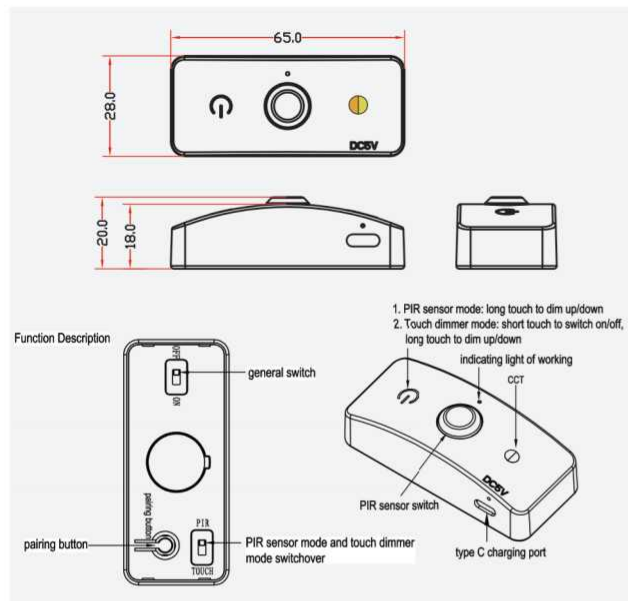


Dimension Drawing



96675CP/96675CP-8A

2.4G RF WIRELESS SENSOR-PIR switch & Touch switch/dimmer & CCT



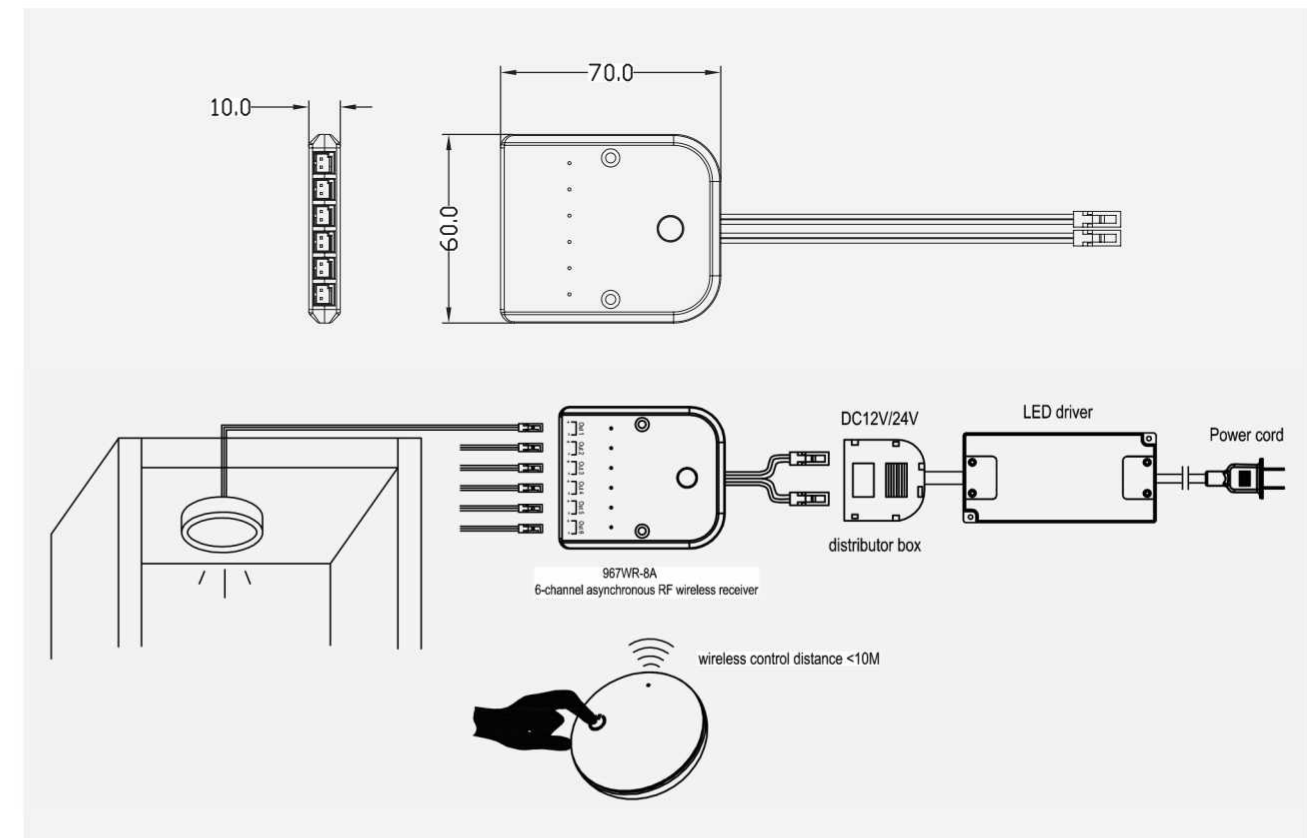
Technical data						
Model	Input Voltage	Output Voltage	Output Current	Switch Mode	Finish	Size
96675CP	12/24V	12/24V	5A	PIR switch & Touch switch/dimmer & CCT	Black/Silver grey	emitter L65*W28*H20mm receiver L60*W50*H10mm
96675CP-8A	12/24V	12/24V	8A	PIR switch & Touch switch/dimmer & CCT	Black/Silver grey	emitter L65*W28*H20mm receiver L106*W46*H11.5mm

967WR-8A

2.4G RF WIRELESS RECEIVER-6 CHANNEL ASYNCHRONOUS



The 6-channel asynchronous RF wireless receiver could be paired and used with different function of wireless emitters of LUMILAND.



Technical data						
Model	Input Voltage	Output Voltage	Output Current	Switch Mode	Finish	Size
967WR-8A	12/24V	12/24V	8A	N/A	Black	L70*W60*H10mm

NOTE.

